

---

# BinaryLight:1 Device Template Version 1.01

For UPnP™ Version 1.0

Status: Standardized DCP

Date: November 23, 2003

---

This Standardized DCP has been adopted as a Standardized DCP by the Steering Committee of the UPnP™ Forum, pursuant to Section 2.1(c)(ii) of the UPnP™ Forum Membership Agreement. UPnP™ Forum Members have rights and licenses defined by Section 3 of the UPnP™ Forum Membership Agreement to use and reproduce the Standardized DCP in UPnP™ Compliant Devices. All such use is subject to all of the provisions of the UPnP™ Forum Membership Agreement.

THE UPNP™ FORUM TAKES NO POSITION AS TO WHETHER ANY INTELLECTUAL PROPERTY RIGHTS EXIST IN THE STANDARDIZED DCPS. THE STANDARDIZED DCPS ARE PROVIDED "AS IS" AND "WITH ALL FAULTS". THE UPNP™ FORUM MAKES NO WARRANTIES, EXPRESS, IMPLIED, STATUTORY, OR OTHERWISE WITH RESPECT TO THE STANDARDIZED DCPS, INCLUDING BUT NOT LIMITED TO ALL IMPLIED WARRANTIES OF MERCHANTABILITY, NON-INFRINGEMENT AND FITNESS FOR A PARTICULAR PURPOSE, OF REASONABLE CARE OR WORKMANLIKE EFFORT, OR RESULTS OR OF LACK OF NEGLIGENCE.

© 2000 - 2003 Contributing Members of the UPnP™ Forum. All Rights Reserved.

Authors	Company
Christoph Sahn	EIBA s.c.
Hans J. Langels	Siemens AG

## Contents

<b>1. OVERVIEW AND SCOPE.....</b>	<b>3</b>
<b>2. DEVICE DEFINITIONS .....</b>	<b>4</b>
2.1. DEVICE TYPE.....	4
2.2. DEVICE MODEL .....	4
2.2.1. <i>Description of Device Requirements</i> .....	4
2.3. THEORY OF OPERATION.....	5
<b>3. XML DEVICE DESCRIPTION.....</b>	<b>6</b>
<b>4. TEST.....</b>	<b>7</b>

## List of Tables

Table 1: Device Requirements .....	4
------------------------------------	---

## 1. Overview and Scope

This device template is compliant with the Universal Plug and Play Architecture Version 1.0 and Version 1.0 of the UPnP Standard Device Template. It defines a device type referred to herein as BinaryLight:0.11.

BinaryLight:1 is a simple representation of a bulb or any other kind of light emitting device that can be switched completely on or off.

BinaryLight:1 provides the following functionality:

- Switching the light source on or off

This device template does not address:

- Changing the intensity of the light source in intermediate steps

## 2. Device Definitions

### 2.1. Device Type

The following device type identifies a device that is compliant with this template:

urn:[schemas-upnp-org:device:BinaryLight:1](#)

The shorthand BinaryLight:1 is used herein to refer to this device type.

### 2.2. Device Model

Products that expose devices of the type urn:schemas-upnp-org:device:[BinaryLight:1](#) must implement minimum version numbers of all required embedded devices and services specified in the table below.

**Table 1: Device Requirements**

DeviceType	Root	Req. or Opt. <sup>1</sup>	ServiceType	Req. or Opt. <sup>1</sup>	Service ID <sup>2</sup>
BinaryLight:1	yes	R	SwitchPower:1	R	<u>SwitchPower</u>
			<i>Non-standard services embedded by an UPnP vendor go here.</i>	X	<i>TBD</i>
<i>Non-standard devices embedded by an UPnP vendor go here.</i>	<i>TBD</i>	X	<i>TBD</i>	<i>TBD</i>	<i>TBD</i>

<sup>1</sup> R = Required, O = Optional, X = Non-standard.

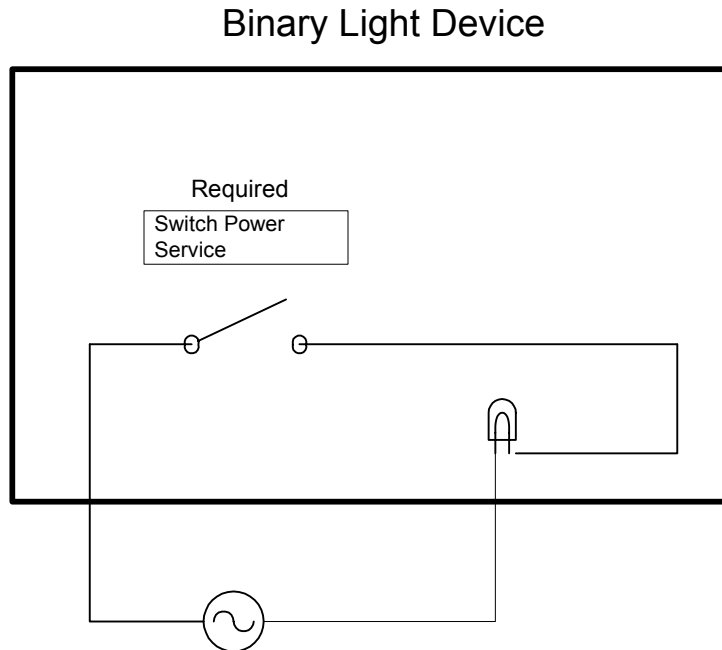
<sup>2</sup> Prefixed by urn:[upnp-org:serviceId:](#) .

#### 2.2.1. Description of Device Requirements

The SwitchPower:1 service is required exactly once.

## 2.3. Theory of Operation

The binary lighting control device is comprised of a Switch Power Service.



**Figure 1: Graphical model of Binary Light Device**

### 3. XML Device Description

```

<?xml version="1.0"?>
<root xmlns="urn:schemas-upnp-org:device-1-0">
  <specVersion>
    <major>1</major>
    <minor>0</minor>
  </specVersion>
  <URLBase>base URL for all relative URLs</URLBase>
  <device>
    <deviceType>urn:schemas-upnp-org:device:BinaryLight:0.9</deviceType>
    <friendlyName>short user-friendly title</friendlyName>
    <manufacturer>manufacturer name</manufacturer>
    <manufacturerURL>URL to manufacturer site</manufacturerURL>
    <modelDescription>long user-friendly title</modelDescription>
    <modelName>model name</modelName>
    <modelName>model number</modelName>
    <modelURL>URL to model site</modelURL>
    <serialNumber>manufacturer's serial number</serialNumber>
    <UDN>uuid:UUID</UDN>
    <UPC>Universal Product Code</UPC>
    <iconList>
      <icon>
        <mimetype>image/format</mimetype>
        <width>horizontal pixels</width>
        <height>vertical pixels</height>
        <depth>color depth</depth>
        <url>URL to icon</url>
      </icon>
      XML to declare other icons, if any, go here
    </iconList>
    <serviceList>
      <service>
        <serviceType>urn:schemas-upnp-org:service:SwitchPower:1</serviceType>
        <serviceId>urn:upnp-org:serviceId:SwitchPower:1</serviceId>
        <SCPDURL>URL to service description</SCPDURL>
        <controlURL>URL for control</controlURL>
        <eventSubURL>URL for eventing</eventSubURL>
      </service>
      Declarations for other services added by UPnP vendor (if any) go here
    </serviceList>
    <deviceList>
      Description of embedded devices added by UPnP vendor (if any) go here
    </deviceList>
    <presentationURL>URL for presentation</presentationURL>
  </device>
</root>

```

## 4. Test

Syntactical testing is performed by the UPnP test tool based on the XML description as provided in Section 3.

The working committee and the implementers have come to the conclusion that further test descriptions e.g. for semantical testing do not provide a higher level of interoperability.

Thus the XML description is deemed to be sufficient for testing of devices that implement this template and further test descriptions are not provided by this template.