



INTERNATIONAL TELECOMMUNICATION UNION

ITU-T

TELECOMMUNICATION
STANDARDIZATION SECTOR
OF ITU

X.281

(06/99)

SERIES X: DATA NETWORKS AND OPEN SYSTEM
COMMUNICATIONS

Open Systems Interconnection – Layer Managed Objects

**Information technology – Elements of
management information related to the OSI
Physical Layer**

ITU-T Recommendation X.281

(Previously CCITT Recommendation)

ITU-T X-SERIES RECOMMENDATIONS
DATA NETWORKS AND OPEN SYSTEM COMMUNICATIONS

PUBLIC DATA NETWORKS	
Services and facilities	X.1–X.19
Interfaces	X.20–X.49
Transmission, signalling and switching	X.50–X.89
Network aspects	X.90–X.149
Maintenance	X.150–X.179
Administrative arrangements	X.180–X.199
OPEN SYSTEMS INTERCONNECTION	
Model and notation	X.200–X.209
Service definitions	X.210–X.219
Connection-mode protocol specifications	X.220–X.229
Connectionless-mode protocol specifications	X.230–X.239
PICS proformas	X.240–X.259
Protocol Identification	X.260–X.269
Security Protocols	X.270–X.279
Layer Managed Objects	X.280–X.289
Conformance testing	X.290–X.299
INTERWORKING BETWEEN NETWORKS	
General	X.300–X.349
Satellite data transmission systems	X.350–X.399
MESSAGE HANDLING SYSTEMS	X.400–X.499
DIRECTORY	X.500–X.599
OSI NETWORKING AND SYSTEM ASPECTS	
Networking	X.600–X.629
Efficiency	X.630–X.639
Quality of service	X.640–X.649
Naming, Addressing and Registration	X.650–X.679
Abstract Syntax Notation One (ASN.1)	X.680–X.699
OSI MANAGEMENT	
Systems Management framework and architecture	X.700–X.709
Management Communication Service and Protocol	X.710–X.719
Structure of Management Information	X.720–X.729
Management functions and ODMA functions	X.730–X.799
SECURITY	X.800–X.849
OSI APPLICATIONS	
Commitment, Concurrency and Recovery	X.850–X.859
Transaction processing	X.860–X.879
Remote operations	X.880–X.899
OPEN DISTRIBUTED PROCESSING	X.900–X.999

For further details, please refer to ITU-T List of Recommendations.

INTERNATIONAL STANDARD 13642

ITU-T RECOMMENDATION X.281

**INFORMATION TECHNOLOGY – ELEMENTS OF MANAGEMENT
INFORMATION RELATED TO THE OSI PHYSICAL LAYER**

Summary

This revised Recommendation | International Standard provides the specificaiton of management information related to the Physical Layer. This includes the managed objects class definition of Physical Layer managed objects, the relationship of the managed objects and attributes to both the operation of the layer and to other objects and attributes of the layer, and the allowable actions on the attributes of Physical Layer managed objects.

Source

The ITU-T Recommendation X.281 was approved on the 18th of June 1999. The identical text is also published as ISO/IEC International Standard 13642.

FOREWORD

ITU (International Telecommunication Union) is the United Nations Specialized Agency in the field of telecommunications. The ITU Telecommunication Standardization Sector (ITU-T) is a permanent organ of the ITU. The ITU-T is responsible for studying technical, operating and tariff questions and issuing Recommendations on them with a view to standardizing telecommunications on a worldwide basis.

The World Telecommunication Standardization Conference (WTSC), which meets every four years, establishes the topics for study by the ITU-T Study Groups which, in their turn, produce Recommendations on these topics.

The approval of Recommendations by the Members of the ITU-T is covered by the procedure laid down in WTSC Resolution No. 1.

In some areas of information technology which fall within ITU-T's purview, the necessary standards are prepared on a collaborative basis with ISO and IEC.

NOTE

In this Recommendation the term *recognized operating agency (ROA)* includes any individual, company, corporation or governmental organization that operates a public correspondence service. The terms *Administration*, *ROA* and *public correspondence* are defined in the *Constitution of the ITU (Geneva, 1992)*.

INTELLECTUAL PROPERTY RIGHTS

The ITU draws attention to the possibility that the practice or implementation of this Recommendation may involve the use of a claimed Intellectual Property Right. The ITU takes no position concerning the evidence, validity or applicability of claimed Intellectual Property Rights, whether asserted by ITU members or others outside of the Recommendation development process.

As of the date of approval of this Recommendation, the ITU had not received notice of intellectual property, protected by patents, which may be required to implement this Recommendation. However, implementors are cautioned that this may not represent the latest information and are therefore strongly urged to consult the TSB patent database.

© ITU 1999

All rights reserved. No part of this publication may be reproduced or utilized in any form or by any means, electronic or mechanical, including photocopying and microfilm, without permission in writing from the ITU.

CONTENTS

	<i>Page</i>
1 Scope	1
2 Normative references	1
2.1 Identical Recommendations International Standards	1
2.2 Paired Recommendations International Standards equivalent in technical content	2
3 Definitions	2
3.1 Basic Reference Model definitions	2
3.2 Management framework definitions	2
3.3 Systems management overview definitions	3
3.4 Common management information service definitions	3
3.5 Management information model definitions	3
3.6 GDMO definitions	3
4 Symbols and abbreviations	3
5 Elements of Physical Layer Management Information	4
5.1 Managed Object Hierarchy	4
5.2 Common Physical Layer GDMO definitions	5
5.3 The Physical Layer Subsystem Managed Object	6
5.4 Physical Entity Managed Object	7
5.5 Physical Service Access Point Managed Object	7
5.6 Data-circuit Managed Object	8
5.7 Physical Connection Managed Object	11
6 ASN.1 Module	12
6.1 Object identifier definitions	12
6.2 Other definitions	12
7 Conformance	13
7.1 Conformance requirements to this Recommendation International Standard	13
Annex A – Allocation of Object Identifiers	14
Annex B – Shorthand description of Managed Objects	15
Annex C – Example of the use of relationship attributes	17

INTERNATIONAL STANDARD**ITU-T RECOMMENDATION****INFORMATION TECHNOLOGY – ELEMENTS OF MANAGEMENT
INFORMATION RELATED TO THE OSI PHYSICAL LAYER****1 Scope**

This Recommendation | International Standard provides the specification of management information within an Open System related to those operations of the OSI Physical Layer specified by the specifications in this Recommendation | International Standard. Specifics on how Physical Layer management is accomplished is beyond the scope of this Recommendation | International Standard. Physical Layer management is defined by specifying:

- the managed object class definition of Physical Layer Managed Objects following guidelines put forth by the *Structure of Management Information* (see ITU-T Recs. X.720 | ISO/IEC 10165-1 to X.723 | ISO/IEC 10165-5;
- the relationship of the Managed Objects and attributes to both the operation of the layer and to other objects and attributes of the layer; and
- the action type operations on the attributes of Physical Layer Managed Objects that are available to OSI Systems Management.

2 Normative references

The following Recommendations and International Standards contain provisions which, through reference in this text, constitute provisions of this Recommendation | International Standard. At the time of publication, the editions indicated were valid. All Recommendations and Standards are subject to revision, and parties to agreements based on this Recommendation | International Standard are encouraged to investigate the possibility of applying the most recent edition of the Recommendations and Standards listed below. Members of IEC and ISO maintain registers of currently valid International standards. The Telecommunication Standardization Bureau of the ITU maintains a list of currently valid ITU-T Recommendations.

2.1 Identical Recommendations | International Standards

- ITU-T Recommendation X.200 (1994) | ISO/IEC 7498-1:1994, *Information technology – Open Systems Interconnection – Basic Reference Model: The Basic Model*.
- ITU-T Recommendation X.211 (1995) | ISO/IEC 10022:1996, *Information technology – Open Systems Interconnection – Physical service definition*.
- ITU-T Recommendation X.701 (1997) | ISO/IEC 10040:1998, *Information technology – Open Systems Interconnection – Systems management overview*.
- ITU-T Recommendation X.710 (1997) | ISO/IEC 9595:1998, *Information technology – Open Systems Interconnection – Common management information service definition*.
- ITU-T Recommendation X.711 (1997) | ISO/IEC 9596-1:1998, *Information technology – Open Systems Interconnection – Common management information protocol: Specification*.
- CCITT Recommendation X.720 (1992) | ISO/IEC 10165-1:1993, *Information technology – Open Systems Interconnection – Structure of management information: Management information model*.
- CCITT Recommendation X.721 (1992) | ISO/IEC 10165-2:1992, *Information technology – Open Systems Interconnection – Structure of management information: Definition of management information*.
- CCITT Recommendation X.722 (1992) | ISO/IEC 10165-4:1992, *Information technology – Open Systems Interconnection – Structure of management information: Guidelines for the definition of managed objects*.

- ITU-T Recommendation X.723 (1993) | ISO/IEC 10165-5:1994, *Information technology – Open Systems Interconnection – Structure of management information: Generic management information.*
- CCITT Recommendation X.730 (1992) | ISO/IEC 10164-1:1993, *Information technology – Open Systems Interconnection – Systems management: Object management function.*
- CCITT Recommendation X.731 (1992) | ISO/IEC 10164-2:1993, *Information technology – Open Systems Interconnection – Systems management: State management function.*
- CCITT Recommendation X.732 (1992) | ISO/IEC 10164-3:1993, *Information technology – Open Systems Interconnection – Systems management: Attributes for representing relationships.*
- CCITT Recommendation X.733 (1992) | ISO/IEC 10164-4:1992, *Information technology – Open Systems Interconnection – Systems management: Alarm reporting function.*
- CCITT Recommendation X.734 (1992) | ISO/IEC 10164-5:1993, *Information technology – Open Systems Interconnection – Systems management: Event report management function.*
- CCITT Recommendation X.735 (1992) | ISO/IEC 10164-6:1993, *Information technology – Open Systems Interconnection – Systems management: Log control function.*

2.2 Paired Recommendations | International Standards equivalent in technical content

- CCITT Recommendation X.208 (1988), *Specification of Abstract Syntax Notation One (ASN.1).*
ISO/IEC 8824:1990, *Information technology – Open Systems Interconnection – Specification of Abstract Syntax Notation One (ASN.1).*
- CCITT Recommendation X.700 (1992), *Management framework for Open Systems Interconnections (OSI) for CCITT applications.*
ISO/IEC 7498-4:1989, *Information processing systems – Open Systems Interconnection – Basic Reference Model – Part 4: Management framework.*

3 Definitions

For the purposes of this Recommendation | International Standard, the following definitions apply.

3.1 Basic Reference Model definitions

This Recommendation | International Standard is based on the concept in the Basic Reference Model for Open Systems Interconnection and makes use of the following terms defined in ITU-T Rec. X.200 | ISO/IEC 7498-1:

- a) data-circuit;
- b) (N)-connection;
- c) (N)-entity;
- d) (N)-layer;
- e) (N)-protocol;
- f) (N)-service-access-point;
- g) open system;
- h) Physical Layer;
- i) systems management.

3.2 Management framework definitions

This Recommendation | International Standard makes use of the following term defined in CCITT Rec. X.700 | ISO/IEC 7498-4:

- managed object.

3.3 Systems management overview definitions

This Recommendation | International Standard makes use of the following terms defined in CCITT Rec. X.701 | ISO/IEC 10040:

- a) managed object class;
- b) management information;
- c) notification;
- d) (systems management) operation.

3.4 Common management information service definitions

This Recommendation | International Standard makes use of the following term defined in ITU-T Rec. X.710 | ISO/IEC 9595:

- attributes.

3.5 Management information model definitions

This Recommendation | International Standard makes use of the following terms defined in CCITT Rec. X.720 | ISO/IEC 10165-1:

- a) action;
- b) attribute group;
- c) attribute Type;
- d) behaviour;
- e) containment;
- f) distinguished name;
- g) inheritance;
- h) name binding;
- i) package;
- j) parameter;
- k) relative distinguished name;
- l) subclass;
- m) superclass.

3.6 GDMO definitions

This Recommendation | International Standard makes use of the following terms defined in CCITT Rec. X.722 | ISO/IEC 10165-4:

- a) managed object class definition;
- b) template.

4 Symbols and abbreviations

Within the Managed Object definitions and GDMO templates the following abbreviations are used in the standard-name element of a document-identifier when making references to other documents:

DMI	CCITT Rec. X.721 (1992) ISO/IEC 10165-2:1992
GMI	ITU-T Rec. X.723 (1993) ISO/IEC 10165-5:1994

This Recommendation | International Standard makes use of the following symbols and abbreviations:

DMI	Definition of Management Information
GDMO	Guidelines for the Definition of Managed Objects
MO	Managed Object(s)
Ph	Physical
PhC	Physical Connection

PHLM	Physical Layer Management
PhSAP	Physical Service Access Point
QoS	Quality of Service
SAP	Service Access Point

5 Elements of Physical Layer Management Information

5.1 Managed Object Hierarchy

5.1.1 Summary of managed objects

The following set of common managed objects are defined in this Recommendation | International Standard for the OSI Physical Layer:

- a) The Physical Subsystem Managed Object (see 5.3)
- b) The Physical Entity Managed Object (see 5.4)
- c) The Physical SAP Managed Object (see 5.5)
- d) The Data-circuit Managed Object (see 5.6)
- e) The Physical Connection Managed Object (see 5.7)

These Managed Objects represent OSI Management's view of those elements of an Open System which support the OSI Physical Service subject to OSI management operations. Other MOs may be defined under Physical Subsystem using these generic specifications.

5.1.2 Containment hierarchy

The containment hierarchy is illustrated in Figure 1. These objects are defined in detail in the following subclauses.

The physical subsystem MO is subordinate to the system MO and it represents the whole of the physical layer in an open system. Only one instance of the physical subsystem MO exists in an open system. One or more physical entity MO and physical SAP MO are contained in the physical subsystem MO. The physical entity MO represents the whole of the management aspect of the entity that executes the functions of the physical layer. The plural instances of the physical entity MO can exist in an open system. The data-circuit MO is generic managed object that represents the management aspect of the entity that executes the transmission of bits. The physical connection MO represents the management view of connections established using relaying functions.

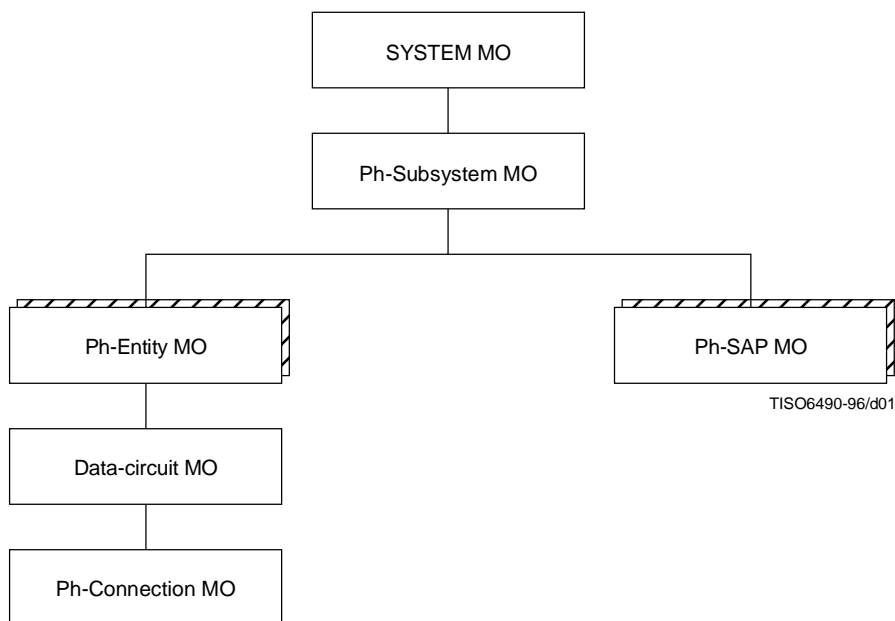


Figure 1 – Physical Layer Containment Hierarchy

5.1.3 Relationships

5.1.3.1 General

The use of Relationship attributes is illustrated by examples in Annex C. The following describes the individual relationship in more detail.

5.1.3.2 Physical entity

The physical entity MO has a localSapName attribute inherited from GMI:communicationsEntity. This attribute contains the local distinguished name(s) of SAP MO(s), representing the point at which services are provided to the entity.

5.1.3.3 SAP

There is a relationship between the physical SAP MO and the managed objects that represent the Data Link user entities that are using the SAP. This is represented by the userEntityNames attribute inherited from GMI:sap1.

5.1.3.4 Connections

There is a relationship between the physical connection MO and the managed objects that represents the Data Link connections.

5.1.4 Minimum Event Filtering Capabilities

The physical layer management definitions embodied in this Recommendation | International Standard imply the frequent, and possibly excessive generation of notifications during regular layer operation. These notifications are especially useful for effective fault management, where they facilitate the tracing and pinpointing of error situations. To avoid the excessive dissemination of these event reports under normal operating conditions, it is advisable for a managed system to have, as a minimum, the capability to perform discrimination based upon:

- a) the source managed object class;
- b) the object identifier values in the probable cause and specific problems field of communication alarms.

5.1.5 Use of Optional Fields

Where reference is made in this Recommendation | International Standard to ASN.1 syntax defined in ITU-T Rec. X.723 | ISO/IEC 10165-5 or CCITT Rec. X.721 | ISO/IEC 10165-2, only the following fields shall be employed:

- a) Those which are not OPTIONAL in the ASN.1 syntax.
- b) Those which are OPTIONAL, but whose use is explicitly required by this Recommendation | International Standard.
- c) Those which are OPTIONAL, but whose ASN.1 type is SET OF ManagementExtension.

The use of any other field is prohibited.

5.2 Common Physical Layer GDMO definitions

-- *Behaviours*

commonCreationDeletion-B BEHAVIOUR

DEFINED AS

Managed object class imports the X.721 | ISO/IEC 10165-2 objectCreation and/or objectDeletion notifications. Used as follows:

objectCreation - Generated whenever an instance of the managed object class is created. Implementations may optionally include the sourceIndicator parameter in the notification.

If creation occurred as a result of internal operation of the resource, the value 'resourceOperation' is used. If creation occurred in response to a management operation, the value 'managementOperation' is used. A value of 'unknown' may be returned if it is not possible to determine the source of the operation. None of the other optional parameters are used.

objectDeletion - Generated whenever an instance of the managed object class is deleted. Implementations may optionally include the sourceIndicator parameter in the notification.

If deletion occurred as a result of internal operation of the resource, the value 'resourceOperation' is used. If deletion occurred in response to a management operation, the value 'managementOperation' is used. A value of 'unknown' may be returned if it is not possible to determine the source of the operation. None of the other optional parameters are used.;

commonDeactivateConnection-B BEHAVIOUR

DEFINED AS

Managed object class imports the X.723 | ISO/IEC 10165-5 deactivate action. The deactivate action causes the connection to be terminated. The termination should occur as rapidly as practical, but no particular time constraints are implied. Typically, this action simulates a disconnect request received across the service interface. If a more rapid means for terminating the connection exists, then this should be used. The termination shall occur in conformance to the protocol standard. The Managed Object remains in existence after completion of the deactivate action. It is subsequently deleted when the connection is terminated, in the same way as if the connection had been terminated by other means. A deactivate action may fail (with the ProcessingFailure response) if it is temporarily not possible to terminate the connection;

commonStateChange-B BEHAVIOUR

DEFINED AS

Managed object class imports the X.721 | ISO/IEC 10165-2 stateChange notification. Used to report the changes to the operationalState attribute, and where present, the administrativeState attribute. A single parameter set is included in the State change definition field. Only the (mandatory) attributeId and (optional) newAttributeValue parameters are used;

communicationsAlarm-B BEHAVIOUR

DEFINED AS

Managed object class imports the X.721 | ISO/IEC 10165-2 communicationsAlarm notification. Used to report the alarm principally associated with procedures and/or processes required to convey information from one point to another. The probableCause parameter is set to the value lossOfSignal. The perceivedSeverity parameter is set to the value Critical.;

equipmentAlarm-B BEHAVIOUR

DEFINED AS

Managed object class imports the X.721 | ISO/IEC 10165-2 equipmentAlarm notification. Used to report the alarm principally associated with an equipment fault. The probableCause parameter is set to the value datasetOrModemError. The perceivedSeverity parameter is set to the value Major.;

qualityofServiceAlarm-B BEHAVIOUR

DEFINED AS

Managed object class imports the X.721 | ISO/IEC 10165-2 qualityofServiceAlarm notification. Used to report the alarm principally associated with a degradation in the quality of a service. The probableCause parameter is set to the value thresholdCrossed. The perceivedSeverity parameter is set to the value Warning.;

5.3 The Physical Layer Subsystem Managed Object

- There shall be exactly one of these managed objects within a system.
- It exists to provide a container for all managed objects in a system
- that relate to the operation of the Physical layer.

- The physicalSubsystem managed object cannot be created or deleted
- explicitly by management operation. It exists inherently in a system;
- created and deleted as part of system operation.

physicalSubsystem MANAGED OBJECT CLASS

DERIVED FROM "GMI":subsystem;

-- which is derived from "DMI":top

CHARACTERIZED BY physicalSubsystem-P PACKAGE

ATTRIBUTES

"GMI":subsystemId

INITIAL VALUE PhLM.physicalSubsystemId-Value

GET;;;

REGISTERED AS {PHLM.moi physicalSubsystem(1)};

-- *Name Bindings*

physicalSubsystem-system NAME BINDING
 SUBORDINATE OBJECT CLASS **physicalSubsystem** AND SUBCLASSES;
 NAMED BY
 SUPERIOR OBJECT CLASS "DMI":system AND SUBCLASSES;
 WITH ATTRIBUTE "GMI":subsystemId;
 REGISTERED AS {PHLM.nboi physicalSubsystem-system(1)};

5.4 Physical Entity Managed Object

-- *There may be multiple instances of these MOs within a system.*
 -- *These managed objects can not be created or deleted explicitly by*
 -- *management operation. They exist inherently in a system;*
 -- *created and deleted as part of system operation.*

physicalEntity MANAGED OBJECT CLASS
 DERIVED FROM "GMI":communicationsEntity;
 CHARACTERIZED BY **physicalEntity-P** PACKAGE
 ATTRIBUTES
 physicalEntityTitles REPLACE-WITH-DEFAULT GET-REPLACE;
 ATTRIBUTE GROUPS
 "DMI":state
 "DMI":operationalState;
 NOTIFICATIONS
 "DMI":stateChange;;;
 REGISTERED AS {PHLM.moi physicalEntity(2)};

-- *Name Bindings*

-- *IMPORT "GMI":communicationsEntity-subsystem* NAME BINDING

physicalEntity-physicalSubsystem-Management NAME BINDING
 SUBORDINATE OBJECT CLASS **physicalEntity** AND SUBCLASSES;
 NAMED BY
 SUPERIOR OBJECT CLASS **physicalSubsystem** AND SUBCLASSES;
 WITH ATTRIBUTE "GMI":communicationsEntityId;
 REGISTERED AS {PHLM.nboi physicalEntity-physicalSubsystem(2)};

-- *Attributes*

physicalEntityTitles ATTRIBUTE
 WITH ATTRIBUTE SYNTAX **PHLM.PhysicalEntityTitle**;
 MATCHES FOR EQUALITY;
 BEHAVIOUR **physicalEntityTitles-B** BEHAVIOUR
 DEFINED AS The set of Physical Entity Titles which unambiguously
 identify the Physical Entity in an End or Intermediate System.
 The value may be entered by a system management operation or
 it may be derived by some local means.;;
 REGISTERED AS {PHLM.aoi physicalEntityTitles (1)};

5.5 Physical Service Access Point Managed Object

-- *Physical SAP MO class is used to represent a service access point where the*
 -- *interactions between the physical service user and the physical service*
 -- *provider take place.*
 -- *phSAP managed objects are created automatically as part of system*
 -- *operation when a Physical layer user requests and is granted use*
 -- *of the Physical layer services. The mechanism by which this happens*
 -- *is system-specific and not subject to OSI standardization.*

physicalSAP MANAGED OBJECT CLASS
 DERIVED FROM "GMI":sap1;
 REGISTERED AS {PHLM.moi physicalSAP(3)};

-- *Name Bindings*

-- *IMPORT "GMI":sap1-Subsystem NAME BINDING*

physicalSAP-physicalSubsystem NAME BINDING
SUBORDINATE OBJECT CLASS physicalSAP AND SUBCLASSES;
NAMED BY
SUPERIOR OBJECT CLASS physicalSubsystem AND SUBCLASSES;
WITH ATTRIBUTE "GMI":sapId;
BEHAVIOUR physicalSAP-physicalSubsystem-Management-B BEHAVIOUR
DEFINED AS
 The name binding which applies when a phSAP managed object (or an instance of a subclass of the phSAP MO class) can be created by management as a subordinate object of a phEntity managed object (or subclass), and deleted by management.;;
CREATE;
DELETE ONLY-IF-NO-CONTAINED-OBJECTS;
REGISTERED AS {PHLM.nboi phSAP-physicalSubsystem(3)};

5.6 Data-circuit Managed Object

-- *The data-circuit managed object class is used to represent a communication*

-- *path in the physical media for OSI between two physical-entities,*

-- *together with the facilities necessary in the Physical Layer for the*

-- *transmission of bits on it.*

dataCircuit MANAGED OBJECT CLASS
DERIVED FROM "GMI":coProtocolMachine;
CHARACTERIZED BY dataCircuit-P PACKAGE

BEHAVIOUR

commonCreationDeletion-B,
commonStateChange-B;

ATTRIBUTES

bitErrorsReceived GET,
bitErrorsTransmitted GET,
bitErrorsThreshold GET-REPLACE,
dataCircuitType GET,
physicalMediaNames GET,
physicalInterfaceType GET,
physicalInterfaceStandard GET,
synchronizationMode GET,
 -- *sync, async* --
transmissionCoding GET,
 -- *coding scheme* --
transmissionMode GET,
 -- *FDX, HDX, simplex, duplex* --
transmissionRate GET;

ATTRIBUTE GROUPS

"GMI":counters
bitErrorsReceived
bitErrorsTransmitted,
"DMI":state
"DMI":operationalState;

NOTIFICATIONS

"DMI":communicationsAlarm
connectionError
lossOfSignal
lossOfSynchronization,
"GMI":communicationsInformation
connectionEstablished,
"DMI":equipmentAlarm,
"DMI":objectCreation,
"DMI":objectDeletion,
"DMI":qualityofServiceAlarm
bitErrorThresholdReached,
"DMI":stateChange;

;;

REGISTERED AS {PHLM.moi dataCircuit(4)};

-- Name Bindings

dataCircuit-physicalEntity NAME BINDING
 SUBORDINATE OBJECT CLASS dataCircuit AND SUBCLASSES;
 NAMED BY
 SUPERIOR OBJECT CLASS physicalEntity AND SUBCLASSES;
 WITH ATTRIBUTE "GMI":coProtocolMachineId;
 BEHAVIOUR dataCircuit-physicalEntity-B BEHAVIOUR
 DEFINED AS
 The name binding which applies when a dataCircuit managed object
 can be created by management as a subordinate object of a
 physicalEntity managed object and deleted by management.;;
 DELETE ONLY-IF-NO-CONTAINED-OBJECTS;
 REGISTERED AS {PHLM.nboi dataCircuit-physicalEntity(4)};

-- Attributes

bitErrorsReceived ATTRIBUTE
 WITH ATTRIBUTE SYNTAX PHLM.BitErrors;
 MATCHES FOR EQUALITY;
 BEHAVIOUR bitErrorsReceived-B BEHAVIOUR
 DEFINED AS
 The number of bit errors received.;;
 REGISTERED AS {PHLM.aoi bitErrorsReceived(13)};

bitErrorsTransmitted ATTRIBUTE
 WITH ATTRIBUTE SYNTAX PHLM.BitErrors;
 MATCHES FOR EQUALITY;
 BEHAVIOUR bitErrorsTransmitted-B BEHAVIOUR
 DEFINED AS
 The number of bit errors transmitted.;;
 REGISTERED AS {PHLM.aoi bitErrorsTransmitted(14)};

bitErrorsThreshold ATTRIBUTE
 WITH ATTRIBUTE SYNTAX PHLM.BitErrorsThreshold;
 MATCHES FOR EQUALITY;
 BEHAVIOUR bitErrorsThreshold-B BEHAVIOUR
 DEFINED AS
 Value of the threshold for bit Error.;;
 REGISTERED AS {PHLM.aoi bitErrorsThreshold(2)};

dataCircuitType ATTRIBUTE
 WITH ATTRIBUTE SYNTAX PHLM.DataCircuitType;
 MATCHES FOR EQUALITY;
 BEHAVIOUR dataCircuitType-B BEHAVIOUR
 DEFINED AS
 Determines the data-circuit supports the relaying functions.;;
 REGISTERED AS {PHLM.aoi dataCircuitType(3)};

physicalInterfaceStandard ATTRIBUTE
 WITH ATTRIBUTE SYNTAX PHLM.PhysicalInterfaceStandard;
 MATCHES FOR EQUALITY;
 BEHAVIOUR physicalInterfaceStandard-B BEHAVIOUR
 DEFINED AS
 Determines the Standard or Recommendation number/name that the
 interface comply to.;;
 REGISTERED AS {PHLM.aoi physicalInterfaceStandard(4)};

physicalInterfaceType ATTRIBUTE
 WITH ATTRIBUTE SYNTAX PHLM.PhysicalInterfaceType;
 MATCHES FOR EQUALITY;
 BEHAVIOUR physicalInterfaceType-B BEHAVIOUR
 DEFINED AS
 Determines the physical characteristics of the line/cable that
 the data-circuit supports. ;;
 REGISTERED AS {PHLM.aoi physicalInterfaceType(5)};

physicalMediaNames **ATTRIBUTE**
WITH ATTRIBUTE SYNTAX PHLM.PhysicalMediaNames;
MATCHES FOR EQUALITY;
 BEHAVIOUR physicalMediaNames-B **BEHAVIOUR**
 DEFINED AS The distinguished names of physical media which the
 data-circuit uses.;;
REGISTERED AS {PHLM.aoi physicalMediaNames(6)};

synchronizationMode **ATTRIBUTE**
WITH ATTRIBUTE SYNTAX PHLM.SynchronizationMode;
MATCHES FOR EQUALITY;
 BEHAVIOUR synchronizationMode-B **BEHAVIOUR**
 DEFINED AS
 Determines the mode of synchronization, such as synchronous and
 asynchronous.;;
REGISTERED AS {PHLM.aoi synchronizationMode(7)};

transmissionCoding **ATTRIBUTE**
WITH ATTRIBUTE SYNTAX PHLM.TransmissionCoding;
MATCHES FOR EQUALITY;
 BEHAVIOUR transmissionCoding-B **BEHAVIOUR**
 DEFINED AS
 Coding rule of data transmission.;;
REGISTERED AS {PHLM.aoi transmissionCoding(8)};

transmissionMode **ATTRIBUTE**
WITH ATTRIBUTE SYNTAX PHLM.TransmissionMode;
MATCHES FOR EQUALITY;
 BEHAVIOUR transmissionMode-B **BEHAVIOUR**
 DEFINED AS
 Determines the transmission mode.;;
REGISTERED AS {PHLM.aoi transmissionMode(9)};

transmissionRate **ATTRIBUTE**
WITH ATTRIBUTE SYNTAX PHLM.TransmissionRate;
MATCHES FOR EQUALITY;
 BEHAVIOUR transmissionRate-B **BEHAVIOUR**
 DEFINED AS
 Value of the transmission rate.;;
REGISTERED AS {PHLM.aoi transmissionRate(10)};

-- *Parameters*

bitErrorThresholdReached **PARAMETER**
CONTEXT EVENT-INFO;
WITH SYNTAX PHLM.BitErrorThresholdReached;
 BEHAVIOUR
 bitErrorThresholdReached-B **BEHAVIOUR**
 DEFINED AS
 Indicates that bit error reached to the threshold value.;;
REGISTERED AS {PHLM.proi bitErrorThresholdReached(1)};

connectionError **PARAMETER**
CONTEXT EVENT-INFO;
WITH SYNTAX PHLM.ConnectionError;
 BEHAVIOUR
 connectionError-B **BEHAVIOUR**
 DEFINED AS
 Indicates that connection error occurred.;;
REGISTERED AS {PHLM.proi connectionError(2)};

connectionEstablished **PARAMETER**
CONTEXT EVENT-INFO;
WITH SYNTAX PHLM.ConnectionEstablished;
 BEHAVIOUR
 connectionEstablished-B **BEHAVIOUR**
 DEFINED AS
 Indicates that connection is established.;;
REGISTERED AS {PHLM.proi connectionEstablished(3)};

lossOfSignal **PARAMETER**
CONTEXT EVENT-INFO;
WITH SYNTAX PHLM.LossOfSignal;
BEHAVIOUR
losOfSignal-B BEHAVIOUR
DEFINED AS
 Indicates that loss of signal error occurred.;;
REGISTERED AS {PHLM.proi lossOfSignal(4)};

lossOfSynchronization **PARAMETER**
CONTEXT EVENT-INFO;
WITH SYNTAX PHLM.LossOfSynchronization;
BEHAVIOUR
losOfSynchronization-B BEHAVIOUR
DEFINED AS
 Indicates that loss of synchronization error occurred.;;
REGISTERED AS {PHLM.proi lossOfSynchronization(5)};

5.7 Physical Connection Managed Object

-- *The Physical Connection managed Object class is used to represent an interconnection of data-circuits in the Physical Layer.*

physicalConnection **MANAGED OBJECT CLASS**
DERIVED FROM "GMI":singlePeerConnection;
CHARACTERIZED BY phConnection-P PACKAGE
BEHAVIOUR
commonCreationDeletion-B,
commonDeactivateConnection-B,
commonStateChange-B;
ATTRIBUTES
"GMI":connectionId GET,
endpointIdentifier GET,
portNumber GET;
NOTIFICATIONS
"DMI":objectCreation,
"DMI":objectDeletion,
"DMI":stateChange;
ACTIONS
"GMI":activate,
"GMI":deactivate;;;
REGISTERED AS {PHLM.moi physicalConnection(5)};

-- *Name Bindings*

physicalConnection-dataCircuit **NAME BINDING**
SUBORDINATE OBJECT CLASS physicalConnection AND SUBCLASSES;
NAMED BY
SUPERIOR OBJECT CLASS dataCircuit AND SUBCLASSES;
WITH ATTRIBUTE "GMI":connectionId;
BEHAVIOUR physicalConnection-B BEHAVIOUR
DEFINED AS
 The name bindings which applies when a phConnection managed object (or an instance of a subclass of the phConnection MO class) can be changed by management as a subordinate object of phProtocol managed object (or subclass), and deleted by management.;;
DELETE ONLY-IF-NO-CONTAINED-OBJECTS;
REGISTERED AS {PHLM.nboi phConnection-dataCircuit(5)};

-- *Attributes*

endpointIdentifier **ATTRIBUTE**
WITH ATTRIBUTE SYNTAX PHLM.EndpointIdentifier;
MATCHES FOR EQUALITY;
BEHAVIOUR endpointIdentifier-B BEHAVIOUR
DEFINED AS
 The naming attribute for the physical connection managed object.;;
REGISTERED AS {PHLM.aoi endpointIdentifier(11)};

portNumber ATTRIBUTE
 WITH ATTRIBUTE SYNTAX PHLM.PortNumber;
 MATCHES FOR EQUALITY;
 BEHAVIOUR portNumber-B BEHAVIOUR
 DEFINED AS The distinguished names of port which the
 connection is established.;;
 REGISTERED AS {PHLM.aoi portNumber(12)};

6 ASN.1 Module

PHLM {joint-iso-itu-t physical-layer(18)management(0)asn1Module(2)0}
 DEFINITIONS IMPLICIT TAGS ::= BEGIN

IMPORTS

GroupObjects
 FROM Attribute-ASN1Module{joint-iso-itu-t ms(9)smi(3)part2(2)asn1Module(2)1}
 SetInfoStatus, AttributeId, ObjectInstance
 FROM CMIP-1{joint-iso-itu-t ms(9)cmip(1)modules(0)protocol(3)};

-- Object identifier definitions

physical-layer OBJECT IDENTIFIER ::= {joint-iso-itu-t physical-layer(18)}
 phloi OBJECT IDENTIFIER ::= {physical-layer management(0)}

sseoi OBJECT IDENTIFIER ::= {phloi standardSpecificExtension(0)}
 moi OBJECT IDENTIFIER ::= {phloi objectClass(3)}
 poi OBJECT IDENTIFIER ::= {phloi package(4)}
 proi OBJECT IDENTIFIER ::= {phloi parameter(5)}
 nboi OBJECT IDENTIFIER ::= {phloi nameBinding(6)}
 aoi OBJECT IDENTIFIER ::= {phloi attribute(7)}
 agoi OBJECT IDENTIFIER ::= {phloi attributeGroup(8)}
 acoi OBJECT IDENTIFIER ::= {phloi action(9)}
 noi OBJECT IDENTIFIER ::= {phloi notification(10)}

-- Other definitions

physicalSubsystemId-Value GraphicString ::= "physicalSubsystem"
 BitErrors ::= INTEGER
 BitErrorsThreshold ::= SEQUENCE {
 mantissa [1] INTEGER,
 exponent [2] INTEGER }
 DataCircuitType ::= ENUMERATED {
 end-system(0),
 relay-system(1)}
 PhysicalEntityTitle ::= SET OF GraphicString
 PhysicalInterfaceStandard ::= OCTET STRING
 PhysicalInterfaceType ::= OCTET STRING
 PhysicalMediaNames ::= OCTET STRING
 SynchronizationMode ::= ENUMERATED {
 synchronous(0),
 asynchronous(1)}
 TransmissionCoding ::= OCTET STRING
 TransmissionMode ::= ENUMERATED {
 simplex(0),
 duplex(1)}
 TransmissionRate ::= SEQUENCE {
 mantissa [1] INTEGER,
 exponent [2] INTEGER }
 PortNumber ::= INTEGER
 EndpointIdentifier ::= OCTET STRING
 ConnectionError ::= OCTET STRING
 ConnectionEstablished ::= OCTET STRING
 BitErrorThresholdReached ::= OCTET STRING
 LossOfSignal ::= OCTET STRING
 LossOfSynchronization ::= OCTET STRING

END

7 Conformance

7.1 Conformance requirements to this Recommendation | International Standard

An implementation for which conformance to this Recommendation | International Standard as a managed implementation is claimed shall:

- a) support the physicalSubsystem MO;
- b) for each supported MO, support at least on name binding defined in this Recommendation | International Standard, for which the MO is the subordinate;
- c) for each supported MO, support all elements of management information as defined in GDMO description for the MO.

Annex A

Allocation of Object Identifiers

(This annex forms an integral part of this Recommendation | International Standard)

The following Object Identifiers have been allocated by the normative body of this Recommendation | International Standard. Object Identifiers which had been allocated when this Recommendation | International Standard was at the draft stage will not be re-allocated. If any modification, other than a change to the behaviour clause, is made to any template which has been allocated an object identifier, the new template will be allocated a new Object Identifier and the old Object Identifier will not be re-used.

- joint-iso-itu**
 - ms (9)**
 - smi (3)**
 - part2 (2)**
 - asn1Module (2)**
 - (1)
 - physical-layer (18)**
 - management (0)**
 - standardSpecificExtension (0)**
 - asn1Module (2)**
 - (0)
 - managedObjectClass (3)**
 - physicalSubsystem (1)**
 - physicalEntity (2)**
 - physicalSAP (3)**
 - dataCircuit (4)**
 - physicalConnection (5)**
 - package (4)**
 - parameters (5)**
 - bitErrorThresholdReached (1)**
 - connectionError (2)**
 - connectionEstablished (3)**
 - lossOfSignal (4)**
 - lossOfSynchronization (5)**
 - nameBinding (6)**
 - physicalSubsystem-system (1)**
 - physicalEntity-physicalSubsystem (2)**
 - physicalSAP-physicalSubsystem (3)**
 - dataCircuit-physicalEntity (4)**
 - phConnection-dataCircuit (5)**
 - attribute (7)**
 - physicalEntityTitles (1)**
 - bitErrorsThreshold (2)**
 - dataCircuitType (3)**
 - physicalInterfaceStandard (4)**
 - physicalInterfaceType (5)**
 - physicalMediaNames (6)**
 - synchronizationMode (7)**
 - transmissionCoding (8)**
 - transmissionMode (9)**
 - transmissionRate (10)**
 - endpointIdentifier (11)**
 - portNumber (12)**
 - attributeGroup (8)**
 - action (9)**
 - notification (10)**

Annex B

Shorthand description of Managed Objects

(This annex does not form an integral part of this Recommendation | International Standard)

The information in this annex is intended only to give a broad outline of the Physical Layer Management Specification. While the information contained herein has been derived from the GDMO text in this Recommendation | International Standard, it should be treated with caution, as there may be errors.

The following abbreviations are used to describe the property lists of attributes:

G	Get;
R	Replace;
RWD	Replace With Default;
A	Add;
RM	Remove.

The following abbreviations are used for external label references:

DMI:	CCITT Rec. X.721 (1992) ISO/IEC 10165-2:1992
GMI:	ITU-T Rec. X.723 (1993) ISO/IEC 10165-5:1994

The inheritance hierarchy is illustrated in Figure B.1.

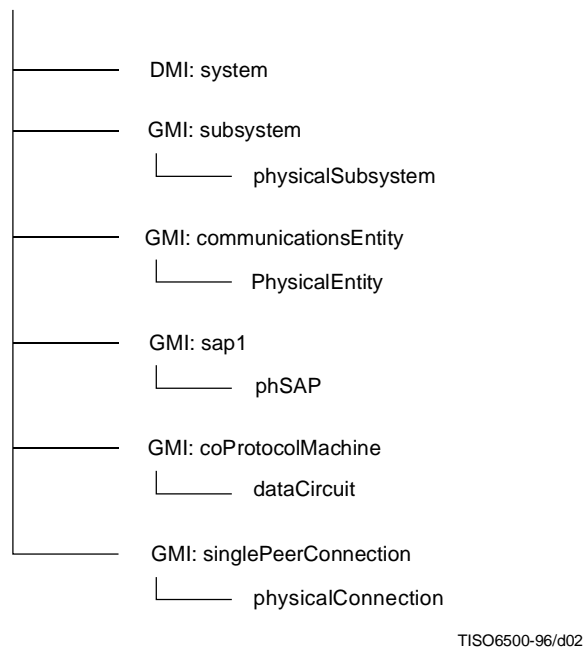


Figure B.1 – Physical Layer Inheritance Hierarchy

MANAGED OBJECT CLASS physicalSubsystem DERIVED FROM (GMI:subsystem) CONTAINED IN (DMI:system)
GMI:subsystemId ATTRIBUTE (G)
END MANAGED OBJECT CLASS physicalSubsystem

MANAGED OBJECT CLASS physicalEntity DERIVED FROM (GMI:communicationsEntity) CONTAINED IN (physicalSubsystem)

DMI: stateChange NOTIFICATION
physicalEntityTitles ATTRIBUTE (G, R, RWD)

The distinguished names of physical entity managed objects.

END MANAGED OBJECT CLASS physicalEntity

MANAGED OBJECT CLASS physicalSAP DERIVED FROM (GMI:sap1) CONTAINED IN (physicalSubsystem)
END MANAGED OBJECT CLASS physicalSAP

MANAGED OBJECT CLASS dataCircuit DERIVED FROM (GMI:coProtocolMachine) CONTAINED IN (physicalEntity)

DMI:communicationAlarm NOTIFICATIONS

DMI:communicationInformation NOTIFICATIONS

DMI:equipmentAlarm NOTIFICATIONS

DMI:objectCreation NOTIFICATIONS

DMI:objectDeletion NOTIFICATIONS

DMI:qualityofServiceAlarm NOTIFICATIONS

DMI:stateChange NOTIFICATIONS

bitErrorThreshold ATTRIBUTE (G, R)

Value of the threshold for bit error

dataCircuitType ATTRIBUTE (G)

Determines the data-circuit supports the relaying functions

physicalInterfaceStandard ATTRIBUTE (G)

The name of the Recommendation or International Standard that the interface complies to

physicalInterfaceType ATTRIBUTE (G)

The physical characteristics of the line/cable that the data circuit supports

physicalMediaNames ATTRIBUTE (G)

The name of the physical media that the data circuit is attached to

synchronizationMode ATTRIBUTE (G)

The type of synchronization

transmissionCoding ATTRIBUTE (G)

The coding rule of the data transmission

transmissionMode ATTRIBUTE (G)

Mode of transmission

transmissionRate ATTRIBUTE (G)

Value of the transmission rate

END MANAGED OBJECT CLASS dataCircuit

MANAGED OBJECT CLASS physicalConnection DERIVED FROM (GMI:singlePeerConnection) CONTAINED IN (dataCircuit)

DMI:objectCreation NOTIFICATION

DMI:objectDeletion NOTIFICATION

DMI:stateChange NOTIFICATION

GMI:activate ACTION

GMI:connectionId ATTRIBUTE (G)

GMI:deactivate ACTION

endpointIdentifier ATTRIBUTE (G)

Name of the physical connection

portNumber ATTRIBUTE (G)

Name of the port that the connection is established

END MANAGED OBJECT CLASS physicalConnection

Annex C

Example of the use of relationship attributes

(This annex does not form an integral part of this Recommendation | International Standard)

This annex provides examples of the use of relationship attributes, both within the Physical Layer and also between the adjoining layer. This example is not intended to be exhaustive. Relationships for other protocol combinations may be constructed in a similar manner, and a particular implementation may be capable of supporting multiple protocols simultaneously (see Figure C.1).

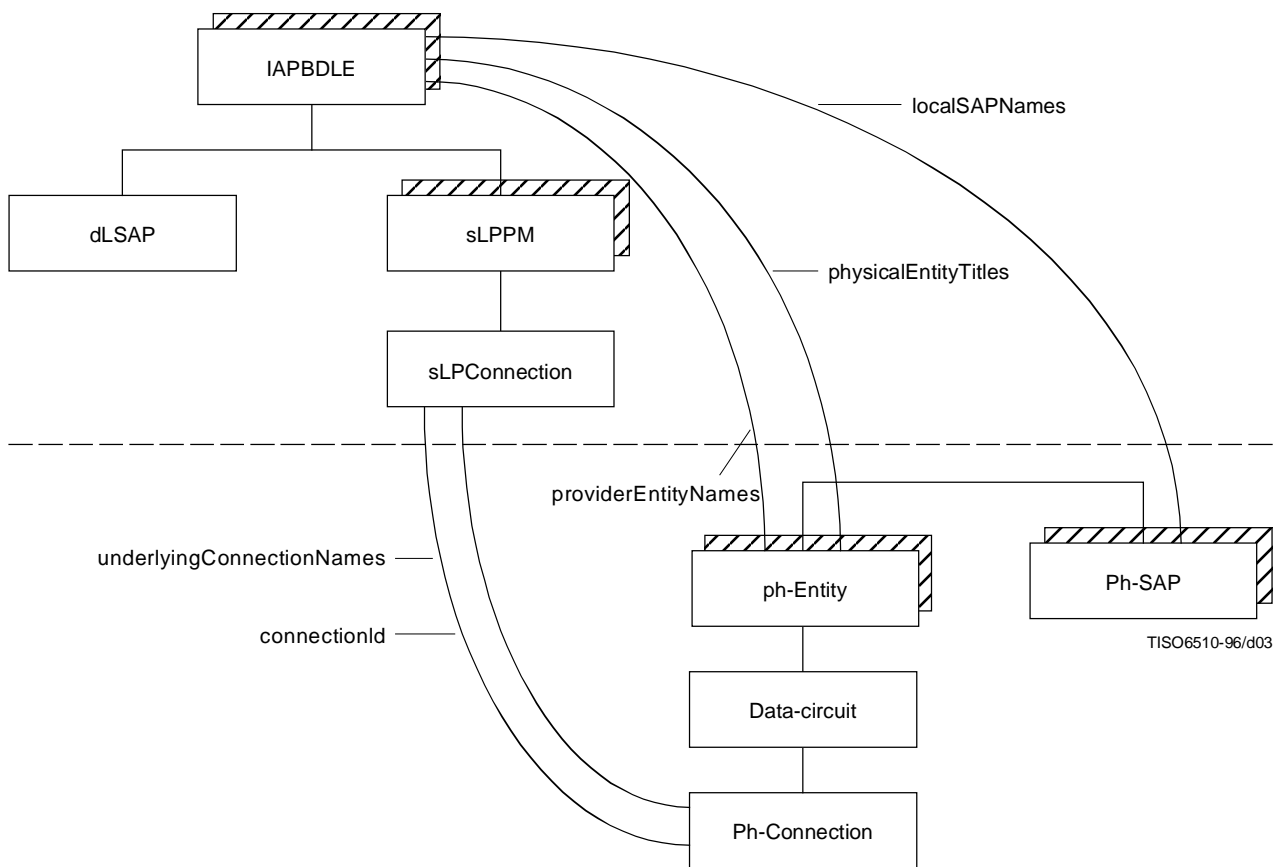


Figure C.1 – Example of relationships

ITU-T RECOMMENDATIONS SERIES

Series A	Organization of the work of the ITU-T
Series B	Means of expression: definitions, symbols, classification
Series C	General telecommunication statistics
Series D	General tariff principles
Series E	Overall network operation, telephone service, service operation and human factors
Series F	Non-telephone telecommunication services
Series G	Transmission systems and media, digital systems and networks
Series H	Audiovisual and multimedia systems
Series I	Integrated services digital network
Series J	Transmission of television, sound programme and other multimedia signals
Series K	Protection against interference
Series L	Construction, installation and protection of cables and other elements of outside plant
Series M	TMN and network maintenance: international transmission systems, telephone circuits, telegraphy, facsimile and leased circuits
Series N	Maintenance: international sound programme and television transmission circuits
Series O	Specifications of measuring equipment
Series P	Telephone transmission quality, telephone installations, local line networks
Series Q	Switching and signalling
Series R	Telegraph transmission
Series S	Telegraph services terminal equipment
Series T	Terminals for telematic services
Series U	Telegraph switching
Series V	Data communication over the telephone network
Series X	Data networks and open system communications
Series Y	Global information infrastructure
Series Z	Languages and general software aspects for telecommunication systems