



COVERING NOTE

GENERAL SECRETARIAT INTERNATIONAL TELECOMMUNICATION UNION

Subject: CORRIGENDUM

Geneva, 26th of June 1997

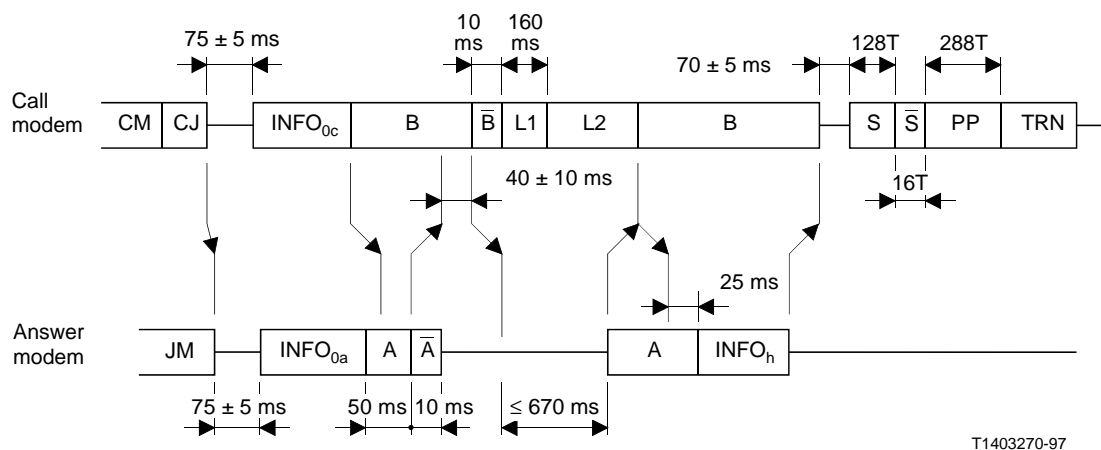
Recommendation ITU-T V.34 (10/96)

TELECOMMUNICATION
STANDARDIZATION SECTOR
OF ITU

Recommendation ITU-T V.34 (10/96):

**A MODEM OPERATING AT DATA SIGNALLING RATES OF UP
TO 33 600 bit/s FOR USE ON THE GENERAL SWITCHED TELEPHONE
NETWORK AND ON LEASED POINT-TO-POINT 2-WIRE
TELEPHONE-TYPE CIRCUITS**

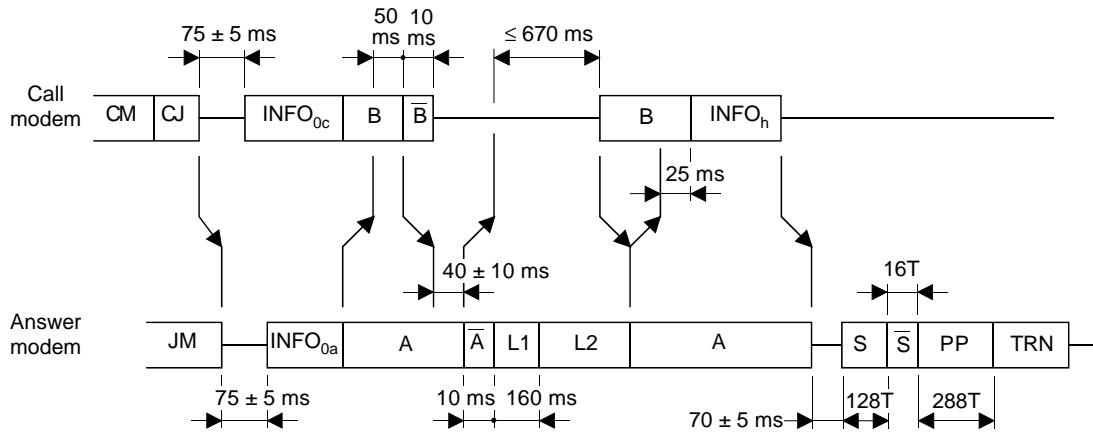
Please find herewith the corrected versions of Figures 23/V.34, 24/V.34, 26/V.34 and 27/V.34.



T1403270-97

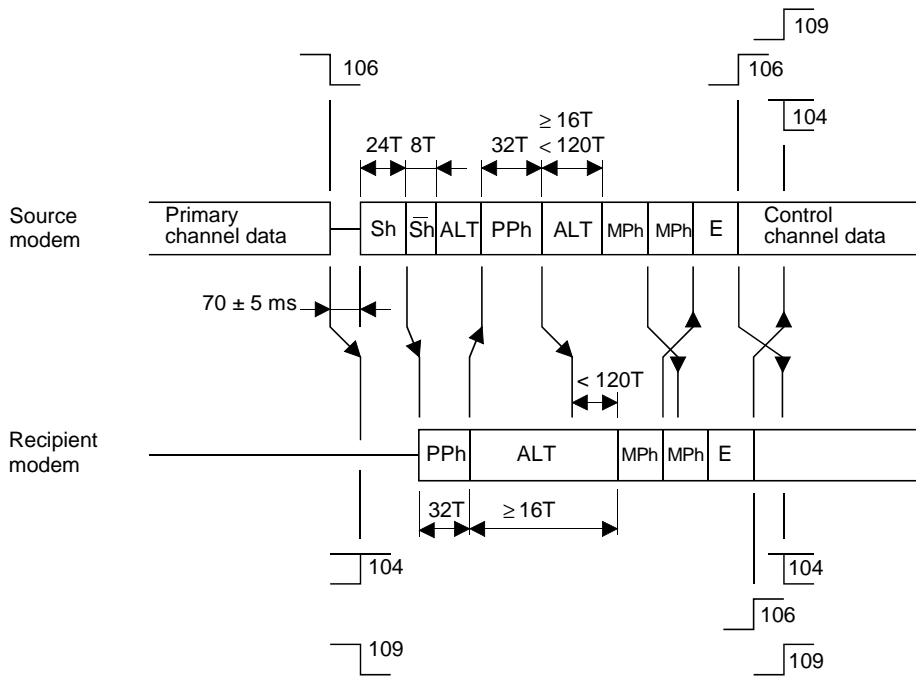
FIGURE 23/V.34

Phases 2 and 3 – Call modem is source modem



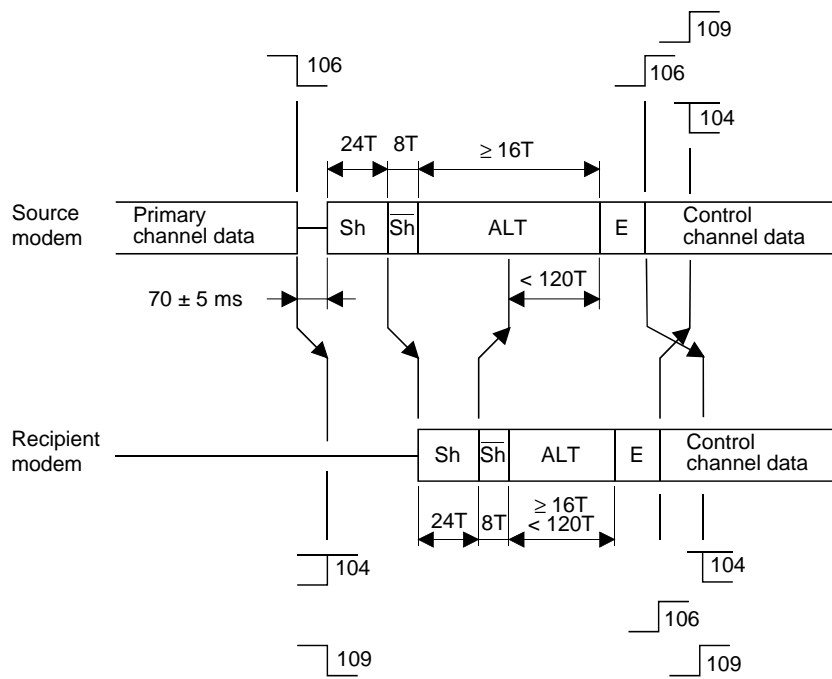
T1403280-97

FIGURE 24/V.34
Phases 2 and 3 – Answer modem is source modem



T1403290-97

FIGURE 26/V.34
Control channel restart when recipient modem requests change



T1403300-97

FIGURE 27/V.34

Control channel resynchronization – Normal between page signalling