



INTERNATIONAL TELECOMMUNICATION UNION

ITU-T

TELECOMMUNICATION
STANDARDIZATION SECTOR
OF ITU

V.32

(03/93)

**DATA COMMUNICATION OVER
THE TELEPHONE NETWORK**

**A FAMILY OF 2-WIRE, DUPLEX MODEMS
OPERATING AT DATA SIGNALLING RATES
OF UP TO 9600 bit/s FOR USE ON
THE GENERAL SWITCHED TELEPHONE
NETWORK AND ON LEASED
TELEPHONE-TYPE CIRCUITS**

ITU-T Recommendation V.32

(Previously "CCITT Recommendation")

FOREWORD

The ITU Telecommunication Standardization Sector (ITU-T) is a permanent organ of the International Telecommunication Union. The ITU-T is responsible for studying technical, operating and tariff questions and issuing Recommendations on them with a view to standardizing telecommunications on a worldwide basis.

The World Telecommunication Standardization Conference (WTSC), which meets every four years, established the topics for study by the ITU-T Study Groups which, in their turn, produce Recommendations on these topics.

ITU-T Recommendation V.32 was revised by the ITU-T Study Group XVII (1988-1993) and was approved by the WTSC (Helsinki, March 1-12, 1993).

NOTES

1 As a consequence of a reform process within the International Telecommunication Union (ITU), the CCITT ceased to exist as of 28 February 1993. In its place, the ITU Telecommunication Standardization Sector (ITU-T) was created as of 1 March 1993. Similarly, in this reform process, the CCIR and the IFRB have been replaced by the Radiocommunication Sector.

In order not to delay publication of this Recommendation, no change has been made in the text to references containing the acronyms "CCITT, CCIR or IFRB" or their associated entities such as Plenary Assembly, Secretariat, etc. Future editions of this Recommendation will contain the proper terminology related to the new ITU structure.

2 In this Recommendation, the expression "Administration" is used for conciseness to indicate both a telecommunication administration and a recognized operating agency.

© ITU 1993

All rights reserved. No part of this publication may be reproduced or utilized in any form or by any means, electronic or mechanical, including photocopying and microfilm, without permission in writing from the ITU.

CONTENTS

	<i>Page</i>
1 Introduction	1
2 Line signals	1
2.1 Carrier frequency	1
2.2 Transmitted spectrum	2
2.3 Modulation rate.....	2
2.4 Coding	2
3 Interchange circuits	3
3.1 List of interchange circuits	3
3.2 Transmit data	3
3.3 Receive data.....	4
3.4 Timing arrangements	4
3.5 Data rate control	4
3.6 Circuit 106	5
3.7 Circuit 109	5
3.8 Electrical characteristics of interchange circuits.....	5
3.9 Fault condition on interchange circuits.....	6
4 Scrambler and descrambler	6
4.1 Scrambler/descrambler allocation.....	8
5 Operating procedures	9
5.1 Recommendation V.25 automatic answering sequence.....	9
5.2 Receiver conditioning signal	9
5.3 Rate signal	10
5.4 Start-up procedure	13
5.5 Retrain procedure.....	15
6 Testing facilities	16
7 Asynchronous to synchronous conversion protocol – Modes of operation	16
7.1 Transmitter.....	16
7.2 Receiver	16
Annex A	17
A.1 Definitions of Terms Used.....	17
A.2 Interworking of Duplex Modems	17
Appendix I – Interworking procedure for echo cancelling modems	20
I.1 Interworking of echo cancelling modems.....	20

**A FAMILY OF 2-WIRE, DUPLEX MODEMS OPERATING AT
DATA SIGNALLING RATES OF UP TO 9600 bit/s FOR USE
ON THE GENERAL SWITCHED TELEPHONE NETWORK
AND ON LEASED TELEPHONE-TYPE CIRCUITS**

*(Malaga-Torremolinos, 1984, amended Melbourne, 1988
and Helsinki, 1993)*

1 Introduction

This family of modems is intended for use on connections on general switched telephone networks (GSTNs) (see Note 1) and on point-to-point leased telephone-type circuits. The principal characteristics of the modems are as follows:

- a) Duplex mode of operation on GSTN and 2-wire point-to-point leased circuits (see Note 2).
- b) Channel separation by echo cancellation techniques.
- c) Quadrature amplitude modulation for each channel with synchronous line transmission at 2400 bauds.
- d) Any combination of the following data signalling rates may be implemented in the modems:
 - 9600 bit/s synchronous (optional),
 - 4800 bit/s synchronous (mandatory),
 - 2400 bit/s synchronous (for further study).
- e) At 9600 bit/s, two alternative modulation schemes, one using 16 carrier states and one using trellis coding with 32 carrier states, are provided for in this Recommendation. However, modems providing the 9600 bit/s data signalling rate shall be capable of interworking using the 16-state alternative.
- f) Exchange of rate sequences during start-up to establish the data rate, coding and any other special facilities.
- g) Optional provision of an asynchronous mode of operation in accordance with Recommendations V.14 or V.42.

NOTES

1 On international GSTN connections that utilize circuits that are in accord with Recommendation G.235 (16-channel terminal equipments), it may be necessary to employ a greater degree of equalization within the modem than would be required for use on most national GSTN connections.

2 The transmit and receive rates in each modem shall be the same. The possibility of asymmetric working remains for further study.

2 Line signals

2.1 Carrier frequency

The carrier frequency is to be 1800 ± 1 Hz. No separate pilot tones are to be provided. The receiver must be able to operate with received frequency offsets of up to ± 7 Hz.

2.2 Transmitted spectrum

The transmitted power level must conform to Recommendation V.2. With continuous binary ones applied to the input of the scrambler, the transmitted energy density at 600 Hz and 3000 Hz should be attenuated 4.5 ± 2.5 dB with respect to the maximum energy density between 600 Hz and 3000 Hz.

2.3 Modulation rate

The modulation rate shall be 2400 bauds $\pm 0.01\%$.

2.4 Coding

2.4.1 Signal element coding for 9600 bit/s

Two alternatives are defined.

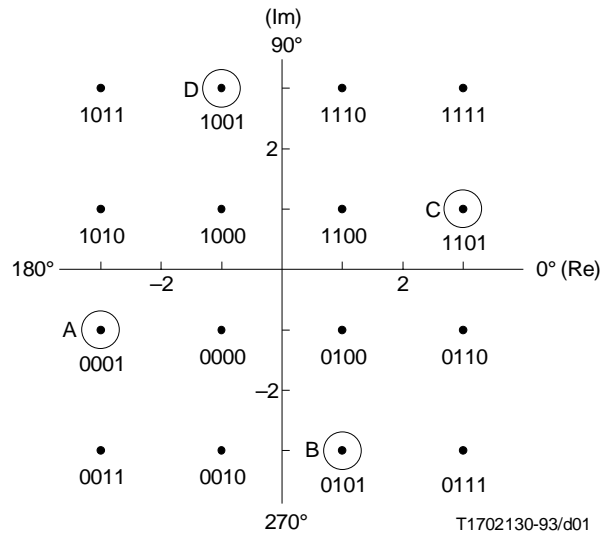
2.4.1.1 Nonredundant coding

The scrambled data stream to be transmitted is divided into groups of 4 consecutive data bits. The first two bits in time $Q1_n$ and $Q2_n$ in each group, where the subscript n designates the sequence number of the group, are differentially encoded into $Y1_n$ and $Y2_n$ according to Table 1. Bits $Y1_n$, $Y2_n$, $Q3_n$ and $Q4_n$ are then mapped into the coordinates of the signal state to be transmitted according to the signal space diagram shown in Figure 1 and as listed in Table 3.

TABLE 1/V.32

Differential quadrant coding for 4800 bit/s and for nonredundant coding at 9600 bit/s

Inputs		Previous outputs		Phase quadrant change	Outputs		Signal state for 4800 bit/s
$Q1_n$	$Q2_n$	$Y1_{n-1}$	$Y2_{n-1}$		$Y1_n$	$Y2_n$	
0	0	0	0	+ 90°	0	1	B
0	0	0	1		1	1	C
0	0	1	0		0	0	A
0	0	1	1		1	0	D
0	1	0	0	0°	0	0	A
0	1	0	1		0	1	B
0	1	1	0		1	0	D
0	1	1	1		1	1	C
1	0	0	0	+180°	1	1	C
1	0	0	1		1	0	D
1	0	1	0		0	1	B
1	0	1	1		0	0	A
1	1	0	0	+270°	1	0	D
1	1	0	1		0	0	A
1	1	1	0		1	1	C
1	1	1	1		0	1	B



NOTE – The binary numbers denote Y_{1_n} Y_{2_n} Q_{3_n} Q_{4_n}

FIGURE 1/V.32

16-point signal structure with nonredundant coding for 9600 bit/s and subset A B C and D of states used at 4800 bit/s and for training

2.4.1.2 Trellis coding

The scrambled data stream to be transmitted is divided into groups of 4 consecutive data bits. As shown in Figure 2, the first two bits in time Q_{1_n} and Q_{2_n} in each group, where the subscript n designates the sequence number of the group, are first differentially encoded into Y_{1_n} and Y_{2_n} according to Table 2. The two differentially encoded bits Y_{1_n} and Y_{2_n} are used as input to a systematic convolutional encoder which generates a redundant bit Y_{0_n} . This redundant bit and the 4 information-carrying bits Y_{1_n} , Y_{2_n} , Q_{3_n} and Q_{4_n} are then mapped into the coordinates of the signal element to be transmitted according to the signal space diagram shown in Figure 3 and as listed in Table 3.

2.4.2 Signal element coding for 4800 bit/s

The scrambled data stream to be transmitted is divided into groups of 2 consecutive data bits. These bits, denoted Q_{1_n} and Q_{2_n} , where Q_{1_n} is the first in time, and the subscript n designates the sequence number of the group, are differentially encoded into Y_{1_n} and Y_{2_n} according to Table 1. Figure 1 shows the subset A, B, C and D of signal states used for 4800 bit/s transmission.

2.4.3 Signal element coding for 2400 bit/s

For further study.

3 Interchange circuits

3.1 List of interchange circuits

These are listed in Table 4.

3.2 Transmit data

The modems shall accept synchronous data from the DTE on circuit 103 under control of circuit 113 or 114.

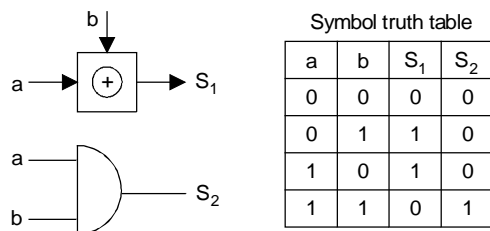
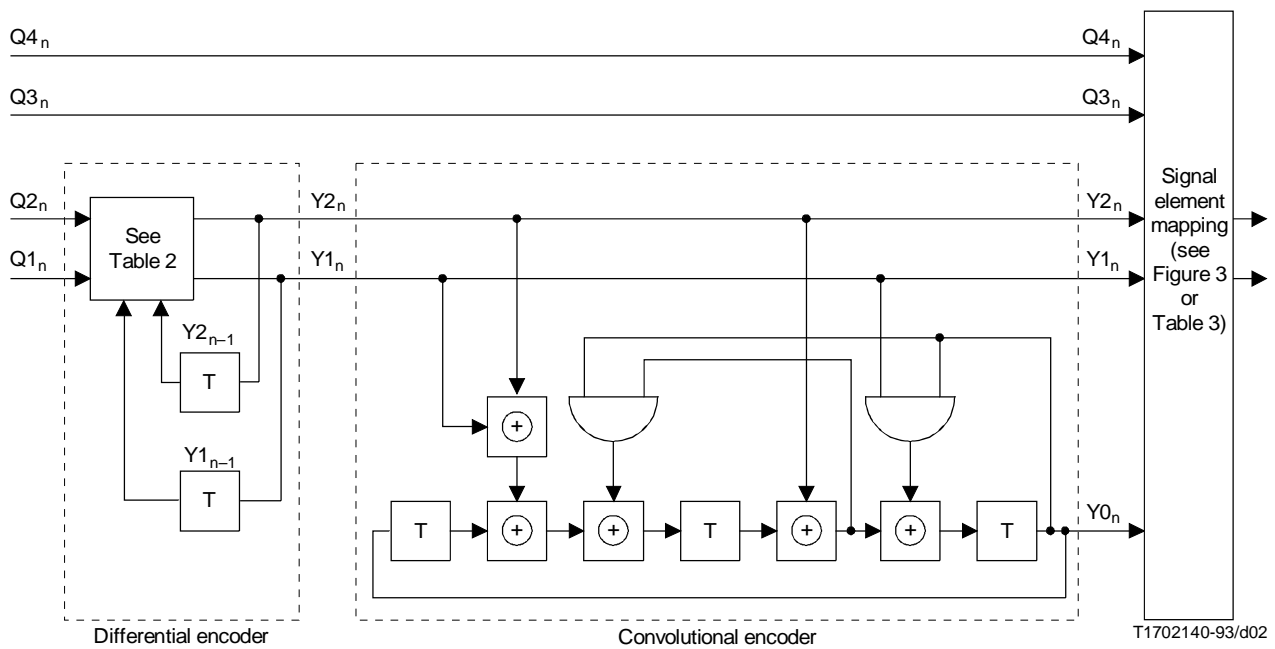


FIGURE 2/V.32
Trellis coding at 9600 bit/s

3.3 Receive data

The modems shall pass synchronous data to the DTE on circuit 104 under the control of circuit 115.

3.4 Timing arrangements

Clocks shall be included in the modems to provide the DTE with transmitter signal element timing on circuit 114 and receiver signal element timing on circuit 115. The transmitter timing may originate in the DTE and be transferred to the modem via circuit 113. In some applications it may be necessary to slave the transmitter timing to the receiver timing inside the modem.

3.5 Data rate control

Data rate selection may be by switch (or similar means) or alternatively by circuit 111. In cases where three different data signalling rates are implemented in a modem, a manual selector may be provided which determines the two data signalling rates selected by circuit 111.

The ON condition of circuit 111 selects the higher data signalling rate and the OFF condition of circuit 111 selects the lower data signalling rate.

TABLE 2/V.32

Differential encoding for use with trellis coded alternative at 9600 bit/s

Inputs		Previous outputs		Outputs	
Q1 _n	Q2 _n	Y1 _{n-1}	Y2 _{n-1}	Y1 _n	Y2 _n
0	0	0	0	0	0
0	0	0	1	0	1
0	0	1	0	1	0
0	0	1	1	1	1
0	1	0	0	0	1
0	1	0	1	0	0
0	1	1	0	1	1
0	1	1	1	1	0
1	0	0	0	1	0
1	0	0	1	1	1
1	0	1	0	0	1
1	0	1	1	0	0
1	1	0	0	1	1
1	1	0	1	1	0
1	1	1	0	0	0
1	1	1	1	0	1

3.6 Circuit 106

After the start-up and retrain sequences, circuit 106 must follow the state of circuit 105 within 2 ms.

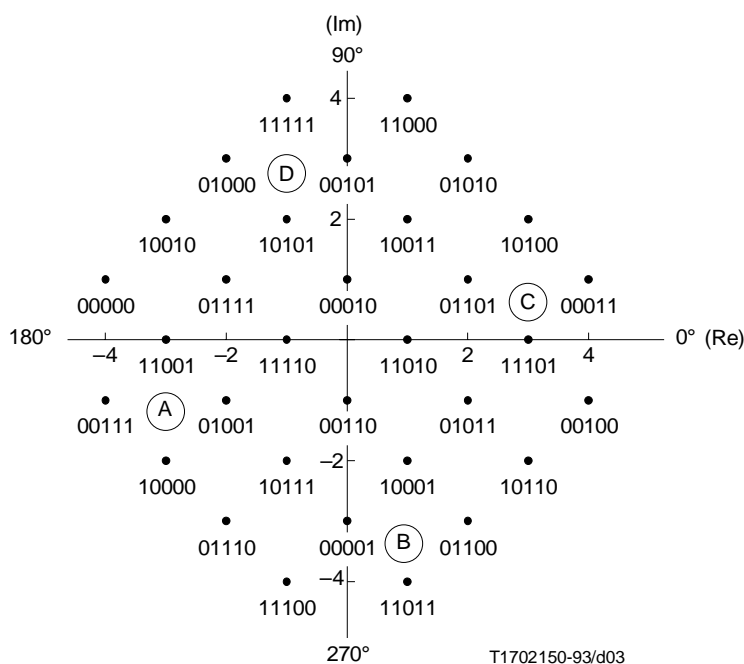
3.7 Circuit 109

OFF to ON and ON to OFF transitions of circuit 109 should occur solely in accordance with the operating sequences defined in 5. Thresholds and response times are inapplicable because a line signal detector cannot be expected to distinguish wanted received signals from unwanted talker echoes.

3.8 Electrical characteristics of interchange circuits

3.8.1 Use of electrical characteristics conforming to Recommendation V.28 is recommended together with the connector and pin assignment plan specified by ISO 2110.

NOTE – Manufacturers may wish to note that the long-term objective is to replace electrical characteristics specified in Recommendation V.28, and that Study Group XVII has agreed that the work shall proceed to develop a more efficient, all-balanced, interface for the V-Series application which minimizes the number of interchange circuits.



NOTE – The binary numbers denote $Y0_n Y1_n Y2_n Q3_n Q4_n$.

FIGURE 3/V.32

32-point signal structure with trellis coding for 9600 bit/s and states A B C and D used at 4800 bit/s and for training

3.9 Fault condition on interchange circuits

See 7/V.28 for association of the receiver failure detection types.

- 3.9.1 The DTE should interpret a fault condition on circuit 107 as an OFF condition using failure detection type 1.
- 3.9.2 The DCE should interpret a fault condition on circuits 105 and 108 as an OFF condition using failure detection type 1.
- 3.9.3 All other circuits not referred to above may use failure detection types 0 or 1.

4 Scrambler and descrambler

A self-synchronizing scrambler/descrambler shall be included in the modem. Each transmission direction uses a different scrambler. The method of allocating the scramblers/descramblers is described in 4.1. According to the direction of transmission, the generating polynomial is:

Call mode modem generating polynomial: $(GPC) = 1 + x^{-18} + x^{-23}$; or

Answer mode modem generating polynomial: $(GPA) = 1 + x^{-5} + x^{-23}$

At the transmitter, the scrambler shall effectively divide the message data sequence by the generating polynomial. The coefficients of the quotients of this division, taken in descending order, form the data sequence which shall appear at the output of the scrambler. At the receiver the received data sequence shall be multiplied by the scrambler generating polynomial to recover the message sequence.

TABLE 3/V.32

The two alternative signal-state mappings for 9600 bit/s

Coded inputs (see Table 1 or Table 2 with Figure 2)					Nonredundant coding		Trellis coding	
(Y0)	Y1	Y2	Q3	Q4	Re	Im	Re	Im
0	0	0	0	0	-1	-1	-4	1
	0	0	0	1	-3	-1	0	-3
	0	0	1	0	-1	-3	0	1
	0	0	1	1	-3	-3	4	1
	0	1	0	0	1	-1	4	-1
	0	1	0	1	1	-3	0	3
	0	1	1	0	3	-1	0	-1
	0	1	1	1	3	-3	-4	-1
	1	0	0	0	-1	1	-2	3
	1	0	0	1	-1	3	-2	-1
	1	0	1	0	-3	1	2	3
	1	0	1	1	-3	3	2	-1
	1	1	0	0	1	1	2	-3
	1	1	0	1	3	1	2	1
	1	1	1	0	1	3	-2	-3
	1	1	1	1	3	3	-2	1
1	0	0	0	0			-3	-2
	0	0	0	1			1	-2
	0	0	1	0			-3	2
	0	0	1	1			1	2
	0	1	0	0			3	2
	0	1	0	1			-1	2
	0	1	1	0			3	-2
	0	1	1	1			-1	-2
	1	0	0	0			1	4
	1	0	0	1			-3	0
	1	0	1	0			1	0
	1	0	1	1			1	-4
	1	1	0	0			-1	-4
	1	1	0	1			3	0
	1	1	1	0			-1	0
	1	1	1	1			-1	4

TABLE 4/V.32

Interchange circuit (see Note 1)		Notes
No.	Description	
102	Signal ground or common return	
103	Transmitted data	
104	Received data	
105	Request to send	
106	Ready for sending	
107	Data set ready	
108/1 or	Connect data set to line	2
108/2	Data terminal ready	2
109	Data channel received line signal detector	
111	Data signalling rate selector (DTE source)	3
112	Data signalling rate selector (DCE source)	3
113	Transmitter signal element timing (DTE source)	5
114	Transmitter signal element timing (DCE source)	6
115	Receiver signal element timing (DCE source)	6
125	Calling indicator	4
140	Loopback/maintenance test	
141	Local loopback	
142	Test indicator	
<p>NOTES</p> <p>1 All interchange circuits which are provided shall comply with the functional and operational requirements of Recommendation V.24. All interchange circuits shall be properly terminated in the data terminal equipment and in the data circuit-terminating equipment in accordance with the appropriate Recommendation for electrical characteristics (see 3.8).</p> <p>2 This circuit shall be capable of operation as circuit 108/1 or circuit 108/2 depending on its use. Operation of circuits 107 and 108/1 shall be in accordance with 4.4/V.24.</p> <p>3 This circuit is not essential when only one data signalling rate is implemented in the modem.</p> <p>4 This circuit is for use with the general switched telephone network only.</p> <p>5 When the modem is not operating in a synchronous mode at the interface, any signals on this circuit shall be disregarded. Many DTEs operating in an asynchronous mode do not have a generator connected to this circuit.</p> <p>6 When the modem is not operating in a synchronous mode at the interface, this circuit shall be clamped to the OFF condition. Many DTEs operating in an asynchronous mode do not terminate this circuit.</p>		

4.1 Scrambler/descrambler allocation

4.1.1 General switched telephone network (GSTN)

On the general switched telephone network, the modem at the calling data station (call mode) shall use the scrambler with the GPC generating polynomial and the descrambler with the GPA generating polynomial. The modem at the answering data station (answer mode) shall use the scrambler with the GPA generating polynomial and the descrambler with the GPC generating polynomial. In some situations, however, such as when calls are established on the GSTN by operators, bilateral agreement on call mode/answer mode allocation will be necessary.

4.1.2 Point-to-point leased circuits

Scrambler/descrambler allocation and call mode and answer mode designation on point-to-point leased circuits will be by bilateral agreement between Administrations or users.

5 Operating procedures

5.1 Recommendation V.25 automatic answering sequence

The Recommendation V.25 automatic answering sequence shall be transmitted from the answer mode modem on international GSTN connections. The transmission of the sequence may be omitted on point-to-point leased circuits or on national connections on the GSTN where permitted by Administrations. In this event, the answer mode modem shall initiate transmission as in the retrain procedure specified in 5.5.

5.2 Receiver conditioning signal

The receiver conditioning signal shall be used in the start-up and retrain procedures defined in 5.4 and 5.5. The signal consists of three segments:

5.2.1 Segment 1, denoted by S in Figures 4 and 5, consists of alternations between states A and B as shown in Figure 1, for a duration of 256 symbol intervals.

5.2.2 Segment 2, denoted by \bar{S} in Figures 4 and 5, consists of alternations between states C and D as shown in Figure 1, for a duration of 16 symbol intervals.

The transition from segment 1 to segment 2 provides a well-defined event in the signal that may be used for generating a time reference in the receiver.

5.2.3 Segment 3, denoted by TRN in Figures 4 and 5, is a sequence derived by scrambling binary ones at a data rate of 4800 bit/s with the scrambler defined in 4. During the transmission of this segment, the differential quadrant encoding shall be disabled. The initial state of the scrambler shall be all zeros, and a binary one applied to the input for the duration of segment 3. Successive dibits are encoded onto transmitted signal states.

The first 256 transmitted signal states are determined from the state of the first bit occurring (in time) in each dibit. When this bit is ZERO, signal state A is transmitted; when this bit is ONE, signal state C is transmitted. Depending on whether the modem is in call or answer mode, the scrambler output patterns and corresponding signal states will then begin as below, where the bits and the signal states are shown in time sequence from left to right.

Call mode modem:

```
GPC:  11 11 11 11 11 11 11 11 11 11 00 00 01 11 11 11  
      C C C C C C C C C C A A A C C C
```

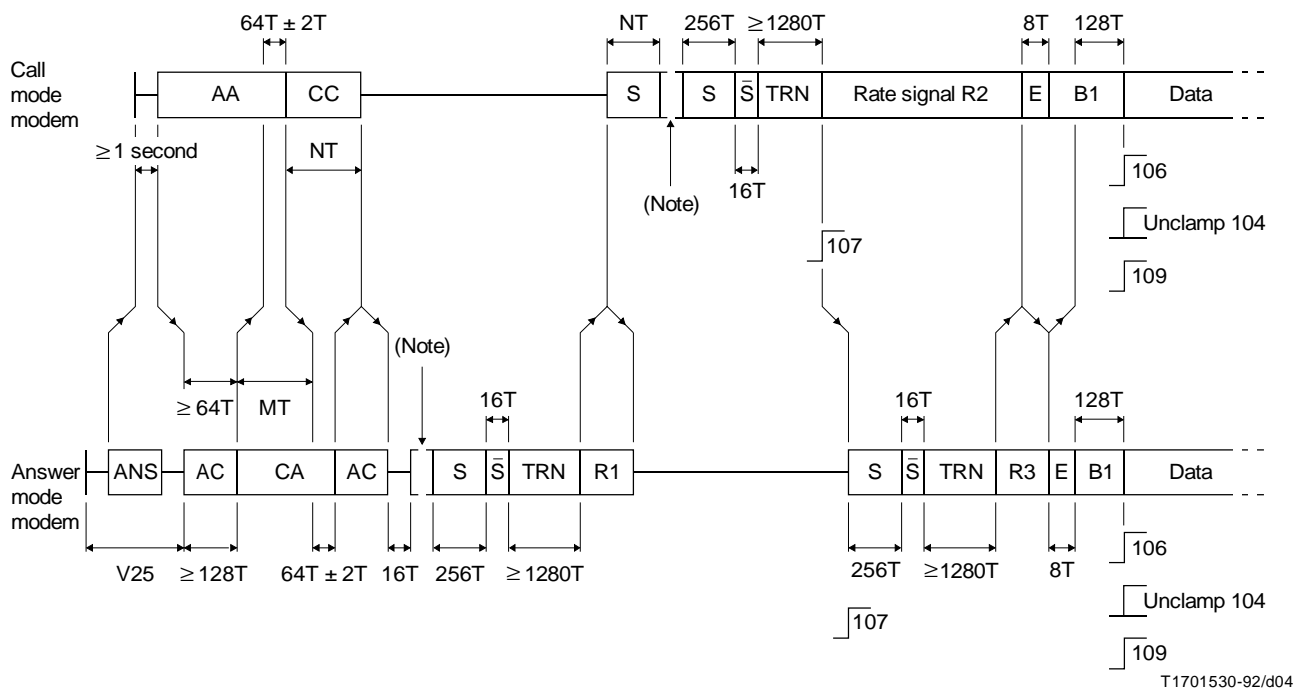
Answer mode modem:

```
GPA:  11 11 10 00 00 11 11 10 00 00 11 10 01 11 11  
      C C C A A C C C A A C C A C C
```

Immediately after 256 such symbols, successive scrambled dibits are encoded onto transmitted signal states in accordance with Table 5 directly without differential encoding for the remainder of segment 3. The duration of segment 3 shall be at least 1280 and not exceed 8192¹⁾ symbol intervals.

Segment 3 is intended for training the adaptive equalizer in the receiving modem and the echo canceller in the transmitting modem.

¹⁾ The maximum duration of 8192 symbol intervals is for further study.



T1701530-92/d04

- AC Signal states ACAC..AC for an even number of symbol intervals T; similarly with CA, AA and CC.
- MT, NT Round-trip delays observed from answer and call modems respectively, including $64T \pm 2T$ modem turn round delay.
- S, \bar{S} Signal states ABAB..AB, CDCD..CD.
- TRN Scrambled ones at 4800 bit/s with dibits encoded directly to states A, B, C and D as defined in 5.2.3.
- R1, R2, R3 Each a repeated 16-bit rate sequence at 4800 bit/s scrambled and differentially encoded as in Table 1.
- E A single 16-bit sequence marking and following the end of a whole number of 16-bit rate sequences in R2 and R3.
- B1 Binary ones scrambled and encoded as for the subsequent transmission of data.

NOTE – The inclusion of a special echo canceller training sequence at this point is optional (see 5.4, Note 3).

FIGURE 4/V.32
Start-up procedure

5.3 Rate signal

The rate signal consists of a whole number of repeated 16-bit binary sequences, as defined in Table 6, scrambled and transmitted at 4800 bit/s with dibits differentially encoded as in Table 1. The differential encoder shall be initialized using the final symbol of the transmitted TRN segment.

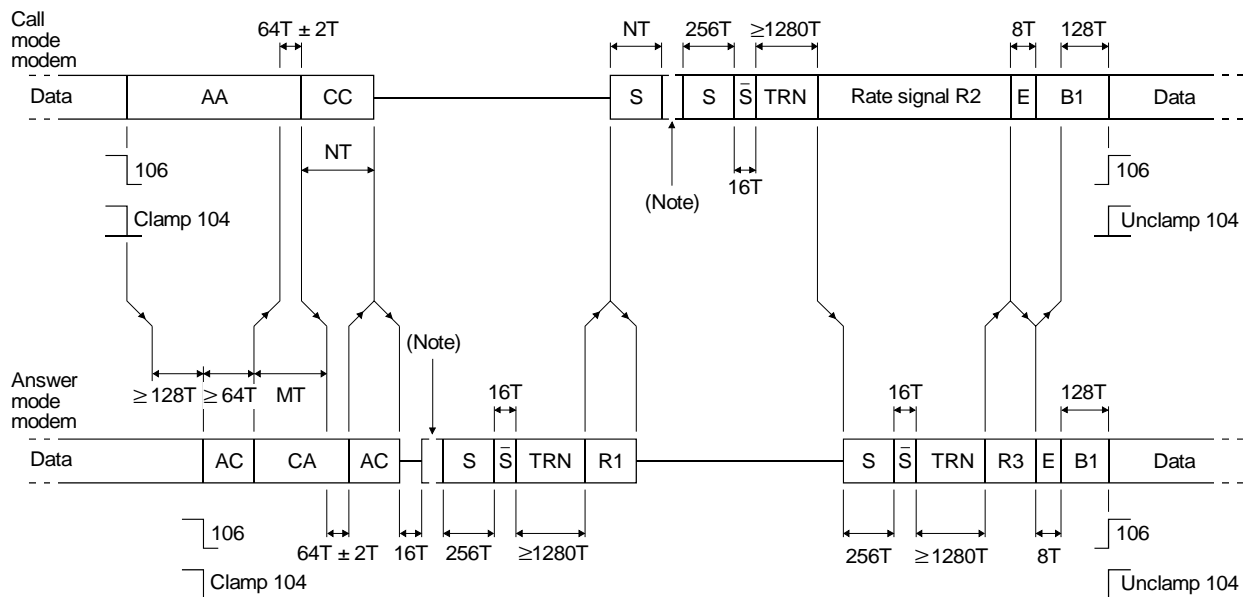
The first two bits and each successive dibit of the rate sequence shall be encoded to form the transmitted signal states.

5.3.1 Detecting a rate signal

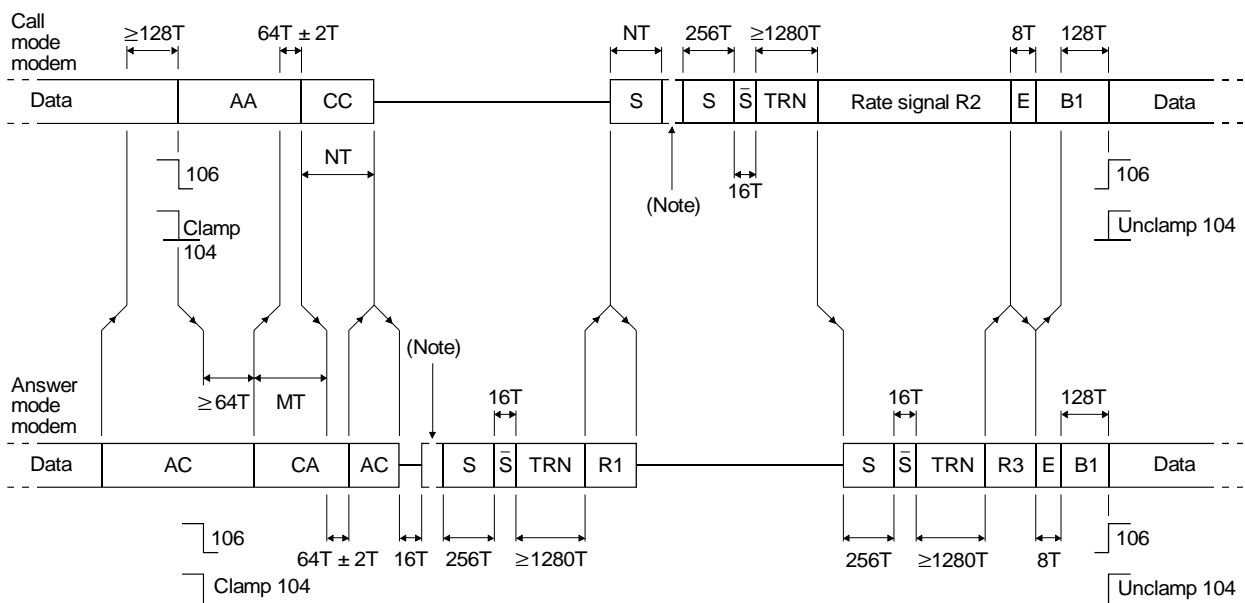
The minimum requirement for detection is the receipt of two consecutive identical 16-bit sequences each with bits B0-3, B7, 11 and 15 conforming to Table 6.

5.3.2 Ending the rate signal

In order to mark the end of transmission of any rate signal other than R1 (Figure 4), the modem shall first complete the transmission of the current 16-bit rate sequence, and then transmit one 16-bit sequence E, coded as shown in Table 7.



a) Retrain initiated by the calling modem



b) Retrain initiated by the answering modem

T1701540-92/d05

- AC Signal states ACAC..AC for an even number of symbol intervals T; similarly with CA, AA and CC.
- MT, NT Round-trip delays observed from answer and call modems respectively, including $64T \pm 2T$ symbol intervals modem turn round delay.
- S, \bar{S} Signal states ABAB..AB, CDCD..CD.
- TRN Scrambled ones at 4800 bit/s with dibits encoded directly to states A, B, C and D as defined in 5.2.3.
- R1, R2, R3 Each a repeated 16-bit rate sequence at 4800 bit/s scrambled and differentially encoded as in Table 1.
- E A single 16-bit sequence marking and following the end of a whole number of 16-bit rate sequences in R2 and R3.
- B1 Binary ones scrambled and encoded as for the subsequent transmission of data.

NOTE – The inclusion of a special echo canceller training sequence at this point is optional (see 5.4, Note 3).

FIGURE 5/V.32

TABLE 5/V.32

Encoding for TRN segment after the first 256 symbols

Dibit	Signal state
00	A
01	B
11	C
10	D

NOTE – Signal states A, B, C and D are shown in Figure 1.

TABLE 6/V.32

Coding of the 16-bit rate sequence

B0	B1	B2	B3	B4	B5	B6	B7	B8	B9	10	11	12	13	14	15	B0	B1	B2	B3	B4	etc.
0	0	0	0	–	–	–	1	–	–	–	1	–	–	–	1	0	0	0	0	–	
<p>B0-3, B7, 11, 15 For synchronizing on a received rate signal</p> <p>B4 1 denotes ability to receive data at 2400 bit/s (see Note 1)</p> <p>B5 1 denotes ability to receive data at 4800 bit/s</p> <p>B6 1 denotes ability to receive data at 9600 bit/s</p> <p>B4-6 0 0 0 calls for a GSTN cleardown</p> <p>B8 1 denotes availability of trellis coding/decoding at the highest data rate indicated in B4-6 (see Note 1)</p> <p>B9-14 0 0 1 0 0 0 denotes absence of special operational modes (see Note 2)</p>																					
<p>NOTES</p> <p>1 The combination of B4 equal one and B8 equal one indicates V.32 <i>bis</i> operation.</p> <p>2 The use of bits B9, 10 and 12 through 14 is defined in Recommendation V.32 <i>bis</i> for data signalling rates other than 4800 and 9600 bit/s.</p>																					

TABLE 7/V.32

Coding of signal E

B0	B1	B2	B3	B4	B5	B6	B7	B8	B9	10	11	12	13	14	15
1	1	1	1	–	–	–	1	–	–	–	1	–	–	–	1
B4-14		As in Table 6, except that the only data rate and coding to be indicated shall relate to the transmission of scrambled binary ones immediately following signal E													

5.4 Start-up procedure

The procedure for achieving synchronism between the calling modem and the answering modem on international GSTN connections is shown in Figure 4. The procedure includes the estimating of round-trip delay from each modem, the training of echo cancellers and receivers initially with half-duplex transmissions, and the exchanging of rate signals for automatic bit-rate and mode selection.

5.4.1 Call mode modem

After receiving the answer tone for a period of at least 1 s as specified in Recommendation V.25, the modem shall be connected to line (see Note 1 in 5.4.2) and shall condition the scrambler and descrambler in accordance with 4.1.

The modem shall repetitively transmit carrier state A as shown in Figure 1.

The modem shall be conditioned to detect (see Note 2 in 5.4.2) one of two incoming tones at frequencies 600 ± 7 Hz and 3000 ± 7 Hz, and subsequently to detect a phase reversal in that tone.

On detection of one such phase reversal, the modem shall be conditioned to detect a second phase reversal in the same tone, start a counter/timer and change to repetitively transmitting state C as shown in Figure 1. The time delay between the reception of this phase reversal at the line terminals and the transmitted AA to CC transition appearing at the line terminals shall be 64 ± 2 symbol periods.

On detection of a second phase reversal in the same incoming tone, the modem shall stop the counter/timer and cease transmitting.

When the modem detects an incoming S sequence (see 5.2), it shall proceed to train its receiver, and then seek to detect at least two consecutive identical 16-bit rate sequences as defined in Table 6.

On detection of the rate signal (R1), the modem shall transmit an S sequence for a period NT already estimated by the counter/timer.

After this period has expired (see Note 3 in 5.4.2), the modem shall transmit the receiver conditioning signal as defined in 5.2, starting with an S sequence for 256 symbol intervals.

Transmission of the TRN segment of the receiver conditioning signal may be extended in order to ensure a satisfactory level of echo cancellation (see Note 4 in 5.4.2).

After the TRN segment, the modem shall apply an ON condition to circuit 107 and transmit a rate signal (R2) in accordance with 5.3 to indicate the currently available data rates and whether trellis coding and/or other special operational modes are available. R2 shall exclude rates and operational modes not appearing in the previously received rate signal R1. It is recommended that R2 should also take account of the likely receiver performance with the particular GSTN connection. If it appears that satisfactory performance cannot be attained at any of the available data rates, then R2 should be used to call for a GSTN clear-down in accordance with Table 6.

Transmission of R2 shall continue until an incoming rate signal R3 is detected. The modem shall then, after completing its current 16-bit rate sequence, transmit a single 16-bit sequence E in accordance with 5.3.2 indicating the data rate, coding and any special operational modes called for in R3. If, however, R3 is calling for a GSTN clear-down in accordance with Table 6, then the call modem shall disconnect from line and effect a clear-down.

The modem shall then transmit continuous scrambled binary ones at the data rate and with the coding called for in R3, and apply the appropriate condition to circuit 112. If trellis coding according to 2.4.1.2 is to be used, the initial states of the delay elements of the convolution encoder shown in Figure 2 should be set to zero.

On detecting an incoming 16-bit E sequence as defined in 5.3.2, the modem shall condition itself to receive data at the rate and with the coding indicated by the incoming E sequence. After a delay of 128 symbol intervals, it shall apply an ON condition to circuit 109, and unclamp circuit 104.

The modem shall then enable circuit 106 to respond to the condition of circuit 105 and be ready to transmit data.

5.4.2 Answer mode modem

On connection to line, the modem shall condition the scrambler and descrambler in accordance with 4.1, and transmit the Recommendation V.25 answer sequence. Means, defined in Recommendation V.25, of disabling network echo cancellers and/or truncating the answer tone may be employed.

After the Recommendation V.25 answer sequence, the modem shall transmit alternate carrier states A and C as shown in Figure 1.

After alternate states A and C have been transmitted for an even number of symbol intervals greater than or equal to 128 *and* an incoming tone has been detected at 1800 ± 7 Hz for 64 symbol periods (see Note 5), the modem shall be conditioned to detect a phase reversal in the incoming tone, start a counter/timer, and change to transmitting alternate carrier states C and A for an even number of symbol intervals.

On detecting a phase reversal in the incoming tone, the modem shall stop the counter/timer and, after transmitting a state A, revert to transmitting alternate states A and C. The time delay between the reception of this phase reversal at the line terminals and the transmitted CA to AC transition appearing at the line terminals shall be 64 ± 2 symbol periods.

When an amplitude drop is detected in the incoming tone, the modem shall cease transmitting for a period of 16 symbol intervals and then (see Note 3) transmit the receiver conditioning signal as defined in 5.2.

Transmission of the TRN segment of the receiver conditioning signal may be extended in order to ensure a satisfactory level of echo cancellation (see Note 4).

After the TRN segment, the modem shall transmit a rate signal (R1) in accordance with 5.3 to indicate the data rates, coding and any special operational modes currently available in the answer modem and associated DTE.

On detection of an incoming S sequence, the modem shall cease transmitting.

The modem shall wait for a period MT already estimated by the counter/timer and then, if an incoming S sequence persists, or when an S sequence reappears (see Note 3), the modem shall proceed to train its receiver.

After training its receiver, the modem shall seek to detect at least two consecutive identical incoming 16-bit rate sequences as defined in 5.3.

On detection of a rate signal (R2), the modem shall apply an ON condition to circuit 107 and transmit a second receiver conditioning signal as defined in 5.2.

After the TRN segment, the modem shall transmit a second rate signal (R3) in order to indicate the data rate, coding and any special operational modes to be used by both modems. The data rate and operational modes selected by R3 shall be within those indicated by R2. It is recommended that R3 should also take account of the likely performance of the answer modem receiver with the particular GSTN connection established. If R2 is calling for a GSTN clear-down (see Table 6) and/or if it appears that satisfactory performance cannot be attained by the answer modem at any of the available data rates, then R3 should call for a GSTN clear-down, in accordance with Table 6.

When the modem detects an incoming 16-bit E sequence as defined in 5.3.2, it shall condition itself to receive data at the rate and with the coding indicated by the E sequence.

The modem shall complete the current 16-bit rate sequence and then transmit a single 16-bit E sequence indicating the data rate and coding to be used in the subsequent transmission of scrambled binary ones. If trellis coding according to 2.4.1.2 is to be used, then the initial states of the delay elements of the convolution encoder shown in Figure 3 should be set to zero.

The modem shall transmit scrambled binary ones for 128 symbol intervals, then enable circuit 106 to respond to the condition of circuit 105 and be ready to transmit data.

The modem shall also apply an ON condition to circuit 109 and unclamp circuit 104.

NOTES

1 Once an incoming tone is detected at 600 ± 7 Hz or 3000 ± 7 Hz, the calling modem should proceed with the start-up sequence even if no 2100 Hz tone has been detected.

2 In some cases, the incoming tones may be preceded by a special pattern which may last up to 3050 ms.

3 The TRN segment in the receiver conditioning signal is suitable for training the echo canceller in the transmitting modem. Alternatively, it is acceptable to precede the receiver conditioning signal by a sequence which can be used specifically for training the echo canceller, but which need not be defined in detail in the Recommendation. The echo cancellation sequence (if used) must maintain energy transmitted to line to hold network echo control devices disabled (as required). In order to avoid confusion with Segments 1 or 2 of the receiver conditioning signal defined in 5.2, the echo cancellation sequence shall produce a transmitted signal such that the sum of its power in the three 200 Hz bands centred at 600 Hz, 1800 Hz and 3000 Hz is at least 1 dB less than its power in the remaining bandwidth. This applies for the relative power averaged over any 6 ms time interval. The duration of this signal must not exceed 8192²⁾ symbol intervals.

4 Manufacturers are cautioned that a period of 650 ms is needed for training any network echo cancellers conforming to Recommendation G.165, that may be encountered on GSTN connections.

5 The answering modem may disconnect from the line if the 1800 ± 7 Hz tone is not detected following transmission of the segment AC. However, to assure compatibility with manual originating data stations, it shall not disconnect for at least 3 seconds after the segment AC has been transmitted.

5.5 Retrain procedure

A retrain may be initiated during data transmission if either modem incorporates a means of detecting unsatisfactory signal reception. Diagram a) of Figure 5 shows a retrain event initiated by the calling modem and diagram b) of Figure 5 shows a retrain event initiated by the answering modem. The procedure is as follows.

5.5.1 Call mode modem

Following detection of unsatisfactory signal reception or detection of one of two tones at frequencies 600 ± 7 Hz and 3000 ± 7 Hz for more than 128 symbol intervals, the modem shall turn OFF circuit 106, clamp circuit 104 to binary one and repetitively transmit carrier state A as shown in Figure 1. It shall then proceed in accordance with 5.4.1 beginning with the third paragraph (see Note in 5.5.2).

5.5.2 Answer mode modem

Following detection of unsatisfactory signal reception or detection of a tone of frequency 1800 ± 7 Hz for more than 128 symbol intervals, the modem shall turn OFF circuit 106, clamp circuit 104 to binary one and transmit alternate carrier states A and C for an even number of symbol intervals not less than 128. It shall then proceed in accordance with 5.4.2 beginning with the third paragraph (see Note).

NOTE – During a retrain, circuit 107 should remain ON.

(The need for a shorter duplex retrain procedure to provide for rapid training of the modem receivers is for further study.)

5.5.3 Operation of circuit 109 during retrain procedure

Circuit 109 shall be maintained in the ON condition except that the OFF condition may optionally be applied if transmission of the AA segment in the Call modem or of the first AC segment in the Answer modem continues for a period exceeding 45 seconds. If the retrain procedure is subsequently completed, the ON condition shall be re-applied to circuit 109 at the time that circuit 104 is unclamped.

²⁾ The maximum duration of 8192 symbol intervals is for further study.

6 Testing facilities

Test loops 2 and 3 as defined in Recommendation V.54 should be provided. Provision for test loop 2 shall be as specified for point-to-point circuits.

7 Asynchronous to synchronous conversion protocol – Modes of operation

The modem can be configured for the following modes of operation (modes 2 and 4 are optional):

- Mode 1 9600 bit/s $\pm 0.01\%$ synchronous.
- Mode 2 9600 bit/s start-stop 8, 9, 10 or 11 bits per character.
- Mode 3 4800 bit/s $\pm 0.01\%$ synchronous.
- Mode 4 4800 bit/s start-stop 8, 9, 10 or 11 bits per character.

7.1 Transmitter

7.1.1 In the synchronous modes of operation, the modem shall accept synchronous data from the DTE on circuit 103 under control of circuit 113 or circuit 114. The data shall then be scrambled in accordance with 4 and then passed to the modulator for encoding in accordance with 2.4.

7.1.2 In the start-stop modes, the modem shall accept a data stream of start-stop characters from the DTE at a nominal rate of 9600 or 4800 bit/s per second. The start-stop data to be transmitted shall be converted in conformity with Recommendation V.14 to a synchronous data stream suitable for transmission in accordance with 7.1.1.

7.2 Receiver

Demodulated data shall be decoded in accordance with 2.4, then descrambled in accordance with 4 and then passed to the converter in conformity with Recommendation V.14 for regaining the data stream of start-stop characters.

The intracharacter signalling rate provided to the DTE over circuit 104 shall be in the ranges given in Table 8 when operating in the basic, or in the extended signalling rate ranges, respectively.

TABLE 8/V.32

Intracharacter signalling rate range

Data rate	Signalling rate range	
	Basic	Extended
9600 bit/s	9600 to 9696 bit/s	9600 to 9821 bit/s
4800 bit/s	4800 to 4848 bit/s	4800 to 4910 bit/s

Annex A

(This annex forms an integral part of this Recommendation)

Considering that there is a need for some V.32 modems to include the capability of interworking with V.22 and V.22 *bis* modems, the following start-up procedures are recommended. A modem which includes this optional capability will be referred to as a V.32 automode modem.

A.1 Definitions of terms used

- ANS The 2100 Hz answer tone defined in Recommendation V.25.
- USB1 Unscrambled binary ones modulated by an answering modem as defined in Recommendation V.22 *bis*.
- SB1 Scrambled binary ones modulated as defined in Recommendation V.22 *bis*.
- S1 Unscrambled double dibit 00 and 11 modulated as defined in Recommendation V.22 *bis*.
- AA See Figure 4.
- AC See Figure 4.

A.2 Interworking of duplex modems

Modems conforming with V.32, V.22 *bis* and V.22 (operating in mode 1 or 2 only) could interwork with a dedicated automode modem implementing a procedure for sensing the capabilities of a remote modem and employing the appropriate modulation scheme.

The procedure can follow two courses. The calling modem makes a decision as to whether its signal AA was detected by the answering modem during the V.25 answer sequence. If the decision indicates that signal AA was detected, the course followed is as depicted in Figure A.1. Otherwise, the course followed is as depicted in Figures A.2 and A.3.

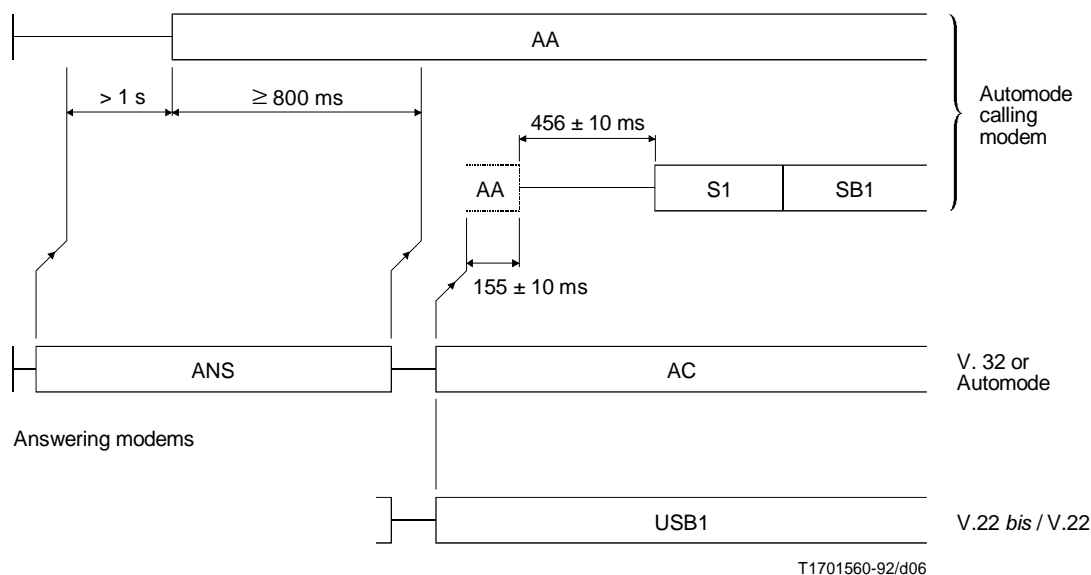


FIGURE A.1/V.32

Procedure when a calling automode modem measures at least 800 ms of signal ANS after it has started transmitting signal AA

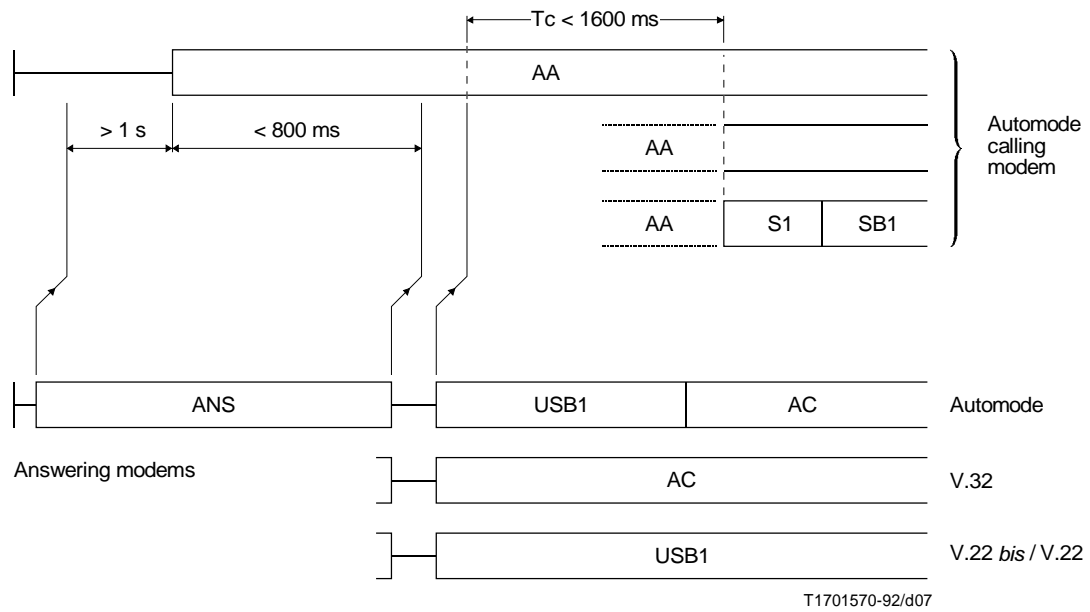


FIGURE A.2/V.32

Procedure when a calling automode modem measures less than 800 ms of signal ANS after it has started transmitting signal AA

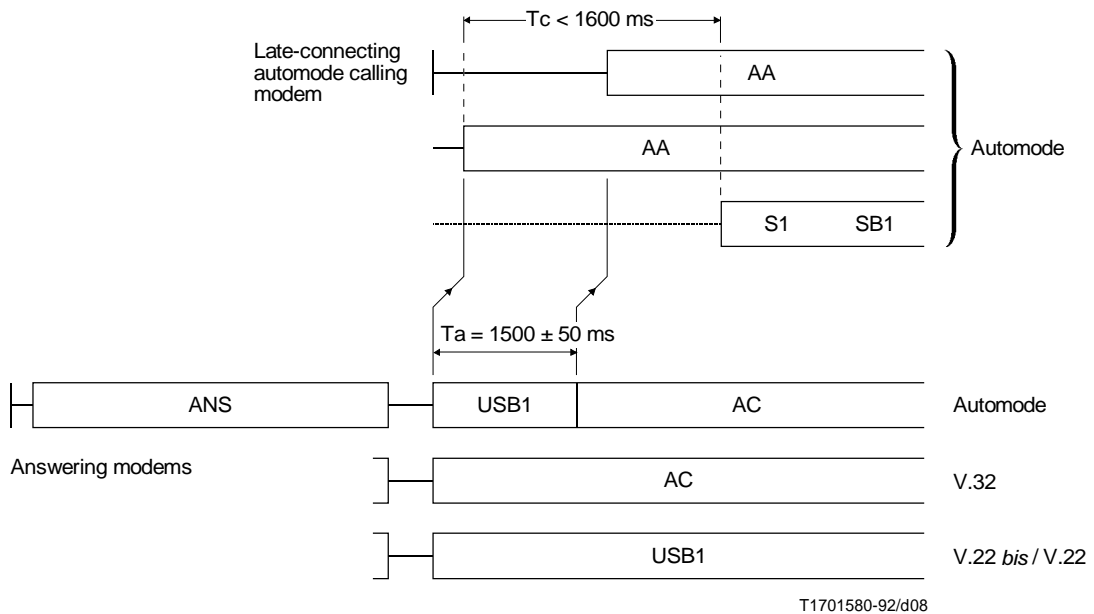


FIGURE A.3/V.32

Procedure when a calling automode modem connects after the V.25 answer sequence

A.2.1 Operation of the calling automode modem

On connection to line, the calling modem shall initially remain silent and shall condition its receiver to detect any of three signals: AC, USB1, ANS.

A.2.1.1 If signal AC is detected, the modem shall begin transmission of signal AA and continue as defined in 5.4.1.

A.2.1.2 If signal USB1 is detected, the modem shall start a timer.

When the elapsed time exceeds T_c , where $T_c > 1600$ ms, if signal USB1 is again detected, the modem shall first transmit signal S1 in the low band, then begin transmitting signal SB1 and then continue with Recommendation V.22 *bis* beginning at 6.3.1.1.1 c). If at any time signal AC is detected, the modem shall continue as defined in 5.4.1.

A.2.1.3 If signal ANS is detected for a period of at least 1 second, the modem shall begin transmission of signal AA, condition its receiver to prepare to detect either signal USB1 or signal AC, and start a timer to measure the duration of the remaining answer tone.

On the detection of the end of signal ANS, the timer is stopped. The timer value shall not include the 75 ms silent period defined in Recommendation V.25.

If, following the 75 ms silent period, signal AC is detected, the modem shall continue with the V.32 training sequence beginning at 5.4.1. When signal USB1 is detected for 155 ± 10 ms (see Note 1 in A.2.2), subsequent procedures shall depend on the duration of signal ANS measured by the timer. If the duration was greater than 800 ms, the modem shall first stop transmitting AA, then, after 456 ms silent period, shall transmit signal S1 in the low band, then begin transmitting signal SB1 and then continue with Recommendation V.22 *bis* beginning at 6.3.1.1.1 c). Otherwise, the modem shall proceed in accordance with A.2.1.2.

A.2.2 Operation of the answering automode modem

On connection to line, the answering modem shall transmit the V.25 answer sequence and condition its receiver to detect signal AA.

If signal AA is detected at any time during the transmission of the V.25 answer sequence, the modem shall continue as defined 5.4.2 at the second paragraph.

If signal AA is not detected during the transmission of the V.25 answer sequence, the modem shall begin transmitting signal USB1, condition its receiver to detect in the low band either of the two signals S1, SB1 and start a timer.

If either of the two signals S1, SB1 are detected in the low band, the modem shall continue as defined in Recommendation V.22 *bis* beginning at 6.3.1.1.2 b). Otherwise, when the elapsed time exceeds T_a , where $T_a = 1500 \pm 50$ ms (see Note 2), the modem shall proceed as defined in 5.4.2 beginning at the second paragraph.

NOTES

1 There is a small possibility that some GSTN signalling systems could produce brief interruptions in transmission during a period in which signal AA may be inhibiting the effect of the 1800 Hz V.22 *bis*/V.22 guard tone transmitted with signal USB1. See Figure A.4.

2 The transmission of USB1 for this maximum duration is recommended in order to avoid signal AC being received and possibly misinterpreted as a loss of carrier by some implementations of V.22 *bis* modems. Some implementations of 1984 and 1988 V.32 modems might be sensitive to more than 294 ms of USB1 (see Note 2 in 5.4.2).

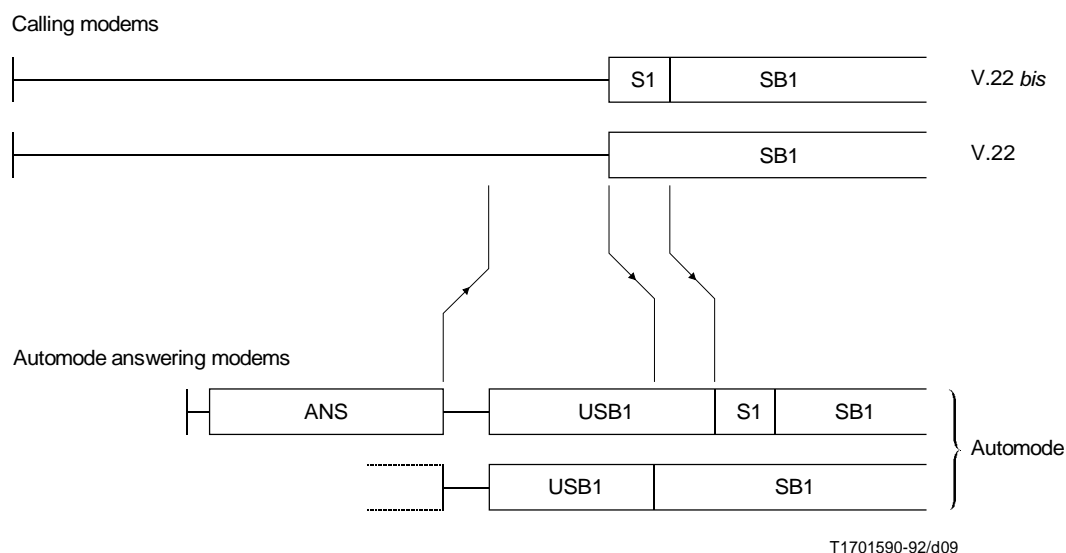


FIGURE A.4/V.32

Answering automode modem interworking with a calling V.22 bis or V.22 modem

Appendix I

Interworking procedure for echo cancelling modems

(This appendix does not form an integral part of this Recommendation)

Considering

- that the V.26 *ter* modem at 2400 bit/s and the V.32 modems at 9600 bit/s and 4800 bit/s are based on the same technique, referred to as echo cancellation;
- that the 1800 Hz carrier frequency is the same for the two modems;
- that there may be a need for a modem, referred to as multimode, able to interwork with V.26 *ter* and V.32 modems;
- that the determination of round-trip delay may be useful in some cases,

the handshaking operating sequence defined in the following subclauses is provided for the information of manufacturers.

I.1 Interworking of echo cancelling modems

The V.32 modems at 9600 bit/s and 4800 bit/s and the V.26 *ter* modems at 2400 bit/s could interwork with a dedicated multimode modem implementing both V.32 and V.26 *ter* capabilities, as illustrated in Table I.1.

TABLE I.1/V.32
Handshaking compatibility

Answering \ Calling	V.26 <i>ter</i>	V.32	M (Multimode)
V.26 <i>ter</i>	SYN 1200	No energy	SYN 1200 then F1 (Note)
V.32	F2 Wait at least $T1 = 300$ ms	F2	SYN 1200 then F1 (Note)
M (Multimode)	SYN 1200	Detected transmit F2	SYN 1200 then F1 (Note)

Answer multimode modem

SYN 1200	RP	F1
----------	----	----

F1 Tones at 600 ± 7 Hz and 3000 ± 7 Hz generated by alternately transmitting carrier states A and C.
 F2 Tone at 1800 ± 7 Hz generated by repetitively transmitting carrier state A.
 NOTE – The modem M is distinguished by a special rate pattern.

T1702160-93/d10

I.1.1 Operation of the calling multimode modem

The modem will recognize:

- A V.26 *ter* modem by detecting the 1200 baud synchronization signals followed by a rate pattern and then will proceed as defined in V.26 *ter* (see Figure I.1).
- V.32 modems by the detection of one of two incoming tones at frequencies 600 ± 7 Hz and 3000 ± 7 Hz (see Figure I.2). It will then proceed as defined in 5.4.1.
- A multimode modem by the detection of a special rate pattern assigned to the multimode modem. It will transmit, as shown in Figure I.3, repetitively carrier state A or the synchronizing signals followed by the rate pattern, according to the selected mode of operation: V.32 or V.26 *ter* respectively.

I.1.2 Operation of the answering multimode modem

After the V.25 sequence, the modem will transmit the 1200 baud synchronizing signals followed by its special rate pattern, and then alternate carrier states A and C as defined in Recommendation V.32.

It will recognize during the transmission of these alternate carrier states A and C:

- a V.26 *ter* modem by the detection of the 1200 baud synchronizing signals followed by a rate pattern. It will stop transmitting alternate carrier states A and C and proceed according to Recommendation V.26 *ter* (see Figure I.4);
- V.32 modems by recognizing a tone at 1800 ± 7 Hz and will then proceed as defined in Recommendation V.32 (see Figure I.5).

The case of multimode modems on both answering and calling sides has been considered in I.1.1.

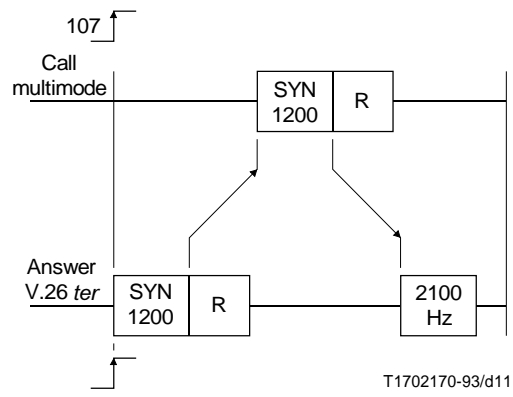


FIGURE I.1/V.32

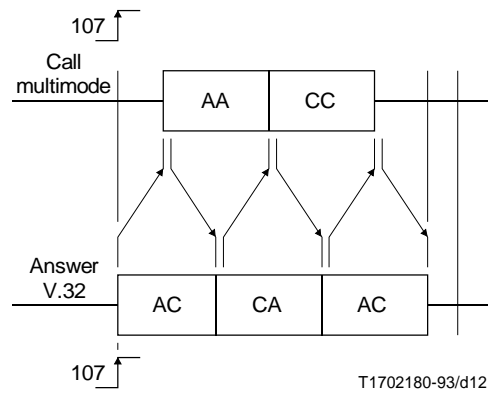


FIGURE I.2/V.32

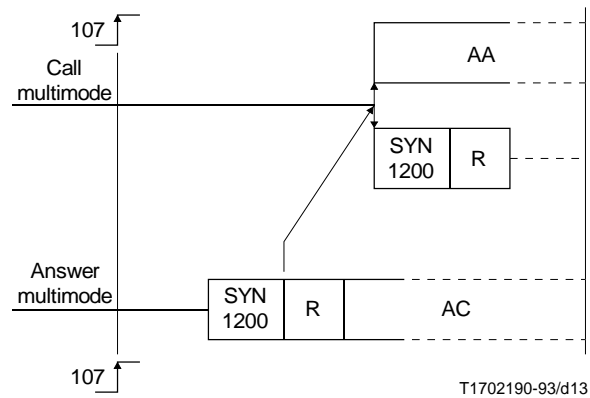


FIGURE I.3/V.32

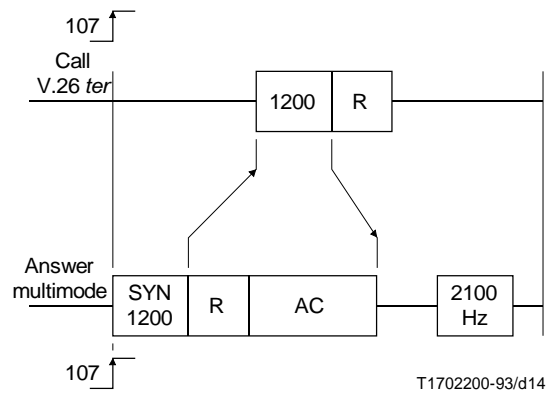


FIGURE I.4/V.32

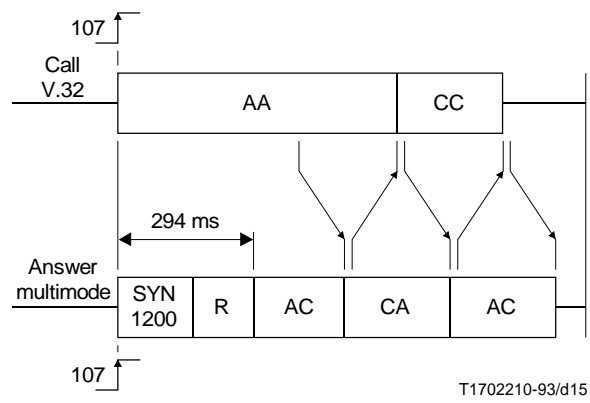


FIGURE I.5/V.32