



INTERNATIONAL TELECOMMUNICATION UNION

ITU-T

TELECOMMUNICATION
STANDARDIZATION SECTOR
OF ITU

V.8

(05/99)

SERIES V: DATA COMMUNICATION OVER THE
TELEPHONE NETWORK

General

**Procedures for starting sessions of data
transmission over the public switched
telephone network**

ITU-T Recommendation V.8

(Previously CCITT Recommendation)

ITU-T V-SERIES RECOMMENDATIONS
DATA COMMUNICATION OVER THE TELEPHONE NETWORK

General	V.1–V.9
Interfaces and voiceband modems	V.10–V.34
Wideband modems	V.35–V.39
Error control	V.40–V.49
Transmission quality and maintenance	V.50–V.59
Simultaneous transmission of data and other signals	V.60–V.99
Interworking with other networks	V.100–V.199
Interface layer specifications for data communication	V.200–V.249
Control procedures	V.250–V.299
Modems on digital circuits	V.300–V.399

For further details, please refer to ITU-T List of Recommendations.

ITU-T RECOMMENDATION V.8

PROCEDURES FOR STARTING SESSIONS OF DATA TRANSMISSION OVER THE PUBLIC SWITCHED TELEPHONE NETWORK

Summary

This Recommendation defines signals to be exchanged between DCEs over the PSTN when a session of data transmission needs to be established, but before signals are exchanged which are specific to a particular Recommendation. It provides means to automatically determine the best available operational mode between two DCEs connected via the PSTN, provides a timely indication to Circuit Multiplication Equipments on the V-series modulation to be employed in a new session of data transmission, provides a means to enable a PSTN call to be passed on automatically to an appropriate DCE, and provides signals for interacting with PSTN echo-control equipment.

This revised Recommendation defines additional call function types, defines procedures for the exchange of non-standard facilities information, and adds support for V.90 modulation modes.

Source

ITU-T Recommendation V.8 was revised by ITU-T Study Group 16 (1997-2000) and was approved under the WTSC Resolution No. 1 procedure on 27 May 1999.

FOREWORD

ITU (International Telecommunication Union) is the United Nations Specialized Agency in the field of telecommunications. The ITU Telecommunication Standardization Sector (ITU-T) is a permanent organ of the ITU. The ITU-T is responsible for studying technical, operating and tariff questions and issuing Recommendations on them with a view to standardizing telecommunications on a worldwide basis.

The World Telecommunication Standardization Conference (WTSC), which meets every four years, establishes the topics for study by the ITU-T Study Groups which, in their turn, produce Recommendations on these topics.

The approval of Recommendations by the Members of the ITU-T is covered by the procedure laid down in WTSC Resolution No. 1.

In some areas of information technology which fall within ITU-T's purview, the necessary standards are prepared on a collaborative basis with ISO and IEC.

NOTE

In this Recommendation the term *recognized operating agency (ROA)* includes any individual, company, corporation or governmental organization that operates a public correspondence service. The terms *Administration*, *ROA* and *public correspondence* are defined in the *Constitution of the ITU (Geneva, 1992)*.

INTELLECTUAL PROPERTY RIGHTS

The ITU draws attention to the possibility that the practice or implementation of this Recommendation may involve the use of a claimed Intellectual Property Right. The ITU takes no position concerning the evidence, validity or applicability of claimed Intellectual Property Rights, whether asserted by ITU members or others outside of the Recommendation development process.

As of the date of approval of this Recommendation, the ITU had received notice of intellectual property, protected by patents, which may be required to implement this Recommendation. However, implementors are cautioned that this may not represent the latest information and are therefore strongly urged to consult the TSB patent database.

ITU 2000

All rights reserved. No part of this publication may be reproduced or utilized in any form or by any means, electronic or mechanical, including photocopying and microfilm, without permission in writing from the ITU.

CONTENTS

	Page
1	Scope..... 1
2	References..... 1
3	Definitions 3
4	Overview of the Recommendation 3
4.1	Call indication..... 3
4.2	Call menu/Joint menu exchange..... 3
5	Coding format 4
5.1	Category octets..... 4
5.2	Extension octets 4
6	Code tables..... 4
6.1	Call functions..... 5
6.2	Modulation modes 6
6.3	PCM Modem availability..... 6
6.4	Protocols 7
6.5	PSTN access 7
6.6	Non-standard facilities..... 8
7	Descriptions of signals..... 8
7.1	Function indicator signal CI..... 8
7.2	Modified answer tone ANSam..... 8
7.3	The Call Menu signal CM 9
7.4	The Joint Menu signal JM 9
8	Data session start-up procedure 10
8.1	Start-up procedure in the call DCE..... 11
8.1.1	Call signal transmission..... 11
8.1.2	Call menu transmission 11
8.2	Start-up procedure in the answer DCE 11
8.2.1	ANS transmission 12
8.2.2	ANSam transmission 12
8.2.3	JM transmission..... 12
9	DTE-DCE interchange circuits..... 12

Recommendation V.8

PROCEDURES FOR STARTING SESSIONS OF DATA TRANSMISSION OVER THE PUBLIC SWITCHED TELEPHONE NETWORK

(revised in 1999)

1 Scope

This Recommendation defines signals to be exchanged between DCEs over the PSTN when a session of data transmission needs to be established, but before signals are exchanged which are specific to a particular modem Recommendation.

This Recommendation provides the following features:

- A means to determine automatically, prior to initiation of modem handshake, the best available operational mode between two DCEs connected via the PSTN. Many DCEs can provide operation according to a number of different V-series modem Recommendations.
- A timely indication to Circuit Multiplication Equipments (CMEs) on the V-series modulation to be employed in any new session of data transmission. CMEs in the PSTN will increasingly need to deploy demodulation/remodulation in order to maintain and improve data signalling rates.
- A means to enable a PSTN call to be passed on automatically to an appropriate DCE, with the minimum potential for adversely affecting existing DCEs.
- Signals for interacting with PSTN echo-control equipment, as provided for in Recommendation V.25.

2 References

The following ITU-T Recommendations and other references contain provisions which, through reference in this text, constitute provisions of this Recommendation. At the time of publication, the editions indicated were valid. All Recommendations and other references are subject to revision; all users of this Recommendation are therefore encouraged to investigate the possibility of applying the most recent edition of the Recommendations and other references listed below. A list of the currently valid ITU-T Recommendations is regularly published.

- ITU-T Recommendation H.324 (1998), *Terminal for low bit-rate multimedia communication.*
- ITU-T Recommendation T.30 (1999), *Procedures for document facsimile transmission in the general switched telephone network.*
- CCITT Recommendation T.35¹ (1991), *Procedure for the allocation of CCITT defined codes for non-standard facilities.*
- ITU-T Recommendation T.101 (1994), *International interworking for videotex services.*
- CCITT Recommendation V.2 (1988), *Power levels for data transmission over telephone lines.*
- CCITT Recommendation V.17 (1991), *A 2-wire modem for facsimile applications with rates up to 14 400 bit/s.*

¹ A new draft version of Recommendation T.35 will be submitted for approval in February 2000.

- ITU-T Recommendation V.18 (1998), *Operational and interworking requirements for DCEs operating in the text telephone mode.*
- CCITT Recommendation V.21 (1984), *300 bits per second duplex modem standardized for use in the general switched telephone network.*
- CCITT Recommendation V.22 (1988), *1200 bits per second duplex modem standardized for use in the general switched telephone network and on point-to-point 2-wire leased telephone-type circuits.*
- CCITT Recommendation V.22 bis (1988), *2400 bits per second duplex modem using the frequency division technique standardized for use on the general switched telephone network and on point-to-point 2-wire leased telephone-type circuits.*
- CCITT Recommendation V.23 (1988), *600/1200-baud modem standardized for use in the general switched telephone network.*
- ITU-T Recommendation V.25 (1996), *Automatic answering equipment and general procedures for automatic calling equipment on the general switched telephone network including procedures for disabling of echo control devices for both manually and automatically established calls.*
- CCITT Recommendation V.26 bis (1984), *2400/1200 bits per second modem standardized for use in the general switched telephone network.*
- CCITT Recommendation V.26 ter (1988), *2400 bits per second duplex modem using the echo cancellation technique standardized for use on the general switched telephone network and on point-to-point 2-wire leased telephone-type circuits.*
- CCITT Recommendation V.27 ter (1984), *4800/2400 bits per second modem standardized for use in the general switched telephone network.*
- CCITT Recommendation V.29² (1988), *9600 bits per second modem standardized for use on point-to-point 4-wire leased telephone-type circuits.*
- ITU-T Recommendation V.32 (1993), *A family of 2-wire, duplex modems operating at data signalling rates of up to 9600 bit/s for use on the general switched telephone network and on leased telephone-type circuits.*
- CCITT Recommendation V.32 bis (1991), *A duplex modem operating at data signalling rates of up to 14 400 bit/s for use on the general switched telephone network and on leased point-to-point 2-wire telephone-type circuits.*
- ITU-T Recommendation V.34 (1998), *A modem operating at data signalling rates of up to 33 600 bit/s for use on the general switched telephone network and on leased point-to-point 2-wire telephone-type circuits.*
- ITU-T Recommendation V.42 (1996), *Error-correcting procedures for DCEs using asynchronous-to-synchronous conversion.*
- ITU-T Recommendation V.90 (1998), *A digital modem and analogue modem pair for use on the Public Switched Telephone Network (PSTN) at data signalling rates of up to 56 000 bit/s downstream and up to 33 600 bit/s upstream.*
- ITU-T Recommendation V.91 (1999), *A digital modem operating at data signalling rates of up to 64 000 bit/s for use in a 4-wire circuit switched connection and on leased point-to-point 4-wire digital circuits.*

² With PSTN usage defined in a T-series Recommendation.

3 Definitions

This Recommendation defines the following terms:

- 3.1 call indicator signal (CI):** A signal transmitted from the call DCE to indicate the general communication function. CI is transmitted with an ON/OFF cadence defined in 7.1. The ON periods consist of a repetitive sequence of bits at 300 bit/s, modulating V.21(L), the low-band channel defined in Recommendation V.21.
- 3.2 signal CNG:** The call tone defined in Recommendation T.30.
- 3.3 signal CT:** Any call tone allowed for in Recommendation V.25.
- 3.4 call menu signal (CM):** A signal (see 7.3) transmitted from the call DCE primarily to indicate modulation modes available in the call DCE. CM consists of a repetitive sequence of bits at 300 bit/s, modulating V.21(L), the low-band channel defined in Recommendation V.21.
- 3.5 CM terminator (CJ):** A signal which acknowledges the detection of a JM signal and indicates the end of a CM signal. CJ consists of three consecutive octets of all ZEROs with start and stop bits, modulating V.21(L) at 300 bit/s.
- 3.6 joint menu signal (JM):** A signal (see 7.4) transmitted from the answer DCE primarily to indicate modulation modes available jointly in the call and answer DCEs. JM consists of a repetitive sequence of bits at 300 bit/s, modulating V.21(H), the high-band channel defined in Recommendation V.21.
- 3.7 ANS:** Answer tone as defined in Recommendation V.25.
- 3.8 ANSam:** A sinewave signal at 2100 Hz, amplitude-modulated, as defined in 7.2.
- 3.9 sigC:** A signal transmitted by a call DCE specific to a V-series modem Recommendation.
- 3.10 sigA:** A signal transmitted by an answer DCE specific to a V-series modem Recommendation.
- 3.11 PCM Modem:** A class of modems as specified in the ITU-T V.9x series of Recommendations.

4 Overview of the Recommendation

4.1 Call indication

The V.8 alternative to call tone (CT), signal CI, carries information to permit the selection of call functions, e.g. facsimile or data. The subsequent CM/JM exchange also provides for this function as well as other functions outlined in this Recommendation.

4.2 Call menu/Joint menu exchange

The exchange of call menu and joint menu signals, CM and JM, enables DCEs to choose, for a forthcoming data session on the PSTN, the best V-series modulation mode from those available in both the call and answer DCEs.

The CM/JM exchange also provides for protocol selection, PSTN access indication, and non-standard facilities.

JM signals also provide information in a form suitable for PSTN Circuit Multiplication Equipment (CME) prior to the onset of modem training.

5 Coding format

Signals CI, CM and JM use a common coding format. Each of these signals consists of a repeated sequence of bits. A sequence consists of 10 ONEs followed by 10 bits for synchronization and then information-bearing octets, each octet being preceded by a start-bit (ZERO), and followed by a stop-bit (ONE).

To avoid confusion of signal JM with T.30 signals which also use V.21(H) modulation, a coding constraint is maintained which ensures that HDLC flags (0111110) cannot appear in the bit stream.

Each octet lies within one "formation category". The coding format allows information categories to be expanded for special applications, while keeping signals brief for the majority of applications.

The first information category in a sequence shall be the call function. No particular ordering is required for subsequent information categories. All information within one category shall be carried in one octet or, when necessary, in an ordered sequence of octets.

5.1 Category octets

Category octets are those which occur first in any new information category, and include a 4-bit code identifying the information category. The format is shown below with bits listed from left to right in order of transmission:

start-bit (0) b0 b1 b2 b3 0 b5 b6 b7 stop-bit (1)

Bits b0-b3 make up the category tag with b0 the least significant bit, b4 is set to ZERO to prevent flag simulation, and bits b5-b7 are "option bits" relevant to the information category.

5.2 Extension octets

When 3 option bits are inadequate for a particular category, any number of extension octets may follow directly after a category octet. The format for an extension octet is shown below:

start-bit (0) b0 b1 b2 0 1 0 b6 b7 stop-bit (1)

Bits b0-b2, b6 and b7 provide five additional option bits in the current category. Bit b4 is set to ONE in order to distinguish an extension octet from a category octet, and bits b3 and b5 are set to ZERO to prevent flag simulation.

6 Code tables

Information categories and extension octets beyond those specified in the tables below are all reserved for future definition by the ITU-T. To be compatible with future versions of this Recommendation, a receiver shall ignore all bits, codes and octets reserved for such future definition.

Table 1 shows the preamble to each signal sequence. This consists of ten ONEs followed by ten bits for synchronization.

Table 1/V.8 – Preamble

1	1	1	1	1	1	1	1	1	1	Ten ONEs preceding each information sequence
0	0	0	0	0	0	0	0	0	1	Synchronization for CI sequences
0	0	0	0	0	0	1	1	1	1	Synchronization for CM and JM sequences

Table 2 lists the information categories, identified by a 4-bit category tag b0-b3.

Table 2/V.8 – Information categories

Start	b0	b1	b2	b3	b4	b5	b6	b7	Stop	Category octets (b4 = 0) with category given by tag b0-b3
0	1	0	0	0	0	x	x	x	1	Call function
0	1	0	1	0	0	x	x	x	1	Modulation modes
0	0	1	0	1	0	x	x	x	1	Protocols
0	1	0	1	1	0	x	x	x	1	PSTN access
0	1	1	1	1	0	x	x	x	1	Non-standard facilities
0	0	1	1	0	0	x	x	x	1	PCM modem availability
0	1	1	1	0	0	x	x	x	1	Defined in Recommendation T.66

6.1 Call functions

Table 3 shows how the 3 option bits in a call-function octet are used to identify particular call functions.

Table 3/V.8 – The call function category

Start	b0	b1	b2	b3	b4	b5	b6	b7	Stop	Octet – "callf0"	Reference
0	1	0	0	0						Tag b0-b3 indicating the call function category	
					0					Indicates a category octet	
						0	0	0		To be determined by the ITU-T	
						1	0	0		PSTN Multimedia Terminal	Recommendation H.324
						0	1	0		Textphone	Textphone according to Recommendation V.18
						1	1	0		Videotext	Recommendation T.101
						0	0	1		Transmit facsimile from call terminal	Recommendation T.30
						1	0	1		Receive facsimile at call terminal	Recommendation T.30
						0	1	1		Data (unspecified application)	V-series modem Recommendations
						1	1	1		Call function as indicated in an extension octet	
									1	Stop bit	

6.2 Modulation modes

Table 4 shows the coding over 3 octets to indicate availability of PSTN V-series modulation modes other than PCM modems. Availability shall be shown only if the modulation mode can be used with the indicated call function, and if it is desired to convey that capability to the remote DCE.

Table 4/V.8 – Modulation modes

Start	b0	b1	b2	b3	b4	b5	b6	b7	Stop	Octet – "modn0"	Item
0	1	0	1	0						Tag b0-b3 indicating the modulation modes category	
					0					Indicates a category octet	
						x				1 when PCM Modem availability category is present	0
							x			1 denotes V.34 duplex availability	1
								x		1 denotes V.34 half-duplex availability	2
									1	Stop bit	
0										Octet – "modn1"	
	x									1 denotes V.32 <i>bis</i> /V.32 availability	3
		x								1 denotes V.22 <i>bis</i> /V.22 availability	4
			x							1 denotes V.17 availability	5
				0	1	0				Indicates an extension octet	
							x			1 denotes V.29 half-duplex availability (as used in Recommendation T.30, etc.)	6
								x		1 denotes V.27 <i>ter</i> availability	7
									1	Stop bit	
0										Octet – "modn2"	
	x									1 denotes V.26 <i>ter</i> availability	8
		x								1 denotes V.26 <i>bis</i> availability	9
			x							1 denotes V.23 duplex availability	10
				0	1	0				Indicates an extension octet	
							x			1 denotes V.23 half-duplex availability	11
								x		1 denotes V.21 availability	12
									1	Stop bit	

6.3 PCM Modem availability

Table 5 shows the coding to indicate availability of PCM modem modulation modes. Availability shall be shown only if the modulation mode can be used with the indicated call function, and if it is desired to convey that capability to the remote DCE. If either bit b5 or b6 in octet pcm0 is set, the V.34 availability bit in the modulation category shall also be set.

When this category is present, the PSTN access category shall also be present. When this category is present and the modulation modes category is present, bit b5 in the first modulation category octet shall be set to ONE.

Table 5/V.8 – The V.90 availability category

Start	b0	b1	b2	b3	b4	b5	b6	b7	Stop	Octet – "pcm0"
0	1	1	1	0						Tag b0-b3 indicates the PCM Modem availability category
					0					Indicates a category octet
						x				1 denotes V.90 analogue modem availability
							x			1 denotes V.90 digital modem availability
								0		1 denotes V.91 availability
									1	Stop bit

6.4 Protocols

Table 6 lists codes within the protocol category.

If the LAPM protocol code is indicated in CM and the answer DCE wishes to use LAPM, a protocol octet is also transmitted in JM indicating LAPM.

Table 6/V.8 – The protocol category

Start	b0	b1	b2	b3	b4	b5	b6	b7	Stop	Octet – "prot0"
0	0	1	0	1						Tag b0-b3 indicates the protocol category
					0					Indicates a category octet
						1	0	0		Calls for LAPM protocol according to Recommendation V.42
						1	1	1		Calls for protocol as indicated in an extension octet
									1	Stop bit

NOTE – Absence of this octet does not preclude alternative means of protocol negotiation.

6.5 PSTN access

Table 7 provides codes for indicating the type of access to the PSTN connection.

Table 7/V.8 – PSTN access category

Start	b0	b1	b2	b3	b4	b5	b6	b7	Stop	Octet – "access0"
0	1	0	1	1						Tag b0-b3 indicates the PSTN access category
					0					Indicates a category octet
						x				1 denotes that the call DCE is on a cellular connection
							x			1 denotes that the answer DCE is on a cellular connection
								x		1 denotes a DCE on a digital network connection 0 denotes a DCE on an analogue network connection
									1	Stop bit

NOTE 1 – Absence of this octet conveys no information about the type of PSTN access.
NOTE 2 – An analogue V.90 modem may reside on a digital network connection.

6.6 Non-standard facilities

CM and JM messages may optionally include a non-standard information field following the standard fields in each CM/JM sequence to define information beyond that defined in this Recommendation. When non-standard information is to be sent, the NS field category octet is set to 11110xxx.

Each non-standard information block is composed in the structure in Table 8.

Table 8/V.8 – Structure of non-standard information field

Non-standard field octets	Octets
Non-standard field length K+L+M+1	1
T.35 country code	K
Provider code length	1
Provider code	L
Non-standard information	M
NOTE – It is expected that, in a future T.35 edition, the T.35 country code will no longer be limited to one octet in length.	

The NS field is parsed in accordance with the rules for extension octets in 5.2. This distributes each five bits of NS (higher order NS bits in higher order b positions) over 10 bits of extension octets.

Multiple concatenated NS information blocks may be transmitted.

7 Descriptions of signals

7.1 Function indicator signal CI

To initiate a session of data transmission on the PSTN, a DCE transmits either CI, CT, CNG or no signal. Signal CI is a V.8 alternative to call tone CT, and is coded to indicate a call function. The term "call signal" is used hereinafter to refer to CI, CT or CNG.

CI is transmitted from the call DCE with a regular ON/OFF cadence. The ON periods shall be not less than 3 periods of the CI sequence, and not greater than 2 s in duration; the OFF periods shall be not less than 0.4 s and not greater than 2 s in duration.

A CI sequence consists of 10 ONEs followed by 10 synchronization bits and the call function octet.

The transmission and detection of CI is optional in most DCE Recommendations. Whether or not this option is used, DCEs conforming with this Recommendation should not malfunction if CI is received.

7.2 Modified answer tone ANSam

Modified answer tone ANSam consists of a sinewave signal at 2100 ± 1 Hz with phase reversals at an interval of 450 ± 25 ms, amplitude-modulated by a sinewave at 15 ± 0.1 Hz. The modulated envelope shall range in amplitude between (0.8 ± 0.01) and (1.2 ± 0.01) times its average amplitude. The average transmitted power shall be in accordance with Recommendation V.2.

The average power outside the band 2100 ± 200 Hz produced by using an approximation to the 15 Hz sinewave envelope shall be at least 24 dB below the average power within that band.

When network echo canceller disabling is not required, phase reversals shall not be imparted to the ANSam signal.

A call DCE shall not transmit a signal CM unless ANSam has been detected.

NOTE 1 – The call DCE needs to distinguish ANSam from ANS. Detector design needs to allow for transient variations in the received answer-tone amplitude and phase that may be generated occasionally by network equipment.

NOTE 2 – Experience in the field has indicated that, when connecting on circuits fitted with some network echo cancellers, there is a potential for failure to connect if the phase reversal option of ANSam is not used.

7.3 The Call Menu signal CM

Signal CM initiates the process of modulation-mode selection.

A CM sequence starts with 10 ONEs followed by 10 synchronization bits as given in Table 1.

The first information category in CM indicates the required call function in accordance with Table 3. CM shall also include one or more octets indicating available modulation modes in accordance with Table 4.

The protocol category may be included in order to negotiate LAPM without requiring the ODP/ADP exchange (see 7.2.1/V.42 and Table 6).

The PSTN access category is included if the call DCE wishes to indicate network access type (see Table 7). In this case, bit b5 is set to ONE and bit b6 is set to ZERO when the DCE is on a cellular connection. In addition, bit b7 is set to ONE when the DCE is on a digital network connection (e.g. an ISDN B-channel carrying encoded analogue content), and set to ZERO when the DCE is on an analogue network connection.

If the PCM modem availability category is present, the PSTN access category shall also be present and the modulation category, if present, shall have bit b5 in its first octet set to ONE. If bit b5 or b6 in the PCM modem availability category octet pcm0 is set to ONE, then the modulation category shall be present, with at least the V.34 availability bit also set to ONE.

A CM signal is terminated (after JM detection) by the transmission of a CJ signal.

7.4 The Joint Menu signal JM

A signal JM is transmitted from an answer DCE only in response to a detected CM signal. JM shall be transmitted after a minimum of two identical CM sequences have been received.

A JM sequence starts with 10 ONEs followed by 10 synchronization bits as given in Table 1.

The first information category in JM indicates the same call function as in the received CM or, if the call function is not available in the answer DCE, JM may indicate a different call function (see 8.2.3).

If there are modulation category modulation modes in common between the call and answer DCEs, JM shall include the octets necessary to indicate all modulation modes that are both indicated in CM and available in the answer DCE for use with the call function indicated in CM. Additional modulation mode octets that are in CM may also be included.

If there are no modulation category modulation modes in common between the call and answer DCEs, the JM sequence shall include the same number of modulation-mode octets as CM, and show zeros for all modulation modes.

If the LAPM protocol code is indicated in CM, the protocol octet may be included in JM in order to complete the negotiation of LAPM (see Table 6).

The PSTN access category is included if the answer DCE wishes to indicate network access type, or if this category is present in the received CM with bit b5 set to ONE (see Table 7). If the answer DCE wishes to indicate cellular access, bit b6 is set to ONE. Bit b5 is set to ONE if and only if the corresponding bit (b5) is set to ONE in the received CM. In addition, bit b7 is set to ONE when the

DCE is on a digital network connection (e.g. an ISDN B-channel carrying encoded analogue content), and set to ZERO when the DCE is on an analogue network connection.

The V.90 availability category shall be present only if it is present in the received CM, if V.90 modulation can be used with the indicated call function, and if it is desired to convey V.90 capability to the remote DCE. If either bit b5 or b6 in octet pcm0 is set, the V.34 availability bit in the modulation category shall also be set.

If the V.90 availability category is present, the PSTN access category shall also be present, and the modulation category, if present, shall have bit b5 in the first octet set to ONE.

If the V.90 availability category is contained in JM, operation shall proceed as specified in Recommendation V.90. Otherwise, the indicated modulation category modulation mode with the lowest item number (see Table 4) shall be used in the subsequent data session.

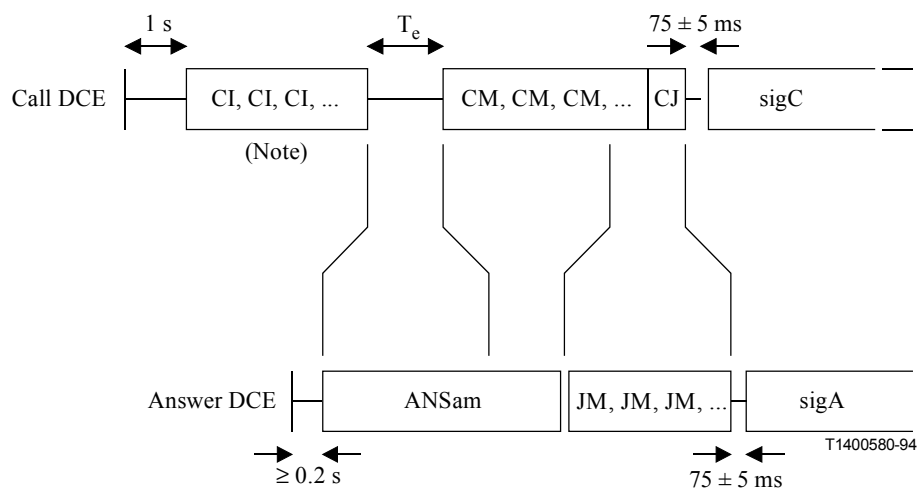
The PCM Modem availability category shall be present only if it is present in the received CM, if PCM modulation can be used with the indicated call function, and if it is desired to convey PCM modem capability to the remote DCE. If either bit b5 or b6 in octet pcm0 is set, the V.34 availability bit in the modulation category shall also be set.

If the PCM Modem availability category is present, the PSTN access category shall also be present, and the modulation category, if present, shall have bit b5 in its first octet set to ONE.

If the PCM Modem availability category is contained in JM, operation shall proceed as specified in Recommendations V.90 or V.91. Otherwise, the indicated modulation category modulation mode with the lowest item number (see Table 4) shall be used in the subsequent data session.

8 Data session start-up procedure

Figure 1 shows the signal interaction diagram with CI, ANSam and CM/JM signals. T_e is the silent period allowed for disabling of network echo-control equipment.



NOTE – Use of CI as a call signal is optional. Compatibility with existing answer terminals will sometimes mandate the use of CNG or CT.

Figure 1/V.8 – Use of the CI call signal and exchange of CM/JM menu signals

8.1 Start-up procedure in the call DCE

8.1.1 Call signal transmission

After transmitting no signal for 1 s, the DCE shall initiate transmission of CI, CT or CNG, or continue transmission of no signal.

The DCE shall then seek to detect ANS, ANSam, or a sigA that is characteristic of an acceptable mode of modulation.

NOTE – The transmission of a V.21(H) signal before the transmission of answer tone is being studied by the ITU-T for some facsimile applications. A call DCE conforming with this Recommendation should not malfunction if such a signal is received.

If a suitable sigA is detected, then the call modem shall proceed in accordance with the modulation mode indicated by sigA. Such procedure is outside the scope of this Recommendation.

After detection of ANS or ANSam, the call signal shall be stopped. However, the call DCE may choose to ensure that CI has been transmitted for a minimum of 3 full sequences.

If ANSam (rather than ANS) is detected, the DCE shall transmit no signal for a period T_e prior to transmitting signal CM. The silent period T_e begins after the termination of the call signal or, in the absence of a call signal, after the detection of ANSam. The minimum value for T_e shall be 0.5 s. However, if it is desired to allow for network echo canceller disabling in the manner defined in Recommendation V.25, T_e shall be set to a value ≥ 1 s. The procedure shall continue in accordance with 8.1.2.

If ANS (rather than ANSam) is detected, the DCE shall proceed in accordance with Annex A/V.32 *bis*, Recommendation T.30, or other appropriate Recommendations.

8.1.2 Call menu transmission

When interval T_e has elapsed, the call DCE shall initiate transmission of signal CM and condition its receiver to detect signal JM.

After a minimum of 2 identical JM sequences have been received, the call DCE shall complete the current octet and associated start and stop bits and then signal CJ shall be transmitted. Following CJ, the call DCE shall transmit no signal for a period of 75 ± 5 ms, transmit sigC and proceed in accordance with the selected V-series modulation mode.

If the PCM modem availability category is not contained in the received JM, and if JM shows zeros for all modulation category modulation modes, the call DCE may disconnect after transmission of CJ.

If the PCM modem availability category is not contained in JM, and if JM shows zeros for all modulation category modulation modes, the answer DCE may disconnect on reception of CJ.

8.2 Start-up procedure in the answer DCE

For a period of at least 0.2 s after connection to line, the answer DCE shall transmit no signal.

Some Recommendations require that the answer DCE shall delay the transmission of answer tone unless or until some signal is detected from the call DCE. In these cases, upon detection of CI, CT or CNG as appropriate, the DCE shall proceed in accordance with 8.2.1 or 8.2.2.

Other Recommendations require that answer tone shall be transmitted without waiting for call signals. Such DCEs shall proceed directly in accordance with 8.2.1 or 8.2.2.

8.2.1 ANS transmission

Some Recommendations require the transmission of unmodulated Answer tone (ANS) and do not allow for CM/JM exchanges. The procedure following the transmission of ANS is outside the scope of this Recommendation.

8.2.2 ANSam transmission

If the answer DCE supports CM/JM exchanges, ANSam shall be transmitted.

Upon receiving a minimum of 2 identical CM sequences, the DCE shall transmit JM and proceed in accordance with 8.2.3.

If a suitable sigC is detected during ANSam transmission, the DCE shall transmit no signal for 75 ± 5 ms, transmit the appropriate sigA and continue in accordance with the relevant modem Recommendation.

If neither CM nor a suitable sigC is detected during ANSam transmission, the DCE shall transmit no signal for 75 ± 5 ms and then continue in accordance with Annex A/V.32 *bis*, or Recommendation T.30 or other appropriate Recommendation. If not terminated by the receipt of CM or a suitable sigC, ANSam shall be transmitted for a period of 5 ± 1 s.

8.2.3 JM transmission

If the call function is available, JM shall be coded to indicate the same call function as CM.

If the call function is not available, the answer DCE may indicate an available call function different from CM. If JM is sent, it shall include the same number of modulation category octets as CM and show zeros for all modulation modes.

The PCM Modem availability category shall not be present.

JM transmission shall continue until signal CJ is detected and all 3 octets of CJ have been received. In the case that CJ is not correctly received, other criteria may be used to terminate transmission of JM, such as detection of sigC corresponding to the selected modulation mode, or the absence of CM for a suitably long period of time.

JM shall be terminated without any requirement to complete a current JM sequence. No signal shall be transmitted for a period 75 ± 5 ms, followed by sigA corresponding to the selected modulation mode. SigA and subsequent responses shall be as defined in the relevant V-series modem Recommendation.

If the PCM Modem availability category is not contained in JM, and if JM shows zeros for all modulation category modulation modes, the answer DCE may disconnect on reception of CJ.

9 DTE-DCE interchange circuits

During the V.8 procedure, there is no requirement for DTE-DCE communication, and the Recommendation does not provide for any such communication. The states of interchange circuits may therefore be determined by the procedures before and after the V.8 procedure. Optionally, procedures defined in V.251 may be used.

ITU-T RECOMMENDATIONS SERIES

- Series A Organization of the work of the ITU-T
- Series B Means of expression: definitions, symbols, classification
- Series C General telecommunication statistics
- Series D General tariff principles
- Series E Overall network operation, telephone service, service operation and human factors
- Series F Non-telephone telecommunication services
- Series G Transmission systems and media, digital systems and networks
- Series H Audiovisual and multimedia systems
- Series I Integrated services digital network
- Series J Transmission of television, sound programme and other multimedia signals
- Series K Protection against interference
- Series L Construction, installation and protection of cables and other elements of outside plant
- Series M TMN and network maintenance: international transmission systems, telephone circuits, telegraphy, facsimile and leased circuits
- Series N Maintenance: international sound programme and television transmission circuits
- Series O Specifications of measuring equipment
- Series P Telephone transmission quality, telephone installations, local line networks
- Series Q Switching and signalling
- Series R Telegraph transmission
- Series S Telegraph services terminal equipment
- Series T Terminals for telematic services
- Series U Telegraph switching
- Series V Data communication over the telephone network**
- Series X Data networks and open system communications
- Series Y Global information infrastructure and Internet protocol aspects
- Series Z Languages and general software aspects for telecommunication systems