



INTERNATIONAL TELECOMMUNICATION UNION

ITU-T

TELECOMMUNICATION
STANDARDIZATION SECTOR
OF ITU

Q.730

(09/97)

SERIES Q: SWITCHING AND SIGNALLING

Specifications of Signalling System No. 7 – ISDN
supplementary services

ISDN User Part supplementary services

ITU-T Recommendation Q.730

(Previously CCITT Recommendation)

ITU-T Q-SERIES RECOMMENDATIONS
SWITCHING AND SIGNALLING

SIGNALLING IN THE INTERNATIONAL MANUAL SERVICE	Q.1–Q.3
INTERNATIONAL AUTOMATIC AND SEMI-AUTOMATIC WORKING	Q.4–Q.59
FUNCTIONS AND INFORMATION FLOWS FOR SERVICES IN THE ISDN	Q.60–Q.99
CLAUSES APPLICABLE TO ITU-T STANDARD SYSTEMS	Q.100–Q.119
SPECIFICATIONS OF SIGNALLING SYSTEMS No. 4 AND No. 5	Q.120–Q.249
SPECIFICATIONS OF SIGNALLING SYSTEM No. 6	Q.250–Q.309
SPECIFICATIONS OF SIGNALLING SYSTEM R1	Q.310–Q.399
SPECIFICATIONS OF SIGNALLING SYSTEM R2	Q.400–Q.499
DIGITAL EXCHANGES	Q.500–Q.599
INTERWORKING OF SIGNALLING SYSTEMS	Q.600–Q.699
SPECIFICATIONS OF SIGNALLING SYSTEM No. 7	Q.700–Q.849
General	Q.700
Message transfer part (MTP)	Q.701–Q.709
Signalling connection control part (SCCP)	Q.711–Q.719
Telephone user part (TUP)	Q.720–Q.729
ISDN supplementary services	Q.730–Q.739
Data user part	Q.740–Q.749
Signalling System No. 7 management	Q.750–Q.759
ISDN user part	Q.760–Q.769
Transaction capabilities application part	Q.770–Q.779
Test specification	Q.780–Q.799
Q3 interface	Q.800–Q.849
DIGITAL SUBSCRIBER SIGNALLING SYSTEM No. 1	Q.850–Q.999
PUBLIC LAND MOBILE NETWORK	Q.1000–Q.1099
INTERWORKING WITH SATELLITE MOBILE SYSTEMS	Q.1100–Q.1199
INTELLIGENT NETWORK	Q.1200–Q.1999
BROADBAND ISDN	Q.2000–Q.2999

For further details, please refer to ITU-T List of Recommendations.

ITU-T RECOMMENDATION Q.730

ISDN USER PART SUPPLEMENTARY SERVICES

Summary

This Recommendation provides general information for ISDN supplementary services. It describes generic procedures, network specific facilities and end-to-end signalling methods. It also contains the generic format for the supplementary service descriptions contained in Recommendations Q.731 to Q.737, to be used in conjunction with the ISDN User Part (ISUP) defined in Recommendations Q.761 to Q.764 and Recommendation Q.767 "Application of the ISDN user part of CCITT Signalling System No. 7 for international ISDN connections". A listing of the currently defined supplementary services is included as well.

Source

ITU-T Recommendation Q.730 was revised by ITU-T Study Group 11 (1997-2000) and was approved under the WTSC Resolution No. 1 procedure on the 12th of September 1997.

FOREWORD

ITU (International Telecommunication Union) is the United Nations Specialized Agency in the field of telecommunications. The ITU Telecommunication Standardization Sector (ITU-T) is a permanent organ of the ITU. The ITU-T is responsible for studying technical, operating and tariff questions and issuing Recommendations on them with a view to standardizing telecommunications on a worldwide basis.

The World Telecommunication Standardization Conference (WTSC), which meets every four years, establishes the topics for study by the ITU-T Study Groups which, in their turn, produce Recommendations on these topics.

The approval of Recommendations by the Members of the ITU-T is covered by the procedure laid down in WTSC Resolution No. 1.

In some areas of information technology which fall within ITU-T's purview, the necessary standards are prepared on a collaborative basis with ISO and IEC.

NOTE

In this Recommendation, the expression "Administration" is used for conciseness to indicate both a telecommunication administration and a recognized operating agency.

INTELLECTUAL PROPERTY RIGHTS

The ITU draws attention to the possibility that the practice or implementation of this Recommendation may involve the use of a claimed Intellectual Property Right. The ITU takes no position concerning the evidence, validity or applicability of claimed Intellectual Property Rights, whether asserted by ITU members or others outside of the Recommendation development process.

As of the date of approval of this Recommendation, the ITU had not received notice of intellectual property, protected by patents, which may be required to implement this Recommendation. However, implementors are cautioned that this may not represent the latest information and are therefore strongly urged to consult the TSB patent database.

© ITU 1998

All rights reserved. No part of this publication may be reproduced or utilized in any form or by any means, electronic or mechanical, including photocopying and microfilm, without permission in writing from the ITU.

CONTENTS

	Page
0	Introduction 1
0.1	Scope 1
0.2	References 1
0.3	Terms and definitions 2
0.4	Abbreviations 2
1	General 3
1.1	Exceeding the maximum message length 3
1.2	Network specific facilities (national use) 3
1.2.1	Sending unsolicited information (national use) 4
1.3	Generic procedures 4
1.3.1	Service activation 4
1.3.2	General digit transfer (national use) 5
1.3.3	Remote Operations service (ROSE) capability (national use) 5
1.3.4	Generic notification procedure 7
1.3.5	Generic number transfer 7
1.4	End-to-end signalling 8
1.4.1	Introduction 8
1.4.2	Pass-along method (national use) 8
1.4.3	SCCP method 8
1.4.4	Chaining of ISDN user part end-to-end signalling connections 10
1.4.5	Use of the Protocol Control Indicator (PCI) 10
1.4.6	Operation of the pass-along method (national use) 11
1.4.7	Operation of the SCCP method – Connectionless services (national use) 11
1.4.8	Operation of the SCCP method – Connection-oriented service 16
1.4.9	Interface elements between ISDN user part and SCCP (embedded transfer) 22
1.5	Layout of service Recommendations 22
1.6	List of supplementary services 24
1.7	Association of supplementary services to bearer services and teleservices 26
1.8	Definition of supplementary services 26
Appendix I	– Contents of the interface elements between the ISDN user part and the SCCP 26
I.1	Contents of the REQUEST type 1 26
I.2	Contents of the REQUEST type 2 26
I.3	Contents of the REPLY 26

	Page
Appendix II – Redirection (national use)	27
II.1 Parameter formats and codes.....	27
II.1.1 Redirect capability.....	27
II.1.2 Redirect counter	28
II.2 Procedures	28
II.2.1 Normal procedures	29
II.2.2 Exceptional procedures	30
II.2.3 Interworking considerations.....	30

Recommendation Q.730

ISDN USER PART SUPPLEMENTARY SERVICES

(revised in 1997)

0 Introduction

0.1 Scope

This Recommendation provides general information for ISDN supplementary services. It describes generic procedures, network specific facilities and end-to-end signalling methods. It also contains the generic format for the supplementary service descriptions contained in Recommendations Q.731 to Q.737, to be used in conjunction with the ISDN User Part (ISUP) defined in Recommendations Q.761 to Q.764 and Recommendation Q.767 "Application of the ISDN user part of CCITT Signalling System No. 7 for international ISDN connections". A listing of the currently defined supplementary services is included as well.

0.2 References

The following ITU-T Recommendations and other references contain provisions which, through reference in text, constitute provisions of this Recommendation. At the time of publication, the editions indicated are valid. All Recommendations and other references are subject to revisions; all users of this Recommendation are therefore encouraged to investigate the possibility of applying the most recent of the Recommendations and other references listed below. A list of currently valid ITU-T Recommendations is regularly published.

- [1] ITU-T Recommendation I.112 (1993), *Vocabulary of terms for ISDNs*.
- [2] CCITT Recommendation I.130 (1988), *Method for the characterization of telecommunication services supported by an ISDN and network capabilities of an ISDN*.
- [3] ITU-T Recommendation I.120 (1993), *Integrated Services Digital Network (ISDNs)*.
- [4] CCITT Recommendation I.250 (1988), *Definition of supplementary services*.
- [5] ITU-T Recommendation Q.761 (1993), *Functional description of the ISDN user part of Signalling System No. 7*.
- [6] ITU-T Recommendation Q.762 (1993), *General function of messages and signals of the ISDN user part of Signalling System No. 7*.
- [7] ITU-T Recommendation Q.763 (1993), *Formats and codes of the ISDN user part of Signalling System No. 7*.
- [8] ITU-T Recommendation Q.764 (1993), *ISDN user part signalling procedures*.
- [9] CCITT Recommendation Q.767 (1991), *Application of the ISDN user part of CCITT Signalling System No. 7 for international ISDN interconnections*.
- [10] CCITT Recommendation Q.932 (1993), *Generic procedures for the control of ISDN supplementary services*.
- [11] CCITT Recommendation X.219 (1988), *Remote operations: Model, notation and service definition*.
- [12] CCITT Recommendation X.229 (1988), *Remote operations: Protocol specification*.

- [13] ITU-T Recommendation Q.771 (1993), *Functional description of transaction capabilities.*
- [14] ITU-T Recommendation Q.772 (1993), *Transaction capabilities information element definitions.*
- [15] ITU-T Recommendation Q.773 (1993), *Transaction capabilities formats and encoding.*
- [16] ITU-T Recommendation Q.774 (1993), *Transaction capabilities procedures.*
- [17] ITU-T Recommendation Q.775 (1993), *Guidelines for using transaction capabilities.*
- [18] ITU-T Recommendation Q.711 (1993), *Signalling System No. 7 – Functional description of the signalling connection control part.*
- [19] ITU-T Recommendation Q.712 (1993), *Signalling System No. 7 – Definition and function of SCCP messages.*
- [20] ITU-T Recommendation Q.713 (1993), *Signalling System No. 7 – SCCP formats and codes.*
- [21] ITU-T Recommendation Q.714 (1993), *Signalling System No. 7 – Signalling connection control part procedures.*
- [22] ITU-T Recommendation Q.715 (1996), *Signalling connection control part user guide.*
- [23] ITU-T Recommendation Q.716 (1993), *Signalling Connection Control Part (SCCP) performance.*

0.3 Terms and definitions

ISUP'92: 1993 publication of ISUP Recommendations.

The definition of supplementary services can be found in clause 4/I.250.

0.4 Abbreviations

This Recommendation uses the following abbreviations.

ACM	Address Complete Message
ANM	Answer Message
CCx	Connection Confirm message x
CREF	Connection Refused message
CRx	Connection Request message
FAR	Facility Request
fbm	first backward message
IAM	Initial Address Message
INF	Information message
INR	Information Request message
LE	Local Exchange
PAMA	Pass Along Method Available
PAMNA	Pass Along Method Not Available
PCI	Protocol Control Indicator
PSTN	Public Switched Telephone Network
REL	Release message
RLC	Release Complete message

RLSD	Released message
ROSE	Remote Operations Service Element
SCCP	Signalling Connection Control Part
TC	Transaction Capabilities
UDT	Unitdata message

See 1.6 for the abbreviations which identify the individual supplementary services.

1 General

This Recommendation describes the format for supplementary services contained in Recommendations Q.731 to Q.737, and is to be used in conjunction with the ISDN User Part (ISUP) defined in Recommendations Q.761 to Q.764, and Recommendation Q.767 "Application of the ISDN user part of CCITT Signalling System No. 7 for international ISDN interconnections".

Each type of supplementary service will be defined in separate clauses of its respective Recommendation, each containing the complete procedures encompassing both the ISDN user part and the procedures to be used on the top of Transaction Capability (TC) where appropriate.

Each clause contains a general paragraph giving details of the specific service with reference to the stage 1, 2 and 3 descriptions defined in the Recommendations of the I.250-Series, the Q.80-Series and the Q.950-Series. The call set-up procedures and the actions taken at the concerned exchanges are defined. Arrow diagrams showing the message flows for both successful and unsuccessful establishment of the service are generally included. The formats and coding aspects are not defined in this Recommendation but references are made out to the appropriate ISDN user part, TC or Signalling Connection Control Part (SCCP) Recommendations.

1.1 Exceeding the maximum message length

If for any reason the combination of basic plus supplementary service information causes the overall maximum length (e.g. ISDN user part 272 octets) of the message (e.g. initial address message) to be exceeded, then the procedures for simple segmentation given in 2.1.12/Q.764 shall be applied. If these procedures fail to reduce the message length below the required maximum, then the procedures of 2.1.15/Q.764 (over-length messages) shall be applied.

1.2 Network specific facilities (national use)

Service-related information may be transferred in the network-specific facilities parameter in both directions between the local exchange and the identified network which controls the service. Information to be included in this parameter specified nationally. Examples of the information included in this parameter are as follows.

a) *Transfer of network-specific facilities information*

If the network-specific facilities information element specified in Recommendation Q.931 is received from the access signalling system, this information is passed unchanged to the identified network in the network-specific facilities parameter.

An exchange which controls a service may generate the network-specific facilities information. This information is passed unchanged to the relevant exchange.

b) *Transfer of stimulus information elements*

Stimulus type of Q.932 information elements, e.g. keypad facility information, may be included in the network-specific facilities parameter in call control messages at the local

exchange. In this case, the local exchange will identify the destination network of the information by an appropriate method, and generate the network identification fields.

When this option is applied to the network, the exchange which controls a service may generate Q.932 information elements, e.g. display information, and this information is passed unchanged to the relevant exchange in the network-specific facilities parameter in call control messages.

Multiple Q.932 information elements may be included in a network-specific facilities parameter.

1.2.1 Sending unsolicited information (national use)

Information that is available at an exchange and that does not correspond to information which can be or has been requested by an information request message, can be sent in the information message with the solicited information indicator set to signify that the message has been sent unsolicited.

An unsolicited information message can be sent in either direction in any call state (except in the awaiting release complete state).

Parameters that can be requested via an information request message should not be put in an unsolicited information message, and these parameters will be discarded by the outgoing international, incoming international or destination exchanges.

1.3 Generic procedures

1.3.1 Service activation

1.3.1.1 General description

The procedure described in this subclause gives a node in the signalling network the capability to request a simple action to be performed at another node. The procedure can also be used to report the acceptance or rejection of the requested action. The procedures described in this subclause can only be used if no additional information specific to the requested action or its acknowledgement needs to be included in the message, unless that information is provided for other purposes as well.

If additional information specific to the requested action or its acknowledgement is to be sent and if this information is not provided in the message for other purposes, other procedures such as the remote operations capability described in 1.3.3 should be used.

1.3.1.2 Service activation procedure

Whenever a node in the signalling network determines that there is a need for simple supplementary service invocation at another node or to report the outcome of such a request, the node will indicate such a request or outcome of the request by including the service activation parameter in a call control message of end-to-end significance or in the facility message if no appropriate call control message is available.

The service activation parameter can be used either in a request-response node limited to one cycle or in a unidirectional node.

It is possible to include multiple feature codes in a single service activation parameter. In such a case, individual services are handled independently of each other.

The assignment of the feature code and the actual usage of the service activation parameter is up to individual supplementary service definition.

1.3.1.3 Error procedures

The error handling procedures described in Recommendation Q.764 are also applicable to service activation procedures.

1.3.2 General digit transfer (national use)

This capability enables supplementary services to transfer digit information, which cannot suitably be sent within any numbering address parameter, in a Generic digit parameter. A Generic digit parameter is transported in an initial address message. Whether or not a Generic digit parameter can be transported in other call control messages is left for further study. Multiple generic digits parameter may be transported in any one message qualified to carry this parameter.

The Generic digit parameter is generated by the exchange invoking a service. This parameter is passed unchanged to the relevant exchange.

Examples of digit information in the Generic digit parameter are account code and authorization code.

1.3.3 Remote Operations service (ROSE) capability (national use)

1.3.3.1 General description

The procedures described in this subclause give a node in the signalling network the capability to request that a particular operation be performed at a remote node; the remote node attempts to perform the operation and then reports the outcome of the attempt.

The generic structure of an operation is an elementary request/reply interaction. Remote operations provide in a structured way, interactive capability which allows nodes to request an operation and receive result or error indications depending on the outcome of the operation. Remote operations service is defined in Recommendation X.219 and the protocol in Recommendation X.229.

The remote operation procedure makes use of the remote operations parameter. The format of this parameter is provided in Recommendation Q.763. This parameter can be carried in any call control message of end-to-end significance and if there is no call control message available, the remote operations parameter can be carried in the facility message. The format of this message is provided in Recommendation Q.763.

In addition, the use of the facility message allows the actions and events related to supplementary services to be clearly separated from those associated with basic call control, hence providing improved stability to the basic call control procedures of Recommendation Q.764.

The supplementary services definition will make use of this capability along with the basic call control procedures described in Recommendation Q.764.

1.3.3.2 Remote operations procedure in ISDN user part

Whenever a node determines that there is a need to invoke an operation at the remote node, the originating node will format a remote operations parameter containing the invoke component which will include the appropriate operation code and the associated parameters. The remote operations parameter is sent in any call control message of end-to-end significance if one is available, otherwise the facility message is used.

Intermediate nodes may attempt to perform the operation upon receipt of this parameter. If the intermediate node does not understand the operation, it shall pass it to the next node. Similarly, any results or rejects not used by the intermediate nodes shall be passed to the next node.

The terminating node will attempt to perform the operation. If the operation can be successfully performed, the outcome is reported in the remote operations parameter containing a return result

component and related parameters. If the operation was unsuccessful, a result error component is included in the remote operations parameter instead of the return result component. If a problem is detected in the requested operation, a reject component is sent. Table 1 provides some examples of reasons why each type of general problem defined in Recommendation Q.762 may be indicated in the reject component.

Table 1/Q.730 – Example mapping of General Problem Reject scenarios to General Problem Reject types

Example reasons	General problem
1) Component Type Tag not recognized as Invoke, Return Result, Return Error or Reject.	Unrecognized Component (The component type is not recognized as being one of those defined in Recommendation Q.762.)
1) Missing Invoke ID Element. 2) Operation Code Element expected but not present. 3) Return Error component received with no Error Code Element. 4) The order of the received information elements within the component does not conform to Recommendation Q.763 for that Component type.	Mistyped Component (The elemental structure of a component does not conform to the structure of that component as defined in Recommendation Q.763.)
1) Length indicator value less than 128 octets, but not coded short form.	Badly Structured Component (The contents of the component do not conform to the encoding rules defined in Recommendation Q.763.)

The remote operations parameter is sent in any call control message if one is available; otherwise, the facility message is used to send this parameter to the originating node.

1.3.3.3 Error performance

When the remote operations parameter is not recognized by a node, the compatibility procedure described in Recommendation Q.764 is applicable.

If a node is unable to process a remote operations parameter included in a call control message, then the following options apply:

- a) The node may reject the call request. The call request is cleared using procedures described in Recommendation Q.764. A return error or a reject component with appropriate parameter(s) is also sent to the originating node indicating termination node's inability to process remote operations parameter.
- b) The node may continue to process the call request according to normal call control procedures and reject the supplementary service invocation by sending a return error or a reject component with appropriate parameter(s) in the remote operations parameter. This parameter can be sent either in the facility message or in any appropriate call control message.
- c) The node may continue to process the call request according to normal call control procedures and the supplementary service invocation. In this case, the supplementary service

at the originating which requested the supplementary service invocation at a remote node, will have to recover from non-receipt of a reply.

The choice of an option depends on the individual supplementary service procedures. If the node does not have knowledge of the specific supplementary service, option b) is preferred for each component that cannot be processed. Continuation of the call shall be subject to the control of the supplementary service procedures at the originating node. The originating node can either allow the call to continue or can clear the call.

If a node is unable to process a remote operations parameter included in the facility message, then the following option apply:

- a) The node may clear the call using procedures described in Recommendation Q.764. The node will also send a return error or a reject component with appropriate parameter(s) in a remote operations parameter. This parameter will be sent either in the facility message or in any appropriate call control message.
- b) The node may continue with the call but reject the supplementary service invocation. A return error or reject component with appropriate parameter(s) in the remote operations parameter is sent to the originating node. The remote operations parameter is sent either in a facility message or any appropriate call control message.
- c) The node may ignore the supplementary service invocation. In this case, the supplementary service at the originating node, which requested the supplementary service invocation at a remote node, will have to recover from the non-receipt of a reply.

The choice of an option depends on the individual supplementary service procedures. If the node does not have knowledge of the specific supplementary service, option b) is preferred for each component that cannot be processed. Continuation of the call shall be subject to the control of the supplementary service procedures at the originating node. The originating node can either allow the call to continue or can clear the call.

If a call is cleared and there is an operation pending, the operation is aborted and no response is sent to the on node. The supplementary service at the originating node will have to recover from this situation.

The supplementary service procedures will clearly describe the handling of components and error procedures specific to the service.

1.3.4 Generic notification procedure

This capability enables supplementary services to transfer a notification indicator indicating an event which has occurred as the result of service invocation, in a Generic notification parameter, to either an originating user or a terminating user. A Generic notification indicator parameter is transported in either direction in any call control message of end-to-end significance. Multiple generic notification parameters may be transported in any one message qualified to carry this parameter.

The Generic notification parameter is generated either by a user or inside the network where the relevant service is invoked. The contents of the notification indicator is passed unchanged inside the network and delivered to the user.

1.3.5 Generic number transfer

This capability enables supplementary services to transfer a numbering address information indicating a number based on either a standardized or a service-specific numbering plan. A Generic number parameter is transported in either direction in an initial address message, answer message or connect message. Multiple generic number parameters may be transported in any one message

qualified to carry this parameter. Whether or not a Generic number parameter can be transported in other call control messages is left for further study.

The number information is generated either by a user or a local exchange. The contents of the number information may be processed and changed inside the network.

1.4 End-to-end signalling

1.4.1 Introduction

End-to-end messages contain only information which is relevant for the "endpoints" of a circuit-switched connection. Endpoints are signalling points such as local exchanges, international gateway exchanges and possibly exchanges at other network boundaries, e.g. gateway exchanges within the Signalling System No. 7 network. Two methods are available for ISDN end-to-end signalling:

- the pass-along method; and
- the Signalling Connection Control Part (SCCP) method.

The choice of method is, to some extent, dependent on the size and architecture of the signalling network. Both methods may coexist in a given network.

The pass-along method and the SCCP method are specified for circuit-switched connections.

An end-to-end signalling connection established for end-to-end signalling is called an "ISDN user part end-to-end signalling connection" in this subclause.

1.4.2 Pass-along method (national use)

In the pass-along method, use is made of an ISDN user part end-to-end signalling connection which is set up whenever a physical connection between two endpoints is established.

The ISDN user part end-to-end signalling connection in this case consists of a number of connection sections in tandem which run in parallel with and use the same Circuit Identification Code (CIC) as the circuits in the physical connection.

The pass-along method defines, section by section, the appropriate routing label for the message to be passed along via ISDN user part connection, but the content of pass-along messages is only evaluated and possibly changed at the endpoints. The pass-along message is characterized by a special message type code as specified in Recommendation Q.763. One ISDN user part message to be passed along may be embedded in one pass-along message.

In a signalling connection for which pass-along method is available, pass-along messages may be sent in either the forward or backward direction.

A forward pass-along message may not be sent until either a backward pass-along or a backward set-up message indicating pass-along method available has been received, or after the physical connection is released.

Call control path information (see 1.4.5) included in the initial address and backward set-up messages is used to indicate to the connection endpoints whether or not the call control path can support pass-along message transfer.

A pass-along message that has been received at a transit exchange and cannot be transferred to the subsequent exchange is discarded without affecting call states and timers in that exchange.

1.4.3 SCCP method

In the SCCP method, the ISDN user part employs the services of the Signalling Connection Control Part (SCCP) for the transfer of end-to-end signalling information.

1.4.3.1 Call reference (national use)

The call reference is a circuit-independent information identifying a particular call. It is needed when end-to-end signalling information associated with the call is to be transferred by a connectionless SCCP service. If a SCCP connection request for a connection-oriented SCCP service is carried embedded in an ISDN-UP message, the call reference is omitted.

References for a given call are allocated independently in the two concerned signalling points and are subsequently exchanged. The allocation of call references may be initiated by either side. The call reference consists of a call identity and the point code where the call identity is established. If, e.g. signalling point A initiates the exchange of call references, it selects a call identity CIA and transfers it together with the point code of A, PCA, to signalling point B.

Signalling point B then allocates its own identity CIB to the call and returns it together with the signalling point code of B, PCB, to signalling point A. Subsequent call-related end-to-end messages transferred from signalling point A to signalling point B contain call identity CIB and are routed directly using destination point code PCB. Conversely, end-to-end messages transferred from signalling point B to signalling point A contain call identity CIA and are routed using destination point code PCA.

A linkage of call references at network boundaries has to be provided.

1.4.3.2 Coupling of connection sections

An ISDN user part end-to-end signalling connection may consist of a number of connection sections in tandem. In order to couple two connection sections at the SCCP relay point, linkage of call references, e.g. call as in Figure 2 (ref. 3), is performed by ISDN user part for connectionless SCCP service and linkage of local references is performed by SCCP for connection-oriented SCCP service.

An SCCP relay point where linkage of call references is performed by the ISDN user part is called an "intermediate relay node" in this section.

1.4.3.3 Connectionless service (national use)

For connectionless service, the ISDN user part transfers the data to be transmitted to the SCCP together with a request for the appropriate protocol class of service. For call reference signalling information, transfer and delivery of this data to the distant ISDN user part is controlled entirely by the SCCP. The association between the transferred information and a call is made by the ISDN user part, which transfers the call reference as part of signalling information for this purpose.

The protocol class of service is assumed to be 0. Individual networks may choose class 1 based on the predetermined arrangement.

1.4.3.4 Connection-oriented service

1.4.3.4.1 Connection request embedded in an ISDN user part message

At the exchange initiating the establishment of an ISDN user part end-to-end signalling connection based on connection-oriented SCCP service, the ISDN user part requests the SCCP to provide the necessary information for a connection request for an SCCP end-to-end connection. This connection request is then carried embedded in an ISDN user part message. At the destination exchange the connection request is passed to the SCCP by the ISDN user part. The SCCP at the destination exchange then behaves as if the connection request had been sent directly by the SCCP from the originating exchange: it indicates the connection request to the ISDN user part and upon response from the ISDN user part it returns a connection confirm message to the SCCP at the originating exchange. The SCCP at the originating exchange confirms the set-up of the end-to-end connection to

the ISDN user part. The contents in the embedded connection request is not evaluated by the ISDN user part at any exchange.

1.4.3.4.2 Protocol class of service

The protocol class of service is assumed to be 2. If the connection request is of protocol class 3, the ISDN user part connection request parameter must include explicit protocol class and credit indications in addition to the SCCP source local reference.

1.4.3.4.3 Mechanism of coupling

Although coupling of connection sections may not be appropriate in combination with the embedded method, coupling is necessary at network boundaries. In this case the ISDN user part at the intermediate point has knowledge that a coupling of end-to-end connection sections has to be performed, and therefore, connection requests received embedded in an ISDN user part message are passed to the SCCP. The SCCP, in turn, furnishes the ISDN user part with a connection request for the new connection section in order to have it included in the outgoing ISDN user part message.

After the coupling of the connection sections has been successfully initiated by the ISDN user part, end-to-end signalling information passing through an intermediate point is not passed to the ISDN user part.

1.4.3.4.4 Release of ISDN user part end-to-end signalling connection

The SCCP end-to-end connection is released according to the procedures described in Recommendation Q.714.

The physical connection and the ISDN user part end-to-end signalling connection can be released independently of each other.

Generally, both the ISDN user part end-to-end signalling connection and the physical connection are released simultaneously. However, for certain applications it is possible to maintain the SCCP end-to-end connection although the physical connection has already been released.

1.4.4 Chaining of ISDN user part end-to-end signalling connections

At an exchange where the contents of end-to-end signalling information may need to be evaluated by the ISDN user part, ISDN user part end-to-end signalling connections are chained. Chaining of two ISDN user part end-to-end signalling connections means that one ISDN user part end-to-end signalling connection terminates and another ISDN user part signalling connection associated with it originates with all end-to-end signalling information passing through the ISDN user part. The new ISDN user part signalling connection may have different characteristics from the previous one. See Figure 12.

If chaining is not appropriate for the associated call when the service requirements cannot be satisfied because of it, the call may be released. In addition, if any of the ISDN user part end-to-end signalling connections under chaining cannot be established or is abnormally disconnected, the associated call may be released if the required service cannot be completed without it.

1.4.5 Use of the Protocol Control Indicator (PCI)

The protocol control indicator is control information concerning the end-to-end signalling procedures. It is contained in the Forward Call Indicators parameter and the Backward Call Indicators parameter respectively, and has to be examined to determine which end-to-end signalling method should be used if any for the end-to-end transfer of messages.

The indications given by the PCI are given in Recommendation Q.763.

1.4.6 Operation of the pass-along method (national use)

Figure 1 illustrates the operation of the pass-along protocol. In this figure the PCI is the protocol control indicator in the IAM.

1.4.7 Operation of the SCCP method – Connectionless services (national use)

1.4.7.1 Successful set-up of the ISDN user part end-to-end signalling connection

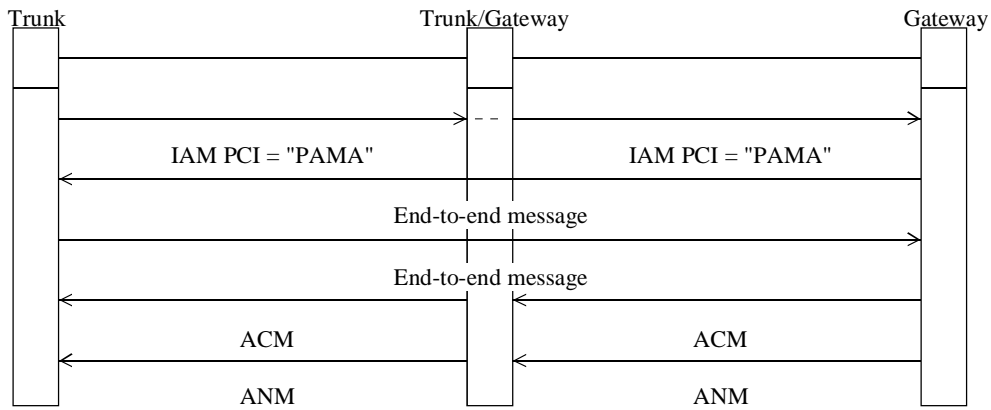
1.4.7.1.1 Simultaneous establishment of an ISDN user part end-to-end signalling connection and a physical connection

In the case of simultaneous establishment of a signalling connection with a physical connection, the initial address message from the originating exchange of a call contains the call reference consisting of the point code of the originating exchange and the call identity. The inclusion of the call reference implicitly indicates that the establishment of a signalling connection is requested. When the terminating exchange receives an IAM with a call reference, a signalling connection can be established. It then responds with its own call reference included in the first backward message (e.g. an address complete message).

At an intermediate relay node where SCCP is terminated, its own call reference is allocated to the signalling connection and the coupling of call references is made. When the first backward message contains a call reference, an intermediate relay node replaces that with its own call reference and relays this message towards the originating exchange.

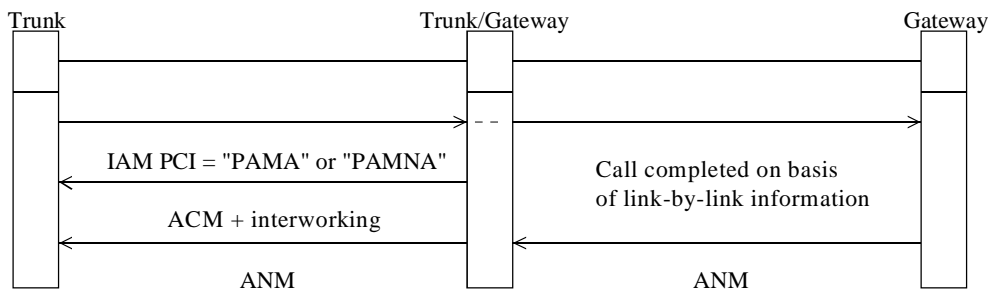
When the originating exchange receives the destination call reference from the exchange at the other end of the connection section, the signalling connection is regarded as in a ready state and end-to-end signalling information can be transferred over this connection.

a) PAMA between endpoints



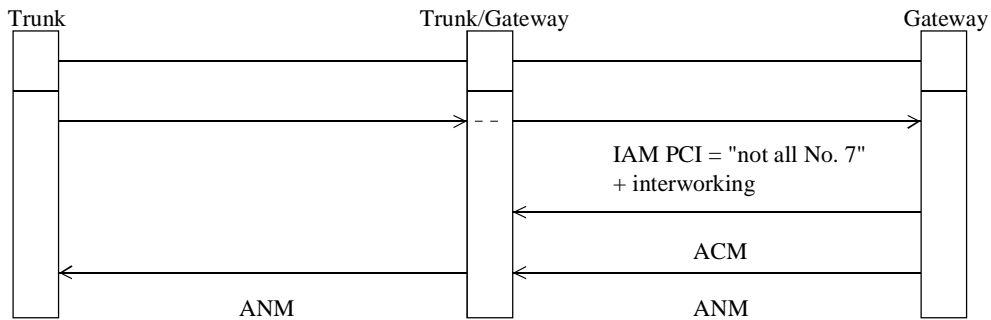
Either end is free to initiate further end-to-end interchanges subsequently.

b) PAMNA interworking towards destination



Origin informed that end-to-end interchange cannot be supported.

c) PAMNA interworking from origin



Destination informed that end-to-end interchange cannot be supported.

T1138940-91

PAMA Pass-along Method Available.
 PAMNA Pass-along Method Not Available.

Figure 1/Q.730 – Operation of end-to-end protocol (pass-along method)

Figure 2 shows the procedure for this case.

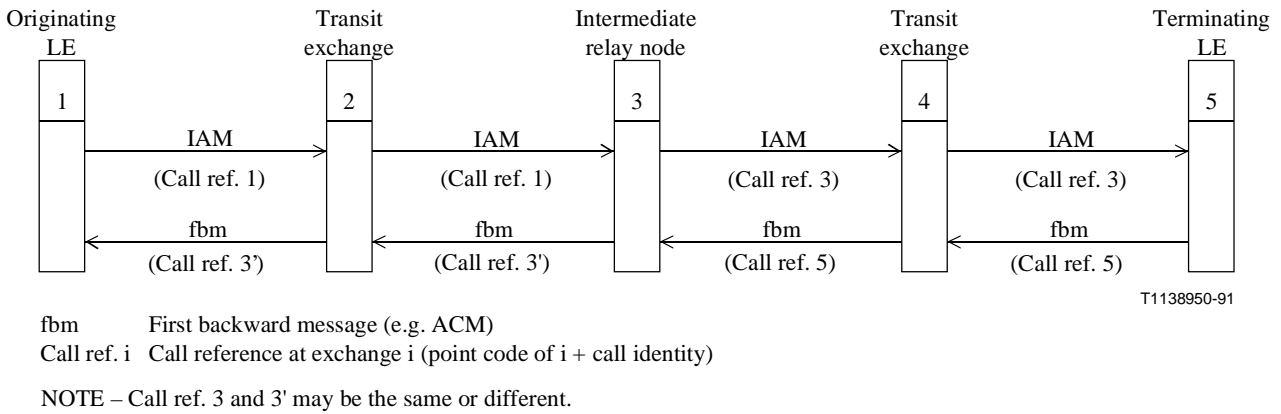


Figure 2/Q.730 – Simultaneous establishment of a bearer connection and an ISDN user part end-to-end signalling connection, based on SCCP connectionless data

1.4.7.1.2 Establishment of a signalling connection when the circuit-associated signalling path has been established

When the circuit-associated signalling path has already been established, the establishment of a signalling connection can be initiated either by the originating or the terminating exchange of a call. In this case, an Information Request message (INR) is transferred from the initiating exchange to the other end. This INR message contains a call reference as in the case of an IAM as described in 1.4.7.1.1 above.

An Information message (INF) containing a call reference as in the case of the first backward message in 1.4.7.1.1 is returned to the initiating exchange and a signalling connection is successfully established.

Figure 3 shows the procedure for this case.

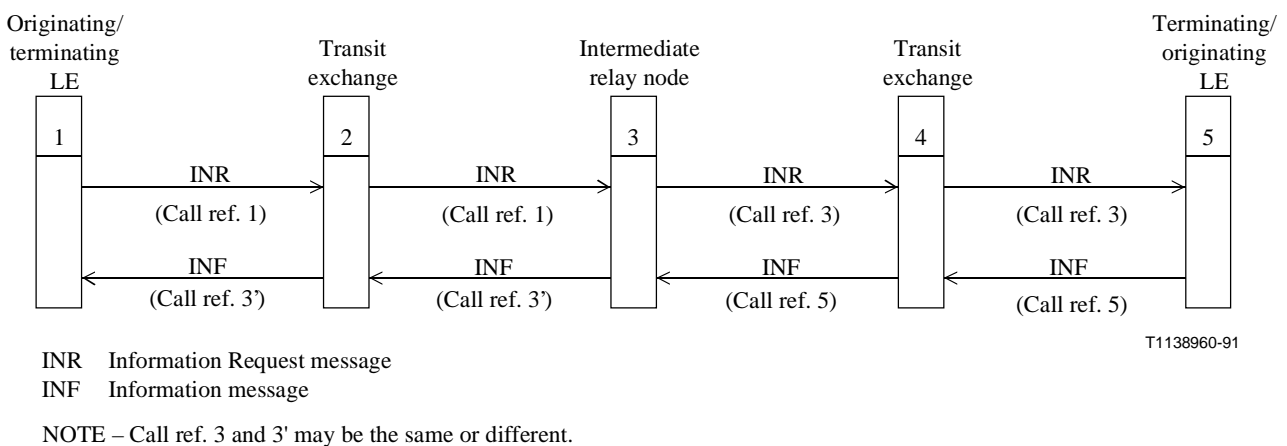


Figure 3/Q.730 – Establishment of an ISDN signalling connection based on SCCP connectionless class, after the establishment of a circuit-associated signalling path

1.4.7.2 Unsuccessful set-up of a signalling connection

In a case where a signalling connection cannot be established, e.g. due to interworking with a PSTN, the first backward message in response to the initial address message containing the originating call reference includes no call reference.

The procedure for this case is shown in Figure 4.

In a case where the establishment for a signalling connection is requested by an INR message as shown in Figure 3, the initiating exchange usually knows the end-to-end signalling capability for the call concerned and a signalling connection can successfully be established. However, if a signalling connection cannot be established for some reason, an INF message containing no call reference is returned to the initiating exchange. In these situations, the call may be released if the ISDN user part end-to-end signalling connection is essential to satisfy the service requirements of the call.

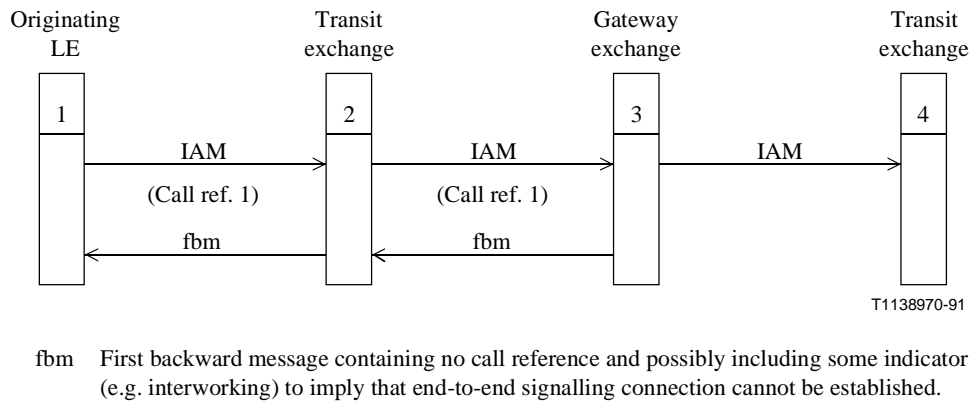


Figure 4/Q.730 – Unsuccessful establishment of an ISDN user part end-to-end signalling connection, SCCP connectionless class, e.g. due to interworking with a PSTN

1.4.7.3 Abnormal situations

If no response to the INR message containing the originating call reference is received for the time T33 at the initiating exchange and if necessary (e.g. in the case of an interworking exchange of different end-to-end signalling schemes) at an intermediate relay node, the call is released (see 2.9.7/Q.764).

The procedure for this case is shown in Figure 5.

In this case, the call reference(s) is frozen for the time T31 as described in 1.4.7.4.2.

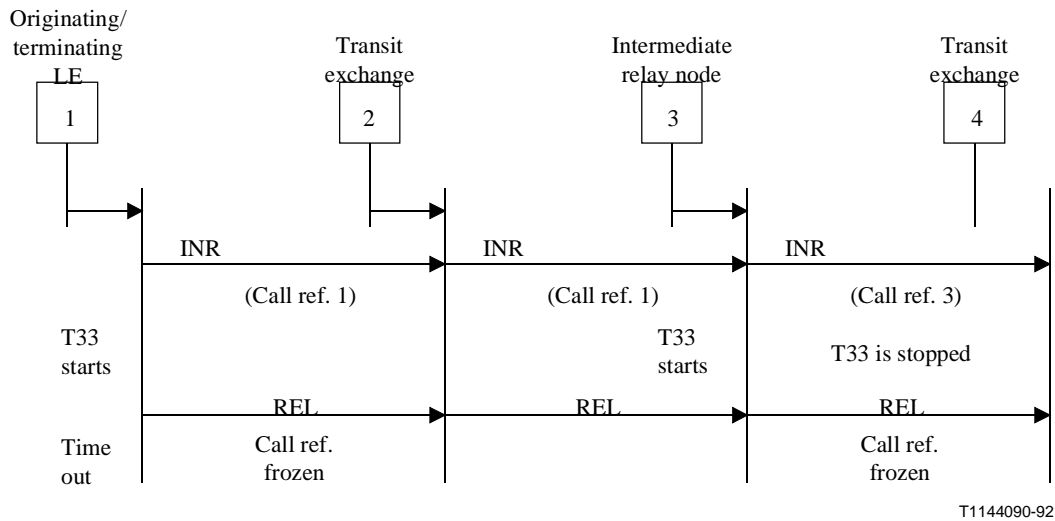


Figure 5/Q.730 – No response from SCCP after time T33 after the transmission of the originating call reference, during the establishment of an ISDN user part end-to-end signalling connection based on SCCP connectionless class

1.4.7.4 Release of a signalling connection

1.4.7.4.1 Simultaneous release of a physical connection and a signalling connection

When the call is released, the ISDN user part end-to-end signalling connection is considered to be released simultaneously. Call references allocated at local exchanges and intermediate relay node(s) are frozen for time T31 as described in 1.4.7.4.2 below.

The procedure for this case is shown in Figure 6.

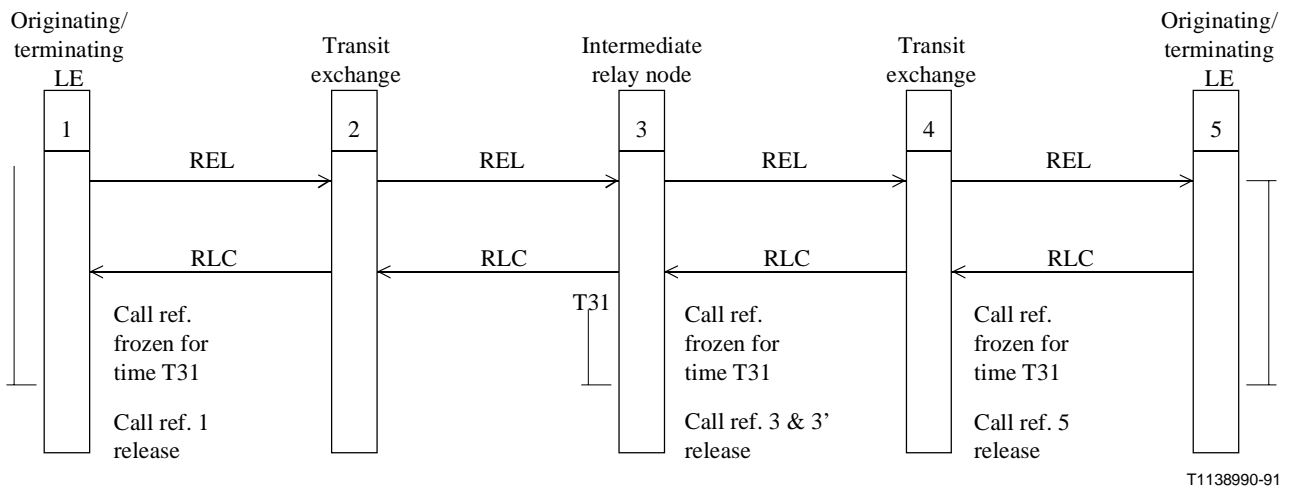


Figure 6/Q.730 – Simultaneous release of a bearer connection and ISDN user part end-to-end signalling connection based on connectionless class

1.4.7.4.2 Frozen call reference

When an ISDN user part end-to-end signalling connection is released, call references allocated for this signalling connection are frozen for time T31. These references will not be used for another signalling connection during the frozen period. T31 is chosen to sufficiently reduce the probability of erroneously associating a message with the previously used call reference. Optionally, call identities may be allocated to individual signalling connections in a cyclic manner so that a previously used call identity is not to be used again for a sufficient amount of time.

If an end-to-end message containing a frozen call reference is received, it is discarded.

1.4.7.5 End-to-end message transfer

An end-to-end message is transferred in an SCCP Unit Data (UDT) message according to the procedures defined in Recommendation Q.714. ISDN user part interfaces with SCCP via the primitives are defined in Recommendation Q.711 for this transfer. The UNIT-DATA request/indication primitive includes in its User Data parameter an ISDN user part message beginning with the message type and ending with the parameters.

At the local exchange which has responded to the request of establishment of an ISDN user part end-to-end signalling connection from the other local exchange, an end-to-end message cannot be transferred for time T32 or until the first end-to-end message has been received from the other end. T32 is chosen to sufficiently reduce the probability that an end-to-end message from the responding local exchange is received at the initiating local exchange or the intermediate relay node, before the ISDN user part message which contains the response to the signalling connection establishment request.

If a relay exchange receives an end-to-end message in a UDT, in any case the UDT will be forwarded to the succeeding exchange if possible.

The procedure for this case is shown in Figure 7.

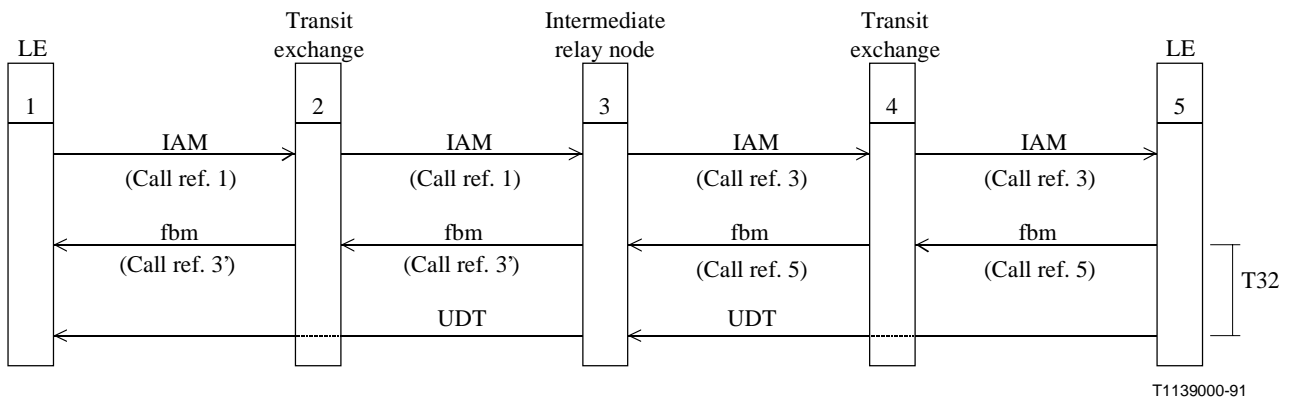


Figure 7/Q.730 – Transfer of UDT message from the local exchange which has responded to the ISDN user part signalling connection establishment request

1.4.8 Operation of the SCCP method – Connection-oriented service

The initial address message, the facility request message and (as for national option) the information message may be used for the embedded transfer of the connection request. The procedures described and the figures refer to the case where the connection request is sent in the forward direction. In principle, they also apply when the connection request is sent in the backward direction in the facility request or (as for national option) the information message.

For the connection request embedded in an ISDN user part message, an additional interface is used. This functional interface is described in Recommendations Q.711 and Q.714 (signalling connection control part of Signalling System No. 7). The interface elements are listed in 1.4.9.

Procedures concerning the SCCP are in accordance with those described in Recommendation Q.714 (signalling connection control part of Signalling System No. 7) and are described here only for illustrative purposes.

The SCCP may not be implemented at all international gateway exchanges. An embedded connection request will be handled as an unrecognized parameter at such an exchange and the information returned in the PCI shall indicate "no end-to-end method available (only link-by-link method available)". No further action is taken. This information is then evaluated by the exchange that has sent the information request (see 1.4.5).

1.4.8.1 Successful set-up of the ISDN user part end-to-end signalling connection

The following actions are performed at the originating exchange and at the destination exchange for the set-up of an SCCP end-to-end connection using embedded transfer of the connection request in an ISDN user part message (the numbers in the text correspond to the numbers in Figure 8):

- 1) The ISDN User Part (ISUP) at the originating exchange requests the SCCP to provide the necessary information for a connection request to the called address using the REQUEST type 1 interface element.
- 2) The SCCP at the originating exchange generates a connection request and transfers it to the ISDN user part using the REPLY interface element.
- 3) The ISDN user part at the originating exchange transmits the connection request embedded in an ISDN user part message to the ISDN user part at the destination exchange.
- 7) Upon receiving an embedded connection request in an ISDN user part message, the ISDN user part at the destination exchange transmits the received connection request to the SCCP using the REQUEST type 2 interface element.
- 8) The SCCP at the destination exchange informs the ISDN user part of a request to establish an end-to-end connection using the N-CONNECT indication primitive.
- 9) The ISDN user part responds to the request using the N-CONNECT response primitive.
- 10) Upon receiving the N-CONNECT response primitive from the ISDN user part, the SCCP at the destination exchange sends a connection confirm message into the backward direction.
- 12) Upon receiving a connection confirm message, the SCCP at the originating exchange informs the ISDN user part using the N-CONNECT confirmation primitive.

At those transit exchanges which are not SCCP relay points, the connection request embedded in an ISDN user part message is left unchanged by the ISDN user part and transferred into the forward direction.

An SCCP relay point is an exchange where two connection sections belonging to the same end-to-end connection are coupled.

The following actions are performed at an SCCP relay point for the coupling of two connection sections (the numbers in the text correspond to the numbers in Figure 8):

- 4) Upon receiving an embedded connection request in an ISDN user part (ISUP) message, the ISDN user part at the SCCP relay point transfers the received connection request to the SCCP using the REQUEST type 2 interface element with the reply request set.

- 5) The reply request in the REQUEST type 2 interface element causes the SCCP at the SCCP relay point to provide a connection request for a new connection section. The new connection request is provided to the ISDN user part using the REPLY interface element.
- NOTE – The SCCP allocates an outgoing local reference and associates the incoming and outgoing local references and their corresponding point codes.
- 6) The ISDN user part at the SCCP relay point transmits the connection request embedded in an ISDN user part message.
 - 11) Upon receiving a connection confirm message, the SCCP at the SCCP relay point sends a connection confirm message into the backward direction.

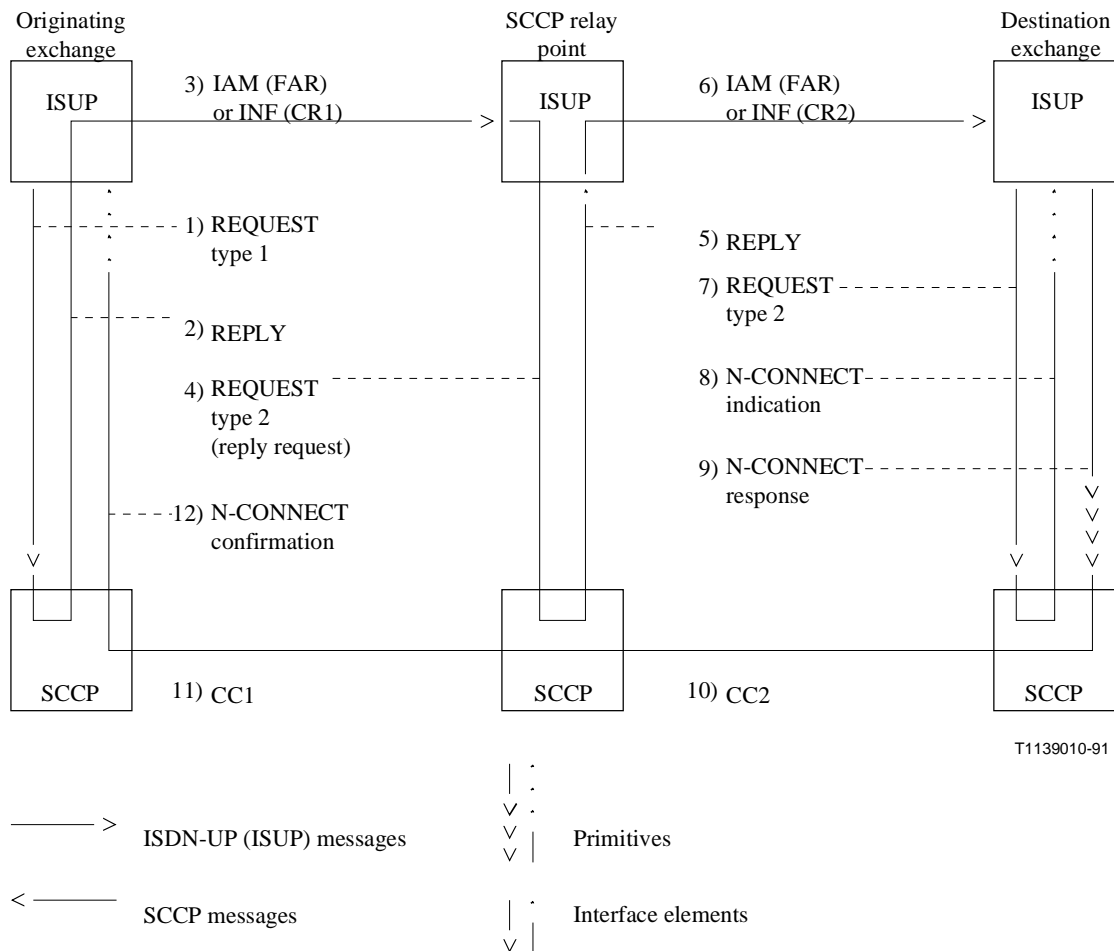


Figure 8/Q.730 – Embedded transfer of the connection request actions under successful set-up of the SCCP end-to-end connection

1.4.8.2 Unsuccessful set-up of the SCCP end-to-end connection

If the ISDN user part end-to-end signalling connection cannot be extended beyond a transit exchange because (for instance) interworking occurs, the ISDN user part at this transit exchange initiates the refusal of the connection request which is then performed by the SCCP. The set-up of the physical connection may be continued.

If the ISDN user part initiates the refusal of a connection request received embedded in the initial address message, in general the following actions are performed. The numbers in the text correspond to the numbers in Figure 9:

- 1) Upon receiving an embedded connection request, the ISDN user part transfers the received connection request to the SCCP using the REQUEST type 2 interface element with the refusal indicator set.
- 2) Upon receiving the REQUEST type 2 interface element with the refusal indicator set, the SCCP sends a Connection Refused message (CREF) into the backward direction.
- 3) Upon receiving a connection refused message, the SCCP at the originating exchange informs the ISDN user part using the N-DISCONNECT indication primitive.

If the SCCP at an SCCP relay point receives a connection refused message instead of a connection confirm message, the incoming connection section is also released by sending a connection refused message into the backward direction.

If the SCCP at the destination exchange fails to set up the requested end-to-end connection, the following actions are performed to refuse the connection request received in a REQUEST type 2 interface element (the numbers in the text correspond to the numbers in Figure 10):

- 1) The SCCP at the destination exchange sends an N-DISCONNECT indication primitive to the ISDN user part.
- 2) At the same time the SCCP sends a connection refused message into the backward direction. In these situations, the call may be released if the ISDN user part end-to-end signalling connection is essential to satisfy the service requirements of the call.

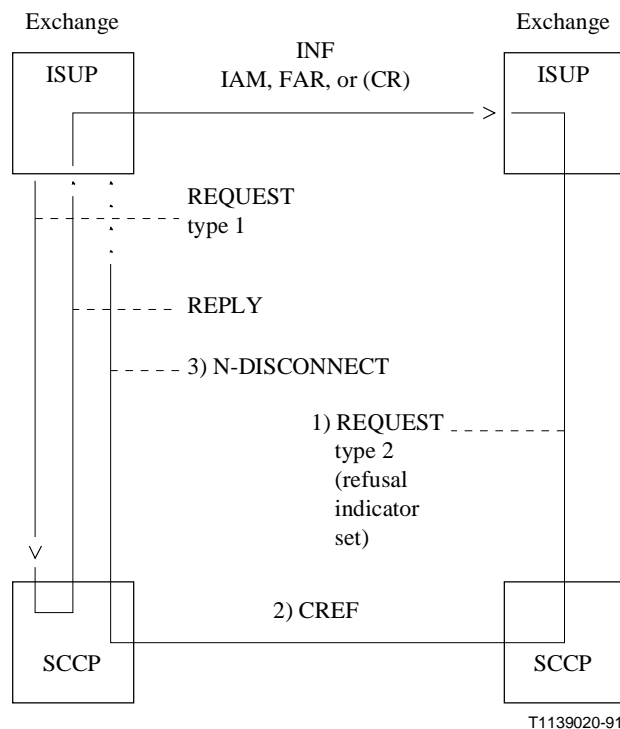


Figure 9/Q.730 – Embedded transfer of the connection request and refusal of the connection request initiated by the ISDN user part

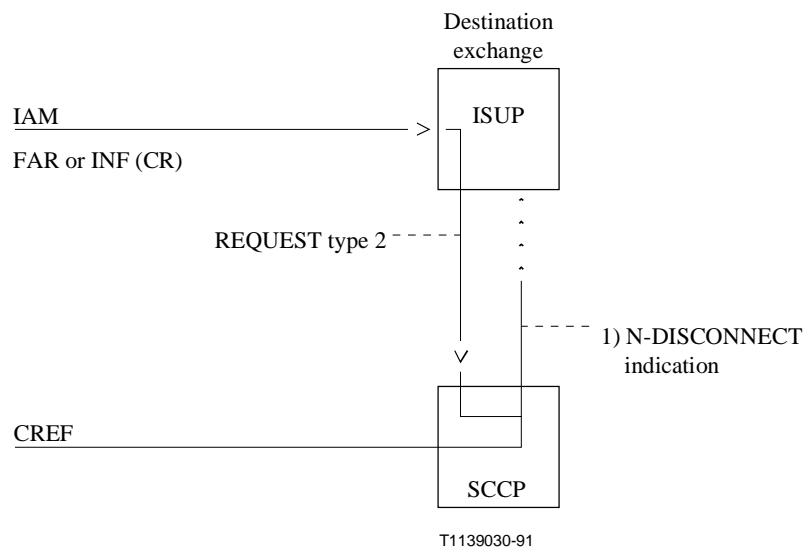


Figure 10/Q.730 – Embedded transfer of the connection request failure of the SCCP at the destination exchange in setting up the requested end-to-end connect

1.4.8.3 Unsuccessful set-up of the physical connection

If the physical connection cannot be set up at a transit exchange, in addition to releasing the physical connection so far established, the ISDN user part initiates the refusal of the connection request. The same actions are performed as at a transit exchange beyond which a logical connection cannot be extended.

If the physical connection cannot be set up at the destination exchange, the ISDN user part can initiate either the refusal or the confirmation of the connection request depending on supplementary services. It may be preferred to always confirm the connection request to allow for the initiation of supplementary services by the calling subscriber.

1.4.8.4 Release of the ISDN User Part (ISUP) end-to-end signalling connection

1.4.8.4.1 Simultaneous release of the physical and ISUP signalling connections

The release of the ISDN user part end-to-end signalling connection is initiated from the exchange which initiates the release of the call concerned. At the initiating exchange of call release, when the ISDN user part Release message (REL) is transmitted, ISDN user part requests SCCP to transmit a Released message (RLSD). This RLSD message contains a cause value of "end user originated" in its cause parameter, if a normal call release initiated by a user is taking place.

Figure 11 shows the procedure for this case.

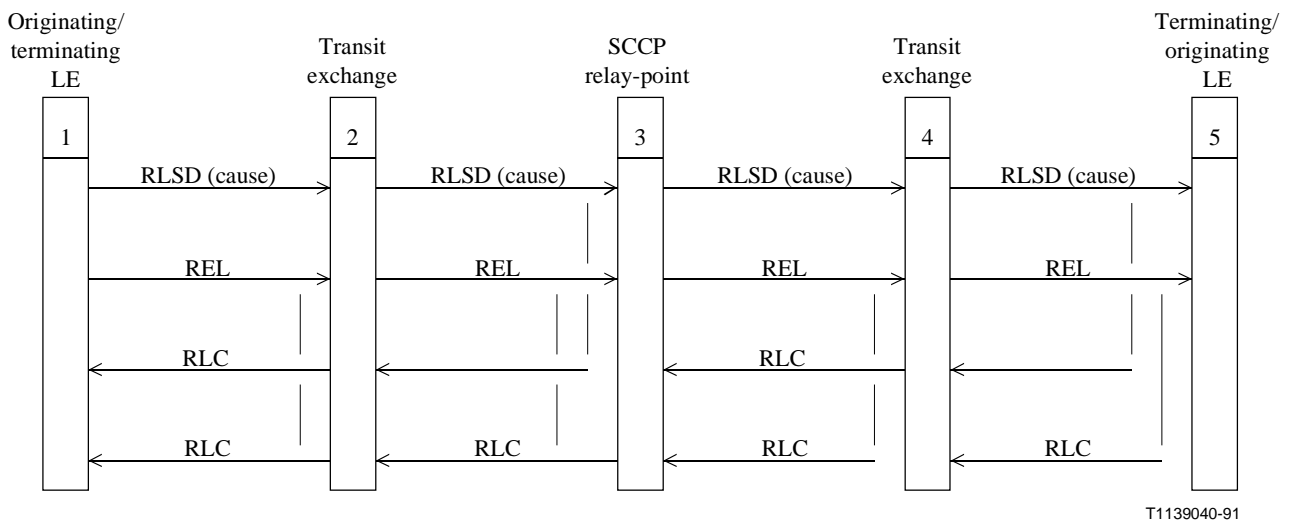


Figure 11/Q.730 – Simultaneous release of a bearer connection and an ISDN user part end-to-end signalling connection based on SCCP connection oriented class

In the case where no application requires the ISDN user part end-to-end signalling connection to be maintained, the ISDN user part at a local exchange, or an exchange performing chaining, requests the SCCP to release the SCCP end-to-end connection if it receives a Release message (REL) and the SCCP has not yet received a Released (RLSD) message at that time (see Figure 12).

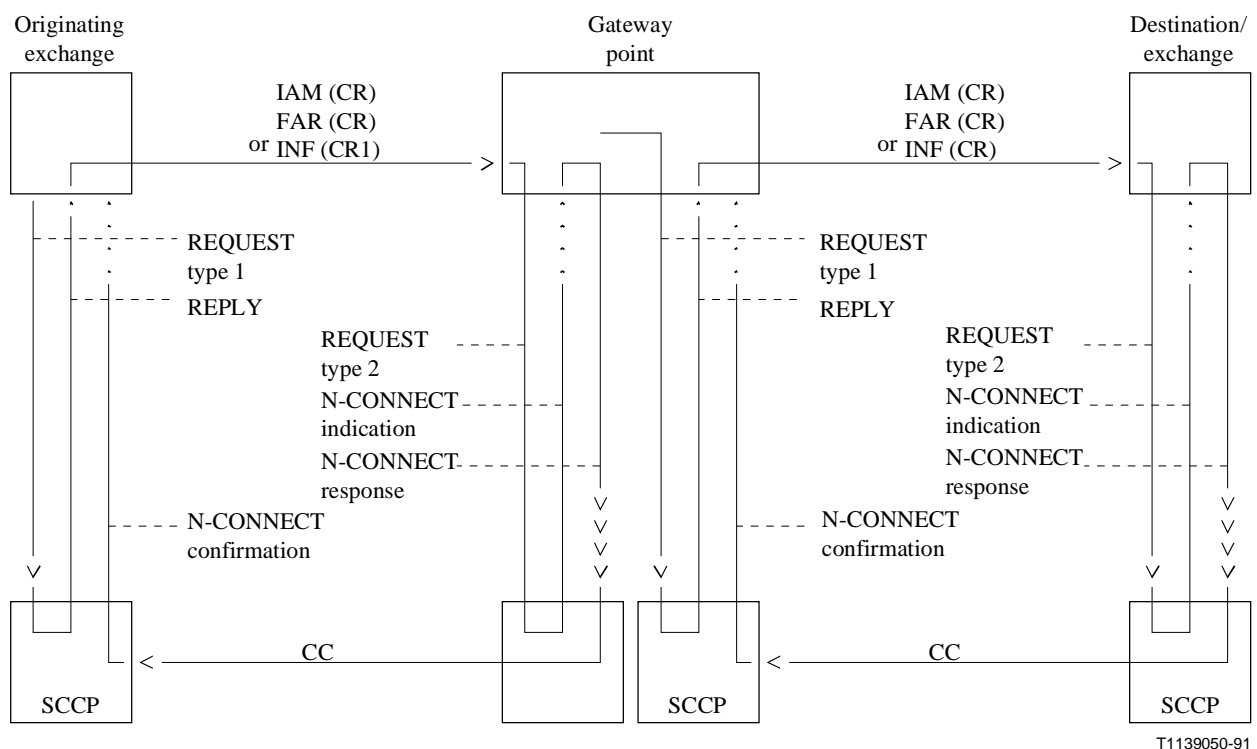


Figure 12/Q.730 – Chaining of end-to-end connections (the outgoing end-to-end connection is assumed to be of the same type as the incoming end-to-end connection)

1.4.8.4.2 Non-simultaneous release of the physical and the ISDN user part end-to-end signalling connections

Procedures for non-simultaneous release of the physical and the ISDN user part end-to-end signalling connections are to be defined in appropriate supplementary service procedures.

1.4.8.5 End-to-end message transfer

An end-to-end message is transferred in an SCCP data (DT1/DT2) message according to the procedures defined in Recommendation Q.714. ISDN user part interfaces with SCCP via the primitives as defined in Recommendation Q.711 for this transfer. The data request/indication primitive includes in its user data parameter an ISDN user part message beginning with the message type code and ending with the parameters.

1.4.9 Interface elements between ISDN user part and SCCP (embedded transfer)

The ISDN user part may use the functional interface as defined in Recommendation Q.711. Three interface elements are defined for this functional interface:

- a) the REQUEST type 1;
- b) the REQUEST type 2;
- c) the REPLY.

The contents of these three interface elements is shown in Appendix I.

Figures 8, 9 and 11 indicate the usage of the interface elements during the set-up of a circuit-switched connection together with an SCCP connection.

1.5 Layout of service Recommendations

Each type of supplementary service will be defined in separate clauses of its respective Recommendation, each containing the complete procedures encompassing both the ISDN user part and the procedures to be used on the top Transaction Capability (TC) where appropriate.

Each service Recommendation contains a general paragraph giving details of the specific service with reference to the stage 1.2 and descriptions defined in the Recommendations of the I.250-series, the Q.80-Series and the Q.950-Series. The call set-up procedures and the actions taken at the concerned exchanges are defined. Arrow diagrams showing the message flow for both successful and unsuccessful establishment of the service are generally included. The formats and coding aspects are not defined in this Recommendation but references are made out to the appropriate ISDN user part, TC or Signalling Connection Control Part (SCCP) Recommendations.

The agreed format for each supplementary service is indicated below:

- 1 Introduction
 - 1.1 Scope
 - 1.2 References
 - 1.3 Terms and definitions
 - 1.4 Abbreviations
- 2 Description
 - 2.1 General description
 - 2.2 Specific terminology (contains reference to 1.3)
 - 2.3 Qualifications on the applicability to telecommunication services
 - 2.4 State definitions

- 3 Operational requirements
 - 3.1 Provision/withdrawal
 - 3.2 Requirements on the originating network side
 - 3.3 Requirements in the network
 - 3.4 Requirements on the terminating network side
- 4 Coding requirements
- 5 Signalling requirements
 - 5.1 Activation/deactivation/registration
 - 5.2 Invocation and operation
 - 5.2.1 Actions at the originating local exchange
 - 5.2.1.1 Normal operation
 - 5.2.1.2 Exceptional procedures
 - 5.2.2 Actions at the transit exchange
 - 5.2.2.1 Normal operation
 - 5.2.2.2 Exceptional procedures
 - 5.2.3 Actions at the outgoing international gateway exchange
 - 5.2.3.1 Normal operation
 - 5.2.3.2 Exceptional procedures
 - 5.2.4 Actions at the incoming international gateway exchange
 - 5.2.4.1 Normal operation
 - 5.2.4.2 Exceptional procedures
 - 5.2.5 Actions at the destination local exchange
 - 5.2.5.1 Normal operation
 - 5.2.5.2 Exceptional procedures
- 6 Interaction with other supplementary services
 - 6.1 Call Waiting (CW)
 - 6.2 Call transfer services
 - 6.3 Connected Line Identification Presentation (COLP)
 - 6.4 Connected Line Identification Restriction (COLR)
 - 6.5 Calling Line Identification Presentation (CLIP)
 - 6.6 Calling Line Identification Restriction (CLIR)
 - 6.7 Closed User Group (CUG)
 - 6.8 Conference Calling (CONF)
 - 6.9 Direct-Dialling-In (DDI)
 - 6.10 Call Diversion Services (CDIV)
 - 6.10.1 Call Forwarding Busy (CFB)
 - 6.10.2 Call Forwarding No Reply (CFNR)
 - 6.10.3 Call Forwarding Unconditional (CFU)
 - 6.10.4 Call Deflection (CD)
 - 6.11 Line Hunting (LH)

- 6.12 Three-Party Service (3PTY)
- 6.13 User-to-User Signalling (UUS)
 - 6.13.1 User-to-User Signalling, service 1 (UUS1)
 - 6.13.2 User-to-User Signalling, service 2 (UUS2)
 - 6.13.3 User-to-User Signalling, service 3 (UUS3)
- 6.14 Multiple Subscriber Number (MSN)
- 6.15 Call Hold (HOLD)
- 6.16 Advice of Charge (AOC)
- 6.17 Sub-addressing (SUB)
- 6.18 Terminal Portability (TP)
- 6.19 Completion of Calls to Busy Subscriber (CCBS)
- 6.20 Malicious Call Identification (MCID)
- 6.21 Reverse charging (REV) (for national use)
- 6.22 Multi-Level Precedence and Preemption (MLPP)
- 6.23 Private Numbering Plan (PNP) (for further study)
- 6.24 International Telecommunication Charge Card (ITCC)
- 6.25 Global Virtual Network Services (GVNS)
- 7 Interaction with other networks
- 8 Signalling flows
- 9 Parameter values (timers)
- 10 Dynamic description

1.6 List of supplementary services

The following set of supplementary services is currently identified and more may be identified in the future:

Recommendation Q.731

NUMBER IDENTIFICATION SUPPLEMENTARY SERVICES

- Q.731.1 Direct-Dialling-In (DDI)
- Q.731.2 Multiple Subscriber Number (MSN)
- Q.731.3 Calling Line Identification Presentation (CLIP)
- Q.731.4 Calling Line Identification Restriction (CLIR)
- Q.731.5 Connected Line Identification Presentation (COLP)
- Q.731.6 Connected Line Identification Restriction (COLR)
- Q.731.7 Malicious Call Identification (MCID)
- Q.731.8 Sub-addressing (SUB)

Recommendation Q.732

CALL OFFERING SUPPLEMENTARY SERVICES

- Q.732.1 Call Transfer (CT)
- Q.732.2 Call Forwarding Busy (CFB)
- Q.732.3 Call Forwarding No Reply (CFNR)
- Q.732.4 Call Forwarding Unconditional (CFU)
- Q.732.5 Call Deflection (CD)
- Q.732.6 Line Hunting (LH)
- Q.732.7 Explicit Call Transfer (ECT)
- Q.732.8 Single Step Call Transfer (SCT)

Recommendation Q.733

CALL COMPLETION SUPPLEMENTARY SERVICES

- Q.733.1 Call Waiting (CW)
- Q.733.2 Call Hold (HOLD)
- Q.733.3 Completion of Calls to Busy Subscribers (CCBS)
- Q.733.4 Terminal Portability (TP)

Recommendation Q.734

MULTIPARTY SUPPLEMENTARY SERVICES

- Q.734.1 Conference Calling (CONF)
- Q.734.2 Three-Party Service (3PTY)

Recommendation Q.735

COMMUNITY OF INTEREST SUPPLEMENTARY SERVICES

- Q.735.1 Closed User Group (CUG)
- Q.735.3 Multi-Level Precedence and Preemption (MLPP)
- Q.735.6 Global Virtual Network Service (GVNS)

Recommendation Q.736

CHARGING SUPPLEMENTARY SERVICES

- Q.736.1 International Telecommunication Charge Card (ITCC)

Q.736.2 Advice of Charge (AOC)

Q.736.3 Reverse Charge (REV)

Recommendation Q.737

ADDITIONAL INFORMATION TRANSFER SUPPLEMENTARY SERVICE

Q.737.1 User-to-User Signalling (UUS)

1.7 Association of supplementary services to bearer services and teleservices

See clause 3/I.250.

1.8 Definition of supplementary services

See clause 4/I.250.

APPENDIX I

Contents of the interface elements between the ISDN user part and the SCCP

These interface elements are defined in SCCP Recommendations (Q.711 to Q.716) and are included here for information.

I.1 Contents of the REQUEST type 1

The REQUEST type 1 interface element may contain the following parameters:

- connection identification (for further study);
- receipt confirmation selection;
- expedited data selection;
- quality of service parameter set.

I.2 Contents of the REQUEST type 2

The REQUEST type 2 interface element may contain the following parameters:

- network indicator (for further study);
- protocol class;
- credit;
- connection identification (for further study);
- source local reference;
- originating signalling point code;
- reply request;
- refusal indicator.

I.3 Contents of the REPLY

The REPLY interface element may contain the following parameters:

- source local reference;
- protocol class;
- credit;
- connection identification (for further study).

APPENDIX II

Redirection (national use)

II.1 Parameter formats and codes

II.1.1 Redirect capability

The format of the Redirect capability parameter field is shown in Figure II.1.

8	7	6	5	4	3	2	1
H	G	F	E	D	C	B	A

Figure II.1/Q.730 – Redirect capability parameter field

The following codes are used in the Redirect capability parameter field:

bits			
C	B	A	redirection possible indicator
0	0	0	not used
0	0	1	redirection possible before ACM
0	1	0	redirection possible before ANM
0	1	1	redirection possible at any time during the call
1	0	0	}
	to		
1	1	1	
bits G–D: spare			
bit			
H			Extension indicator
0			information continues through the next octet
1			last octet

II.1.2 Redirect counter

The format of the Redirect counter parameter fields is shown in Figure II.2:

8	7	6	5	4	3	2	1
H	G	F	E	D	C	B	A

Figure II.2/Q.730 – Redirect counter parameter field

The following codes are used in the Redirect counter parameter field:

bits EDCBA	redirect counter
	binary value of the number of redirections
bits HGF	spare

II.2 Procedures

This procedure provides a general mechanism that can be used by an exchange that decides that the call should be set up to a called number other than that identified in the received Called party number parameter. In general such an exchange can "forward" the call on to the new called number, or alternatively invoke this redirect mechanism to request a preceding exchange involved in the call to route the call to the new number. Forwarding should be used for services where the service-invoking exchange retains some interest in the call, e.g. for charging purposes. Redirection can optionally be used when it is desirable to release from the call path the service-invoking exchange and exchanges between this exchange and the exchange performing the redirection.

The operation of Redirection in the absence of interaction with supplementary services may not be appropriate to provide all end user services. The following theoretical example service illustrates the type of service that could make use of the basic Redirection functionality:

- A caller dials a server which performs voice recognition or an operator system to determine the Called Party Address for this call. Redirection allows the server or operator system to be removed from the call path and the call completes as if the caller had dialled the desired party without interacting with the server or operator system.

General interactions with supplementary services are for further study.

Private network interactions require that the Redirect counter be conveyed and Redirection procedures observed when entering or exiting a private network. The mechanism for this is for further study.

Any exchange that offers to redirect a call should indicate at least the preferred ISUP. The offer to perform redirection may be lost in some interworking situations with older versions of ISUP.

Echo control interaction with redirection requires further study.

NOTE – The procedure described here may not provide redirection through ISUP'92 Type A exchanges. Further study is required to develop a procedure which will always operate through ISUP'92 Type A exchanges. Such a procedure may not be fully compatible with the procedure described here. A procedure which will always operate through ISUP'92 Type A exchanges may be suitable for inclusion in the international interface.

II.2.1 Normal procedures

II.2.1.1 Originating local exchange

An originating local exchange that wishes to offer to perform the redirecting function shall store the sent IAM information and the value of the Redirect counter and shall send the Redirect capability parameter in the IAM. The Redirect capability parameter shall indicate the latest call state in which a redirection request can be accepted. The setting of this indication is implementation dependent, and may depend on the services being requested by the calling subscriber. Service applications may require additional information to be sent forward. The IAM information can be released when a redirection request can no longer be acted on by this exchange. Additional functionality to limit how long the IAM information must be retained; in particular, when the Redirect capability parameter indicates an offer of redirection after answer is for further study.

II.2.1.2 Intermediate exchange

The intermediate exchange with Redirection capability shall store the received IAM (including the Redirect capability parameter and Redirect counter parameter, if any). If the exchange wishes to offer to perform the redirection function with a higher capability (i.e. is willing to support Redirection to a later call state) than indicated in the received Redirect capability parameter, then the Redirect capability parameter shall be modified to allow the higher capability (unless service applications impose other requirements or the Redirect counter value equals or exceeds the network determined maximum value). Otherwise, the parameter is passed unchanged to the subsequent exchange.

An intermediate exchange may also be the first exchange to indicate that redirection is possible, in which case it performs the actions described for the originating local exchange in II.2.1.1.

The IAM information can be released when a redirection request can no longer be acted on by this intermediate exchange, even if there is still a prior exchange supporting Redirection to a later call state. Additional functionality to limit how long the IAM information must be retained, in particular after an offer of redirection after answer, is for further study.

II.2.1.3 Invoking exchange

An exchange that determines a new called number for the call and wishes to invoke the Redirection procedure shall examine the Redirect capability parameter to determine whether redirection is possible in the current call state. If redirection is possible, it shall release the call (optionally, using Cause 23). The Redirection number parameter (containing the new called party number) and the Redirect counter parameter (set to the value received in the IAM, or set to zero if no Redirect counter was received) shall be included in the Release message. Service applications may require additional information to be sent back in the Release message, e.g. to indicate the reason for the redirection.

The sending of a Release message with Redirection number parameter after the sending of the Answer message may affect ISDN services for the call. The service exchange should take this into account when deciding whether to invoke this redirection procedure. If redirection is used after the sending of the Address Complete message, the exchange that performs the redirection will receive an Address Complete message from the new leg of the call. This second Address Complete message shall be mapped by the redirecting exchange to a Call Progress message, according to Recommendation Q.732. Similarly for the Answer message, if redirection is done after the call is answered, the redirecting exchange shall not pass on the Answer message received from the new leg of the call, but shall map the Answer to a Call Progress message.

The option to send a Facility Request message rather than a Release message to request redirection of the call is for further study.

II.2.1.4 Exchange receiving a redirection request

The actions at an exchange having the Redirection capability and receiving a Release message with Redirection number parameter will depend on whether the IAM received from the previous exchange, if any, had included a Redirect capability parameter and on the service logic at that exchange as follows:

- 1) If a previous exchange had indicated "Redirect possible" and the call has not yet progressed beyond the state indicated in the Redirect capability parameter received from the previous exchange, the Release message is passed back unchanged, unless service logic determines that this exchange should redirect the call, in which case it should redirect the call as described below for the redirecting exchange.
- 2) If:
 - a) the previous exchange had not indicated "Redirect possible"; or
 - b) there is no previous exchange; or
 - c) the call has progressed beyond the state indicated in the Redirect capability parameter received from the previous exchange,

then if the call has not progressed beyond the state indicated in the sent Redirect capability parameter, the exchange (having the redirection capability) should progress the call toward the new called number as described below for the redirecting exchange. Otherwise, normal release procedures apply and the Release message will be passed to the previous exchange, if applicable. The redirecting exchange shall construct a new IAM as follows:

- The Called party number parameter is populated with the relevant fields of the Redirection number received in the Release message.
- The value of the Redirect counter shall be incremented by one from the value in the received Release message. If this would lead to a counter value above the network determined maximum (up to 31), the call shall fail and exceptional procedures apply.
- Additional parameters are populated as required by the applicable Service application(s).
- The rest of the IAM shall be constructed from the stored IAM information.

II.2.2 Exceptional procedures

If a Release message with Redirection number parameter is received and the exchange had not sent the Redirect capability parameter in the IAM, normal release procedures apply.

If a Release message with Redirection number parameter is received and the exchange had sent the Redirect capability parameter in the IAM, but had not indicated that redirection was possible in the current call state, normal release procedures apply. The Release message is passed back unchanged.

If the Redirection procedure would lead to the sending of an IAM with value above the network determined maximum (up to 31), the call is released with cause value "network out of order" (Cause 38).

As a network option, if a Release message with Cause 23 is received without a Redirection Number in an exchange that is prepared to perform redirection, the call is released with cause value "normal, unspecified" (Cause 31).

II.2.3 Interworking considerations

The flow of information from the NNI to the UNI when redirection has been invoked must be described in the invoking service specification and is therefore outside the scope of this Recommendation.

ITU-T RECOMMENDATIONS SERIES

- Series A Organization of the work of the ITU-T
- Series B Means of expression: definitions, symbols, classification
- Series C General telecommunication statistics
- Series D General tariff principles
- Series E Overall network operation, telephone service, service operation and human factors
- Series F Non-telephone telecommunication services
- Series G Transmission systems and media, digital systems and networks
- Series H Audiovisual and multimedia systems
- Series I Integrated services digital network
- Series J Transmission of television, sound programme and other multimedia signals
- Series K Protection against interference
- Series L Construction, installation and protection of cables and other elements of outside plant
- Series M TMN and network maintenance: international transmission systems, telephone circuits, telegraphy, facsimile and leased circuits
- Series N Maintenance: international sound programme and television transmission circuits
- Series O Specifications of measuring equipment
- Series P Telephone transmission quality, telephone installations, local line networks
- Series Q Switching and signalling**
- Series R Telegraph transmission
- Series S Telegraph services terminal equipment
- Series T Terminals for telematic services
- Series U Telegraph switching
- Series V Data communication over the telephone network
- Series X Data networks and open system communication
- Series Z Programming languages