



INTERNATIONAL TELECOMMUNICATION UNION

ITU-T

TELECOMMUNICATION
STANDARDIZATION SECTOR
OF ITU

Q.683

INTERWORKING OF SIGNALLING SYSTEMS

**LOGIC PROCEDURES FOR INTERWORKING
OF SIGNALLING SYSTEM R2 TO No. 6**

ITU-T Recommendation Q.683

(Extract from the *Blue Book*)

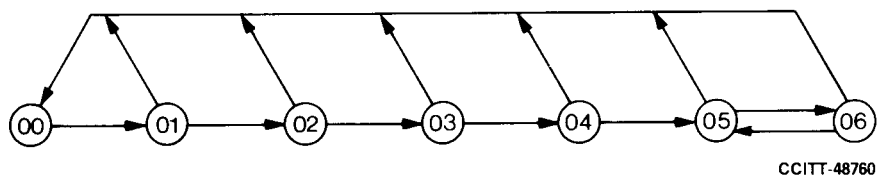
NOTES

1 ITU-T Recommendation Q.683 was published in Fascicle VI.6 of the *Blue Book*. This file is an extract from the *Blue Book*. While the presentation and layout of the text might be slightly different from the *Blue Book* version, the contents of the file are identical to the *Blue Book* version and copyright conditions remain unchanged (see below).

2 In this Recommendation, the expression “Administration” is used for conciseness to indicate both a telecommunication administration and a recognized operating agency.

Recommendation Q.683

LOGIC PROCEDURES FOR INTERWORKING OF SIGNALLING SYSTEM R2 TO No. 6



State number	State description	Sheet reference
00	Idle	1, 2
01	Wait for calling party's category	1
02	Wait for Z-digit	1
03	Wait for address-complete	2
04	Wait for answer	2
05	Answered	2
06	Clear-back	2

FIGURE 1/Q.683
State overview diagram for interworking of Signalling System R2 to No. 6

FIGURE 2/Q.683
 (Reserved for future notes)

Connector reference

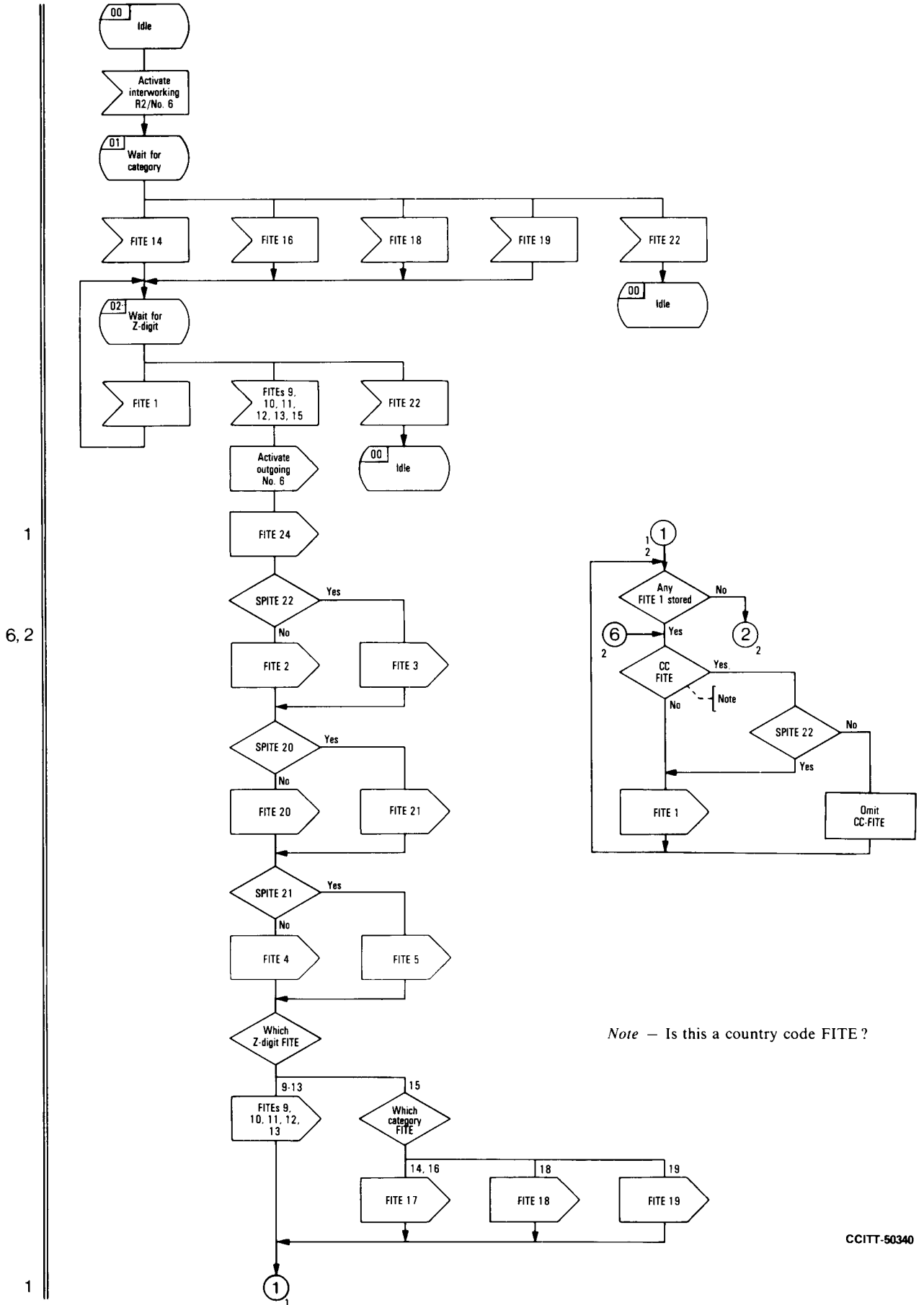
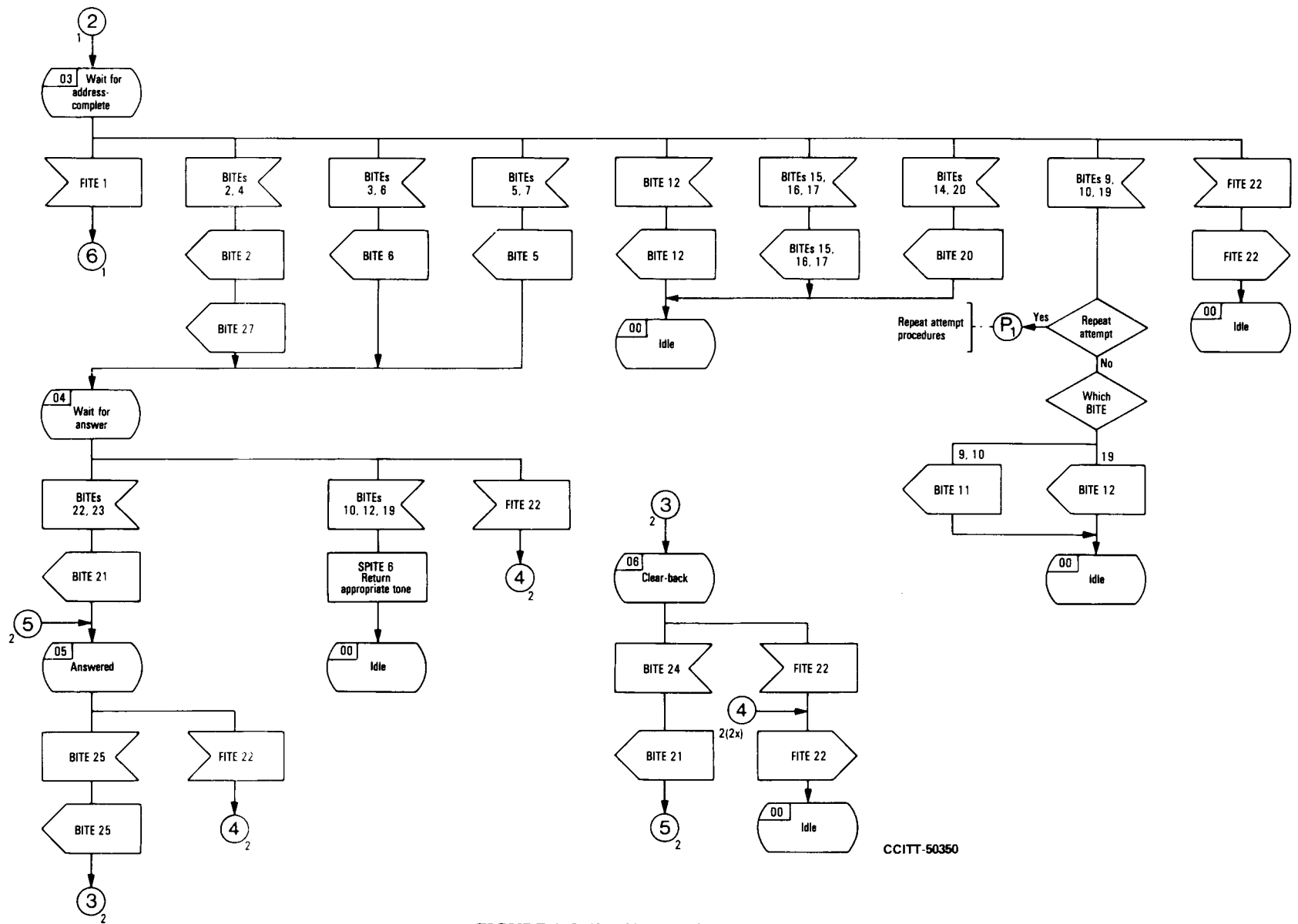


FIGURE 3/Q.683 (Sheet 1 of 2)
Interworking of Signalling System R2 to No. 6

Connector reference

2
6
3
4
5
4
4, 5
3



CCITT-50350

FIGURE 3/Q.683 (Sheet 2 of 2)
Interworking of Signalling System R2 to No. 6