



INTERNATIONAL TELECOMMUNICATION UNION

ITU-T

TELECOMMUNICATION
STANDARDIZATION SECTOR
OF ITU

Q.682

INTERWORKING OF SIGNALLING SYSTEMS

**LOGIC PROCEDURES FOR
INTERWORKING OF SIGNALLING
SYSTEM R2 TO No. 5 (TUP)**

ITU-T Recommendation Q.682

(Extract from the *Blue Book*)

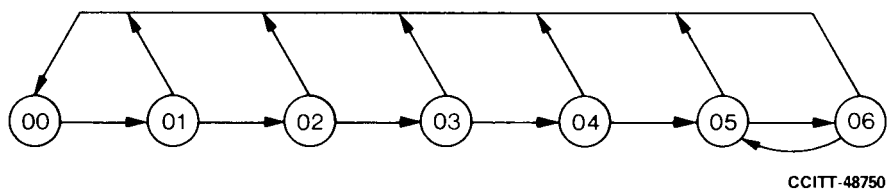
NOTES

1 ITU-T Recommendation Q.682 was published in Fascicle VI.6 of the *Blue Book*. This file is an extract from the *Blue Book*. While the presentation and layout of the text might be slightly different from the *Blue Book* version, the contents of the file are identical to the *Blue Book* version and copyright conditions remain unchanged (see below).

2 In this Recommendation, the expression “Administration” is used for conciseness to indicate both a telecommunication administration and a recognized operating agency.

Recommendation Q.682

LOGIC PROCEDURES FOR INTERWORKING OF SIGNALLING SYSTEM R2 TO No. 5 (TUP)

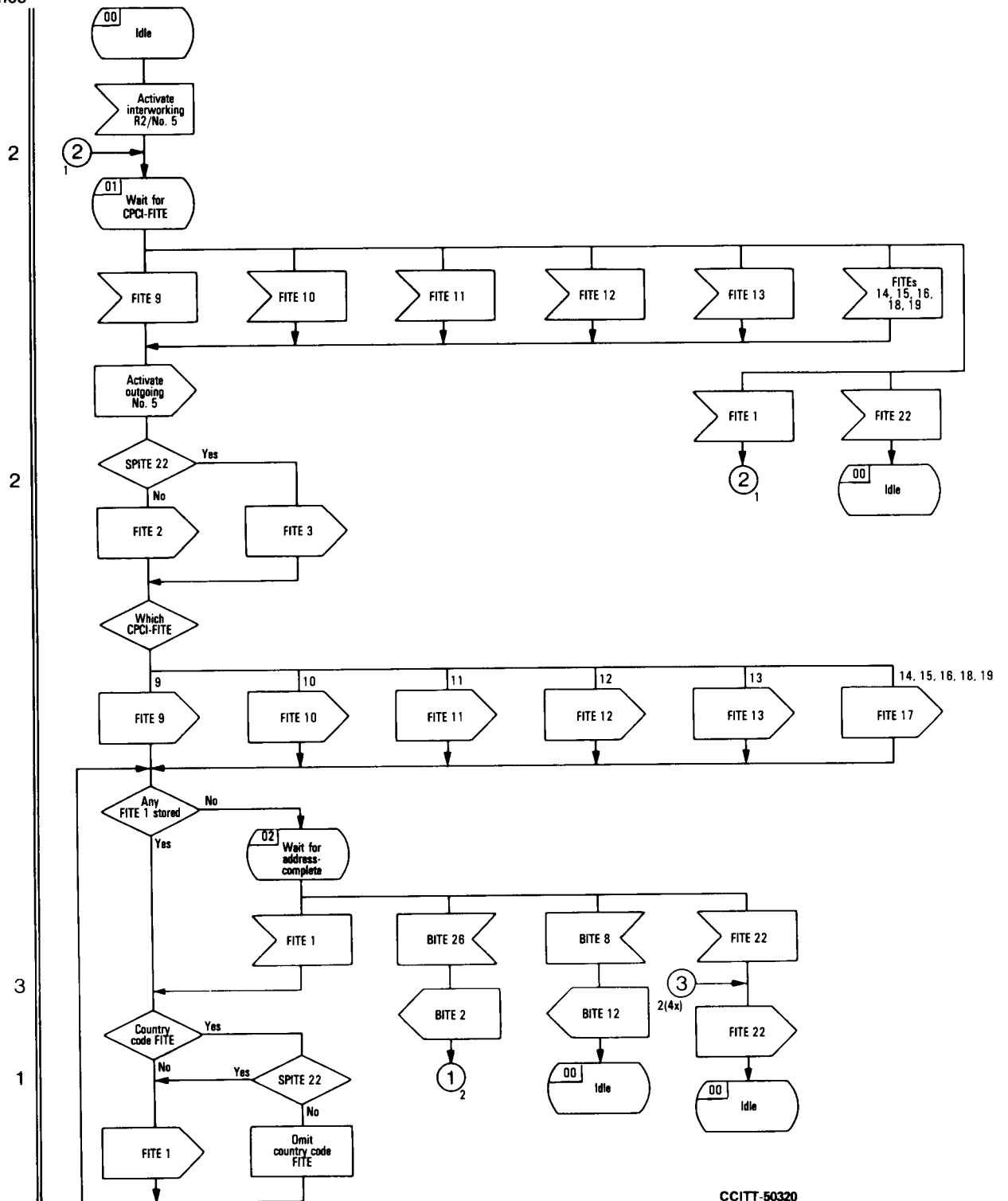


<i>State number</i>	<i>State description</i>	<i>Sheet reference</i>
00	Idle	1, 2
01	Wait for CPCI-FITE	1
02	Wait for address-complete	1
03	Wait for register deactivation	2
04	Wait for answer	2
05	Answered	2
06	Clear-back	2

FIGURE 1/Q.682
State overview for interworking of Signalling System R2 to No. 5

FIGURE 2/Q.682
(Reserved for futures notes)

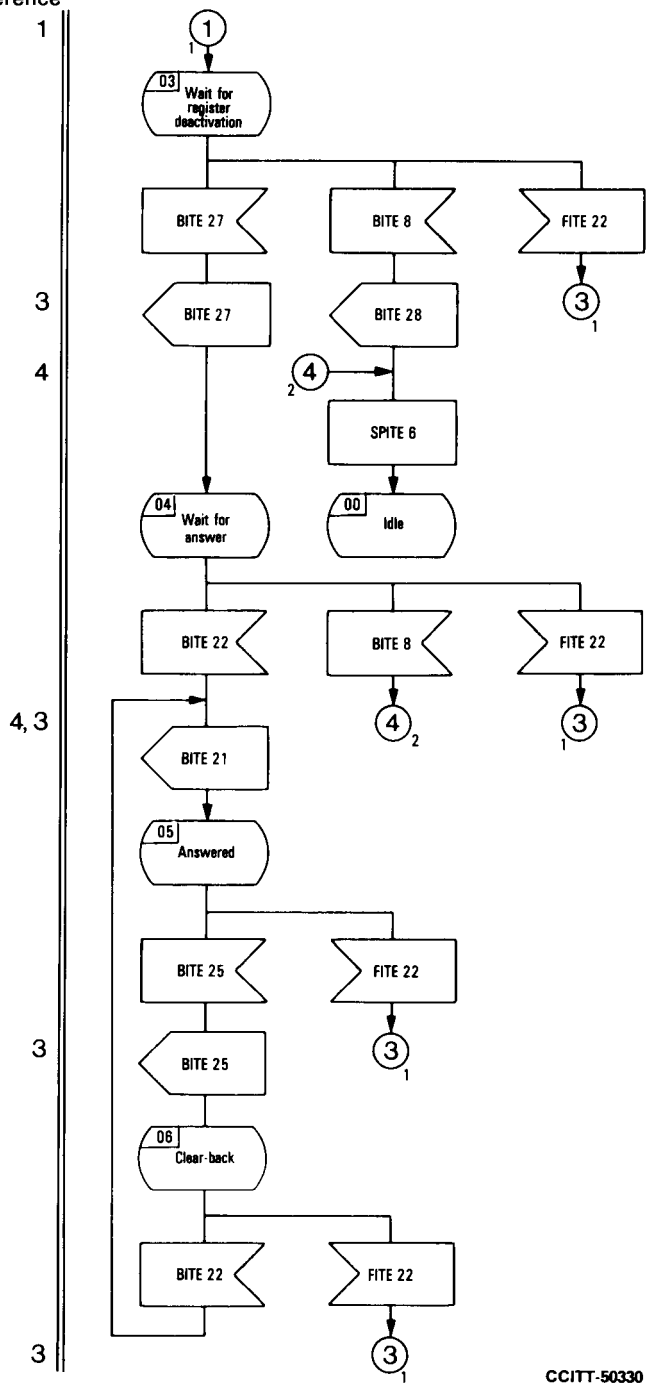
Connector reference



CCITT-50320

FIGURE 3/Q.682 (Sheet 1 of 2)
Interworking of Signalling System R2 to No. 5

Connector reference



CCITT-50330

FIGURE 3/Q.682 (Sheet 2 of 2)
Interworking of Signalling System R2 to No. 5