



INTERNATIONAL TELECOMMUNICATION UNION

**ITU-T**

TELECOMMUNICATION  
STANDARDIZATION SECTOR  
OF ITU

**Q.681**

## **INTERWORKING OF SIGNALLING SYSTEMS**

---

### **LOGIC PROCEDURES FOR INTERWORKING OF SIGNALLING SYSTEM R2 TO No. 4**

**ITU-T Recommendation Q.681**

(Extract from the *Blue Book*)

---

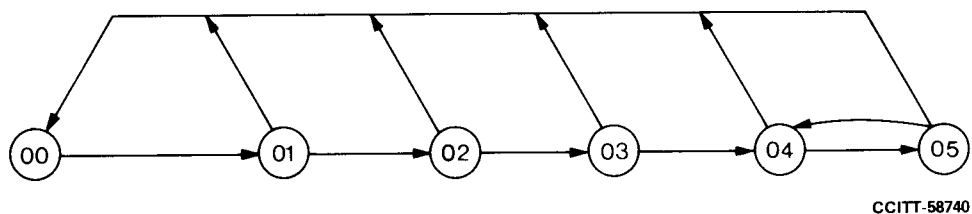
## NOTES

1 ITU-T Recommendation Q.681 was published in Fascicle VI.6 of the *Blue Book*. This file is an extract from the *Blue Book*. While the presentation and layout of the text might be slightly different from the *Blue Book* version, the contents of the file are identical to the *Blue Book* version and copyright conditions remain unchanged (see below).

2 In this Recommendation, the expression “Administration” is used for conciseness to indicate both a telecommunication administration and a recognized operating agency.

**Recommendation Q.681**

**LOGIC PROCEDURES FOR INTERWORKING OF SIGNALLING SYSTEM R2 TO No. 4**

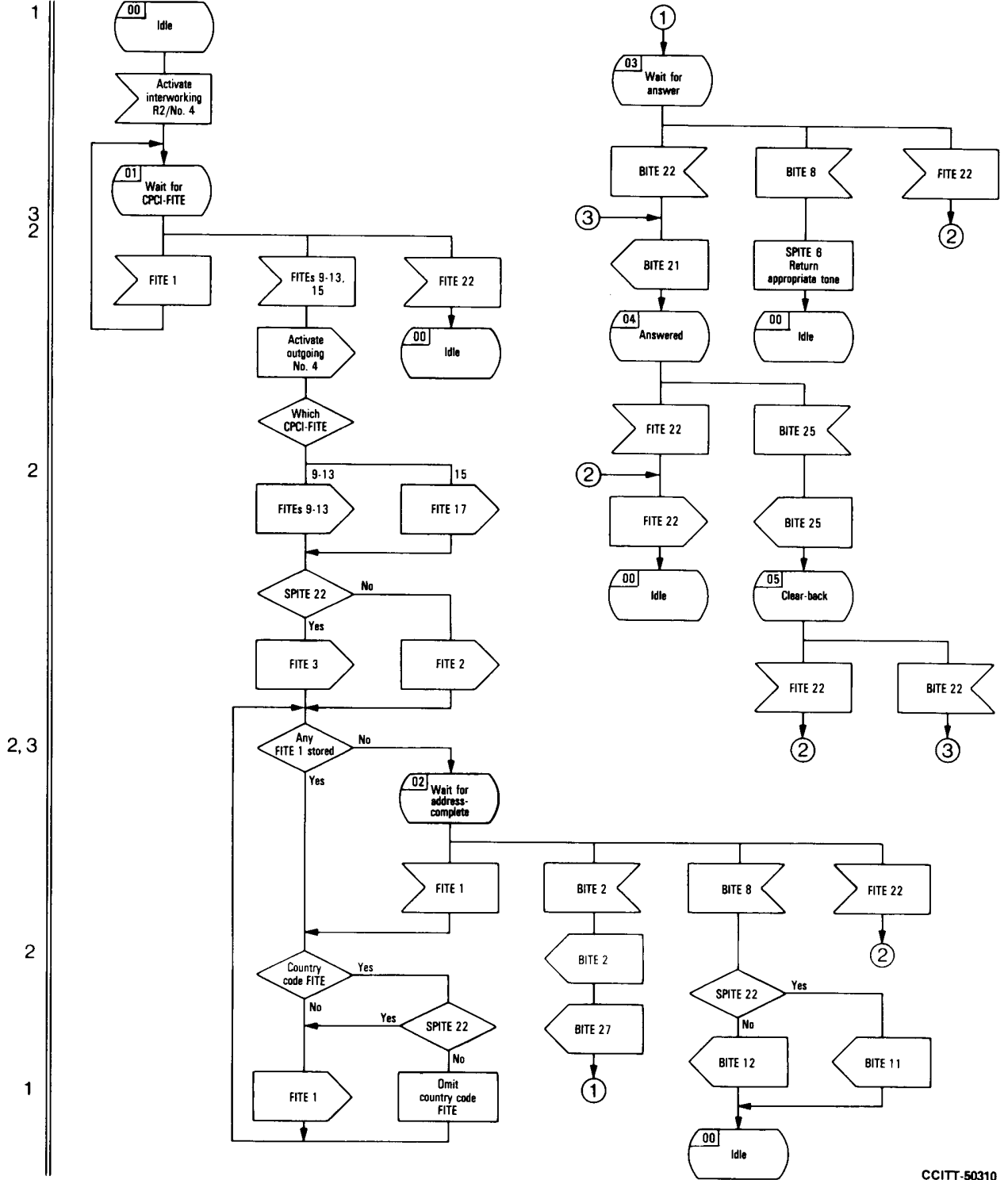


| <i>State number</i> | <i>State description</i>  |
|---------------------|---------------------------|
| 00                  | Idle                      |
| 01                  | Wait for CPCI-FITE        |
| 02                  | Wait for address-complete |
| 03                  | Wait for answer           |
| 04                  | Answered                  |
| 05                  | Clear-back                |

FIGURE 1/Q.681  
State overview diagram for interworking of Signalling System R2 to No. 4

FIGURE 2/Q.681  
(Reserved for future notes)

Connector reference



CCITT-50310

FIGURE 3/Q.681  
Interworking of Signalling System R2 to No. 4