



INTERNATIONAL TELECOMMUNICATION UNION

ITU-T

TELECOMMUNICATION
STANDARDIZATION SECTOR
OF ITU

Q.654

INTERWORKING OF SIGNALLING SYSTEMS

**LOGIC PROCEDURES FOR INTERWORKING
OF SIGNALLING SYSTEM No. 6 TO R1**

ITU-T Recommendation Q.654

(Extract from the *Blue Book*)

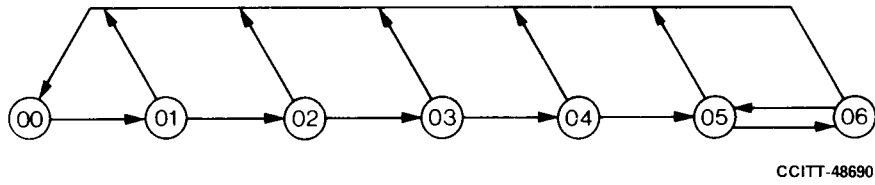
NOTES

1 ITU-T Recommendation Q.654 was published in Fascicle VI.6 of the *Blue Book*. This file is an extract from the *Blue Book*. While the presentation and layout of the text might be slightly different from the *Blue Book* version, the contents of the file are identical to the *Blue Book* version and copyright conditions remain unchanged (see below).

2 In this Recommendation, the expression “Administration” is used for conciseness to indicate both a telecommunication administration and a recognized operating agency.

Recommendation Q.654

LOGIC PROCEDURES FOR INTERWORKING OF SIGNALLING SYSTEM No. 6 TO R1



<i>State number</i>	<i>State description</i>
00	Idle
01	Wait for continuity check
02	Wait for address-complete
03	Wait for register deactivation
04	Wait for answer
05	Answered
06	Clear-back

FIGURE 1/Q.654
State overview diagram for interworking of Signalling System No. 6 to R1

Procedures not shown

Procedure P₁ is not described because no procedure is specified in the Signalling System R1 specifications.

FIGURE 2/Q.654
Notes to interworking of Signalling System No. 6 to R1

Connector reference

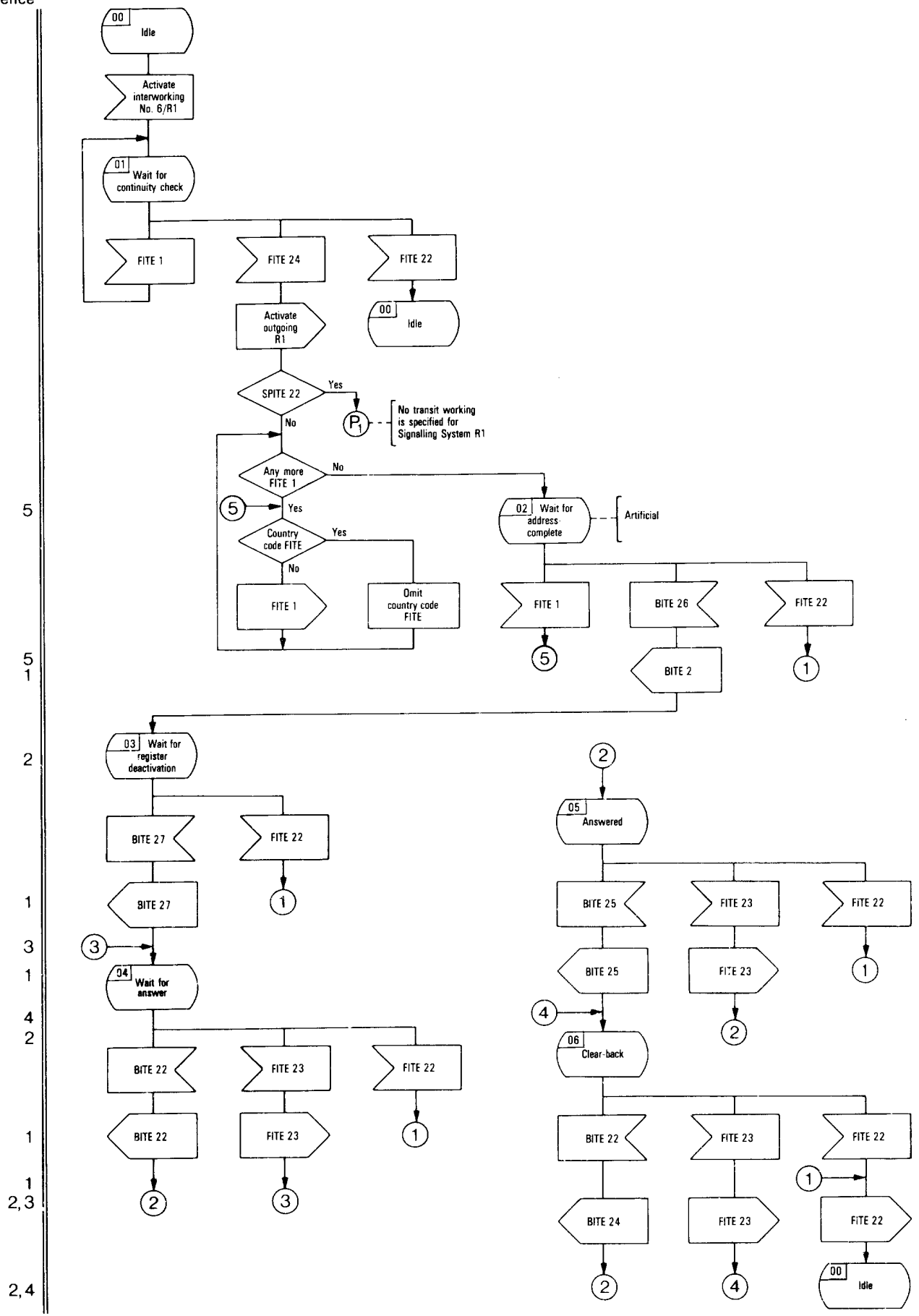


FIGURE 3/Q.654
Interworking of Signalling System No. 6 to R1

CCITT-50210