



INTERNATIONAL TELECOMMUNICATION UNION

ITU-T

TELECOMMUNICATION
STANDARDIZATION SECTOR
OF ITU

Q.653

INTERWORKING OF SIGNALLING SYSTEMS

**LOGIC PROCEDURES FOR INTERWORKING
OF SIGNALLING SYSTEM No. 6 TO No. 7
(TUP)**

ITU-T Recommendation Q.653

(Extract from the *Blue Book*)

NOTES

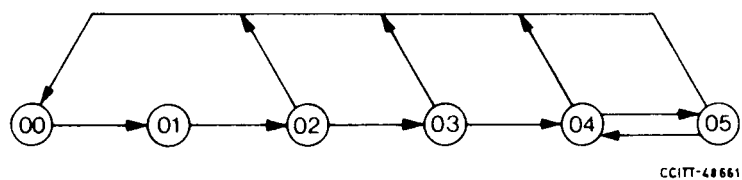
- 1 ITU-T Recommendation Q.653 was published in Fascicle VI.6 of the *Blue Book*. This file is an extract from the *Blue Book*. While the presentation and layout of the text might be slightly different from the *Blue Book* version, the contents of the file are identical to the *Blue Book* version and copyright conditions remain unchanged (see below).
- 2 In this Recommendation, the expression "Administration" is used for conciseness to indicate both a telecommunication administration and a recognized operating agency.

© ITU 1988, 1993

All rights reserved. No part of this publication may be reproduced or utilized in any form or by any means, electronic or mechanical, including photocopying and microfilm, without permission in writing from the ITU.

Recommendation Q.653

LOGIC PROCEDURES FOR INTERWORKING OF SIGNALLING SYSTEM No. 6 TO No. 7 (TUP)



<i>State number</i>	<i>State description</i>	<i>Sheet number</i>
00	Idle	1, 2, 3
01	Wait for CPCI-FITE	1
02	Wait for address-complete	2
03	Wait for answer	2
04	Answered	3
05	Clear-back	3

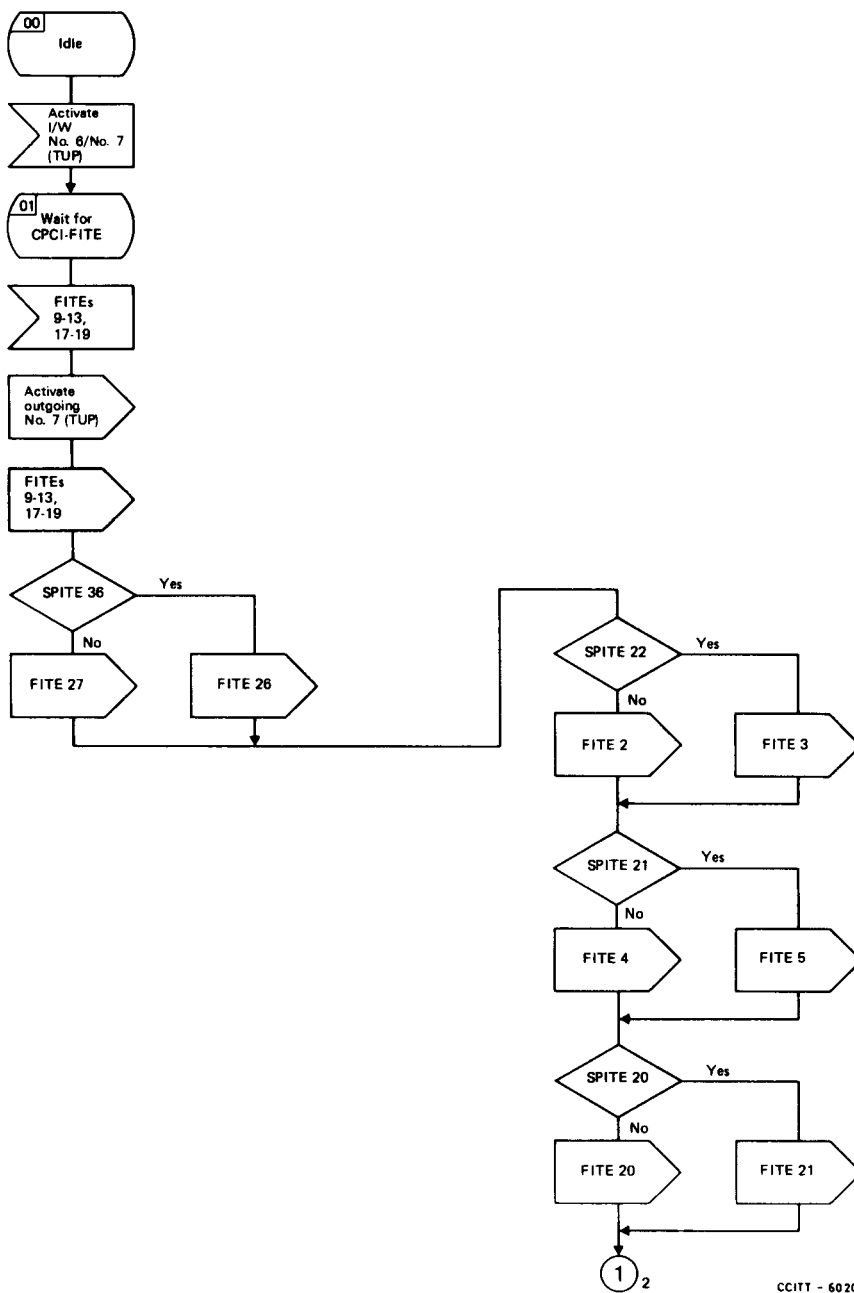
FIGURE 1/Q.653

State overview diagram for interworking of Signalling System No. 6 to No. 7 (TUP)

FIGURE 2/Q.653

(Reserved for future notes)

Connector reference

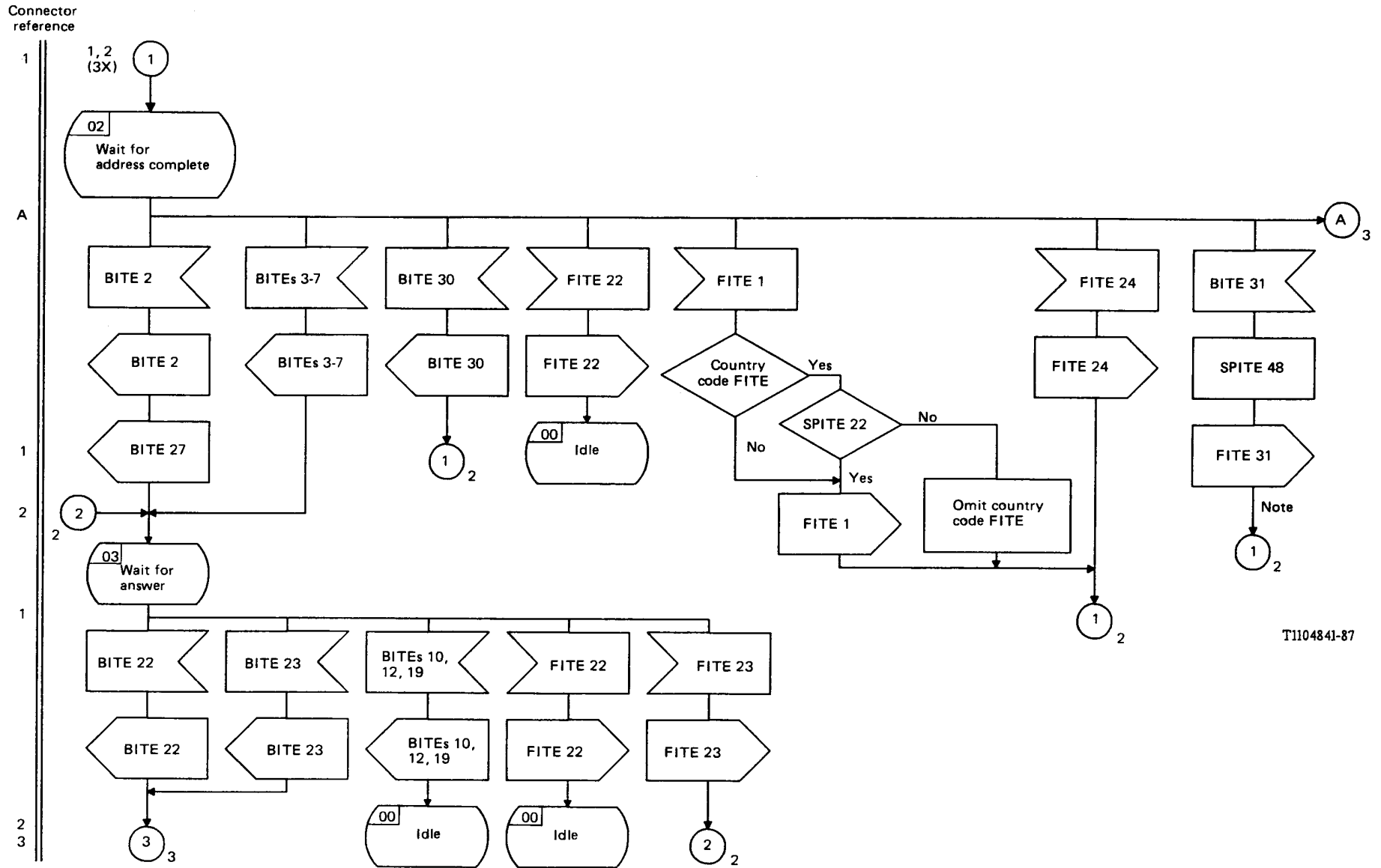


1

CCITT - 6020

FIGURE 3/Q.653 (Sheet 1 of 3)

Interworking of Signalling System No. 6 to No. 7 (TUP)



T1104841-87

Note - This FITE 31 is to be translated as appropriate (e.g. Calling Party Category).

FIGURE 3/Q.653 (Sheet 2 of 3)
 Interworking of Signalling System No. 6 to No. 7 (TUP)

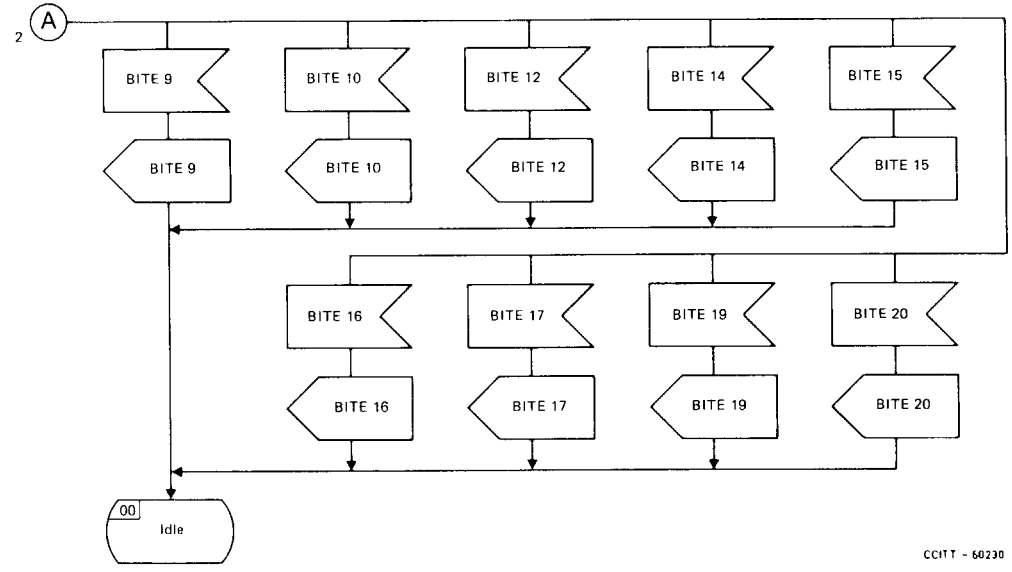
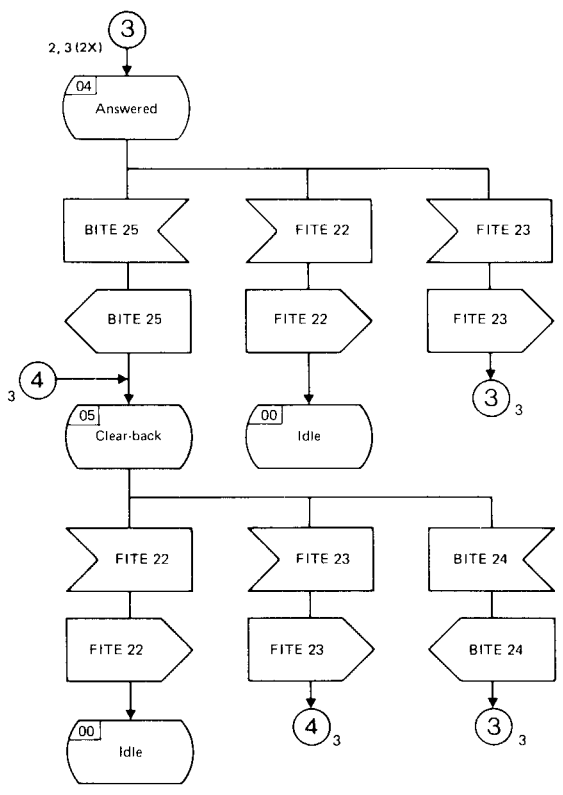
Connector
reference

3

4
3

A

4, 3



CCITT - 60230

FIGURE 3/Q.653 (Sheet 3 of 3)

Interworking of Signalling System No. 6 to No. 7 (TUP)