



INTERNATIONAL TELECOMMUNICATION UNION

ITU-T

TELECOMMUNICATION
STANDARDIZATION SECTOR
OF ITU

Q.652

INTERWORKING OF SIGNALLING SYSTEMS

**LOGIC PROCEDURES FOR INTERWORKING
OF SIGNALLING SYSTEM No. 6 TO No. 5**

ITU-T Recommendation Q.652

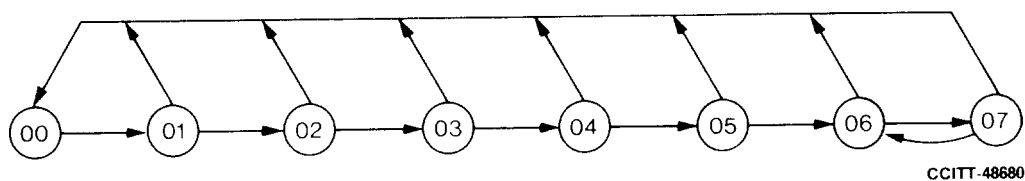
(Extract from the *Blue Book*)

NOTES

- 1 ITU-T Recommendation Q.652 was published in Fascicle VI.6 of the *Blue Book*. This file is an extract from the *Blue Book*. While the presentation and layout of the text might be slightly different from the *Blue Book* version, the contents of the file are identical to the *Blue Book* version and copyright conditions remain unchanged (see below).
- 2 In this Recommendation, the expression “Administration” is used for conciseness to indicate both a telecommunication administration and a recognized operating agency.

Recommendation Q.652

LOGIC PROCEDURES FOR INTERWORKING OF SIGNALLING SYSTEM No. 6 TO No. 5



<i>State number</i>	<i>State description</i>	<i>Sheet reference</i>
00	Idle	1, 2
01	Wait for CPCI-FITE	1
02	Wait for COT	1
03	Wait for address-complete	1
04	Wait for register deactivation	2
05	Wait for answer	2
06	Answered	2
07	Clear-back	2

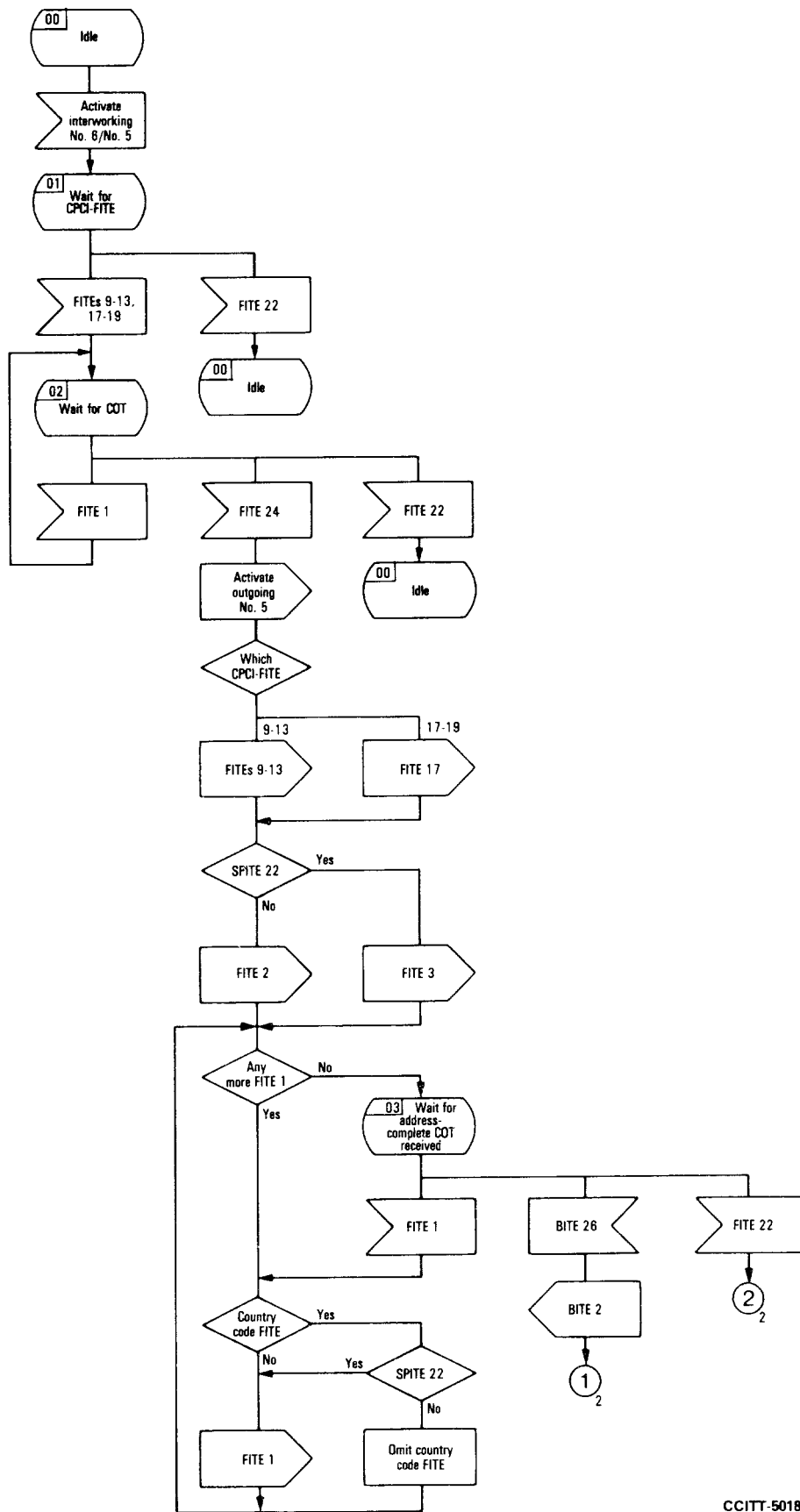
FIGURE 1/Q.652

State overview diagram for interworking of Signalling System No. 6 to No. 5

FIGURE 2/Q.652

(Reserved for future notes)

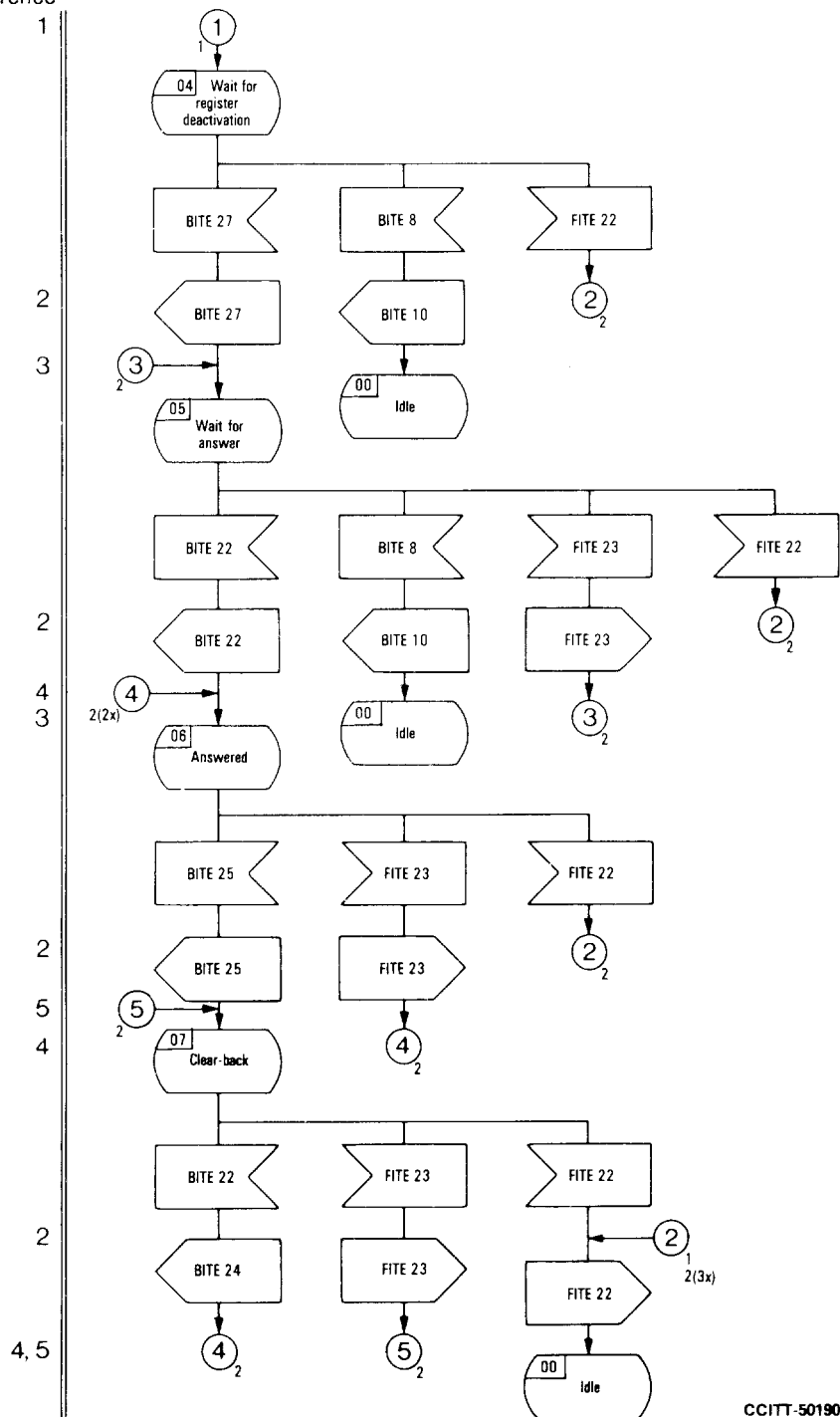
Connector reference



CCITT-50180

FIGURE 3/Q.652 (Sheet 1 of 2)
Interworking of Signalling System No. 6 to No. 5

Connector reference



CCITT-50190

FIGURE 3/Q.652 (Sheet 2 of 2)
Interworking of Signalling System No. 6 to No. 5