



INTERNATIONAL TELECOMMUNICATION UNION

ITU-T

TELECOMMUNICATION
STANDARDIZATION SECTOR
OF ITU

Q.645

INTERWORKING OF SIGNALLING SYSTEMS

**LOGIC PROCEDURES FOR INTERWORKING
OF SIGNALLING SYSTEM No. 5 TO R2**

ITU-T Recommendation Q.645

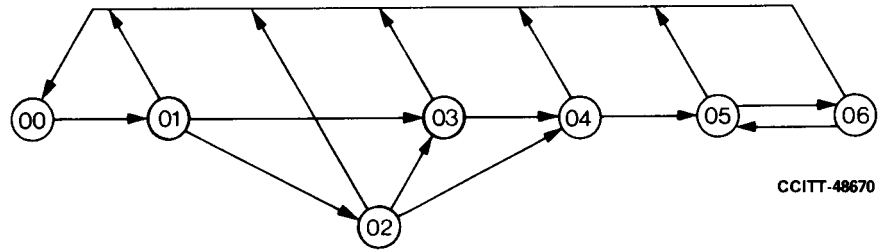
(Extract from the *Blue Book*)

NOTES

- 1 ITU-T Recommendation Q.645 was published in Fascicle VI.6 of the *Blue Book*. This file is an extract from the *Blue Book*. While the presentation and layout of the text might be slightly different from the *Blue Book* version, the contents of the file are identical to the *Blue Book* version and copyright conditions remain unchanged (see below).
- 2 In this Recommendation, the expression “Administration” is used for conciseness to indicate both a telecommunication administration and a recognized operating agency.

Recommendation Q.645

LOGIC PROCEDURES FOR INTERWORKING OF SIGNALLING SYSTEM No. 5 TO R2

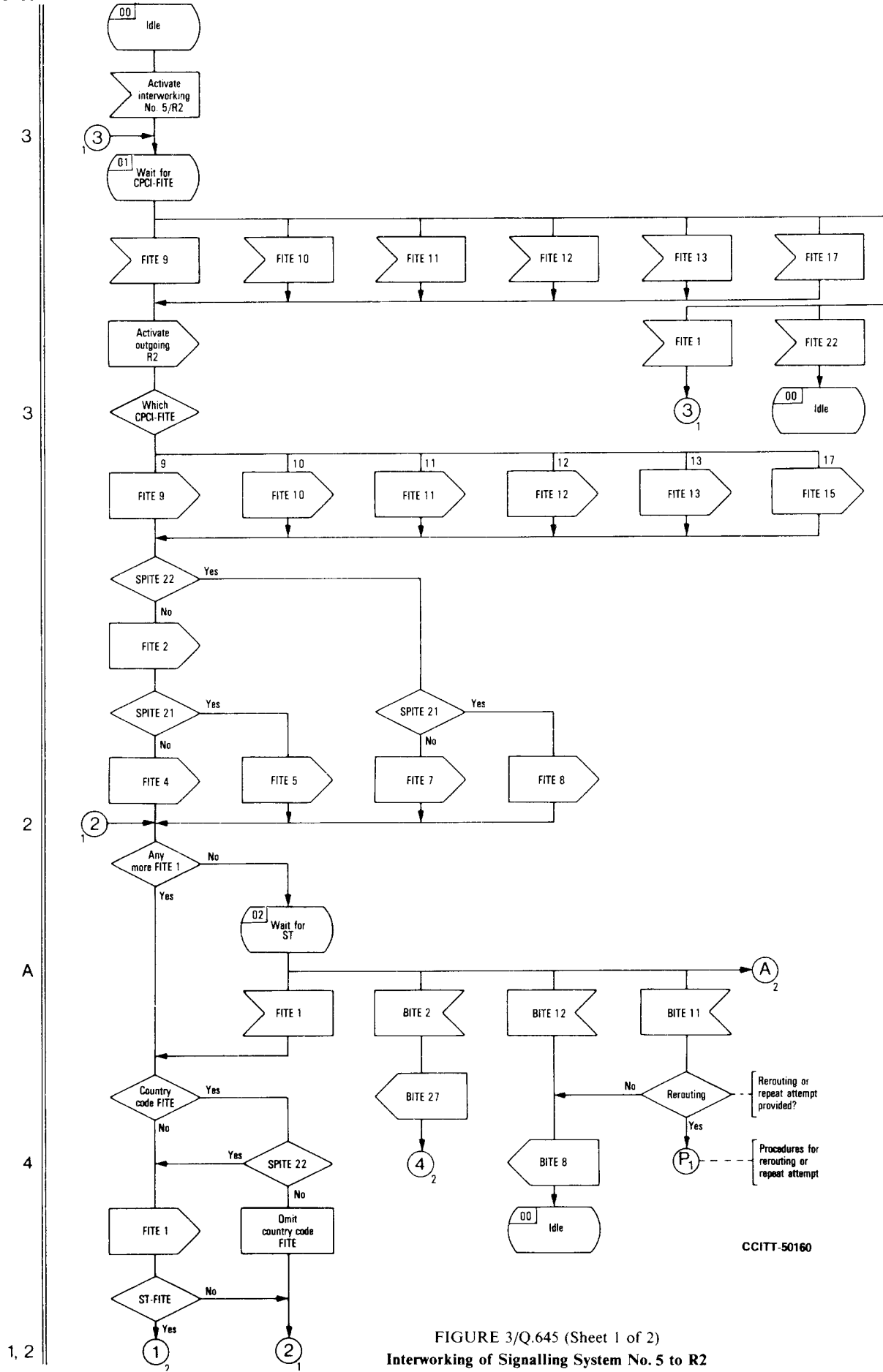


<i>State number</i>	<i>State description</i>	<i>Sheet reference</i>
00	Idle	1, 2
01	Wait for calling party's category (CPCI)	1
02	Wait for ST	1
03	Wait for address-complete	2
04	Wait for answer	2
05	Answered	2
06	Clear-back	2

FIGURE 1/Q.645
State overview diagram for interworking of Signalling System No. 5 to R2

FIGURE 2/Q.645

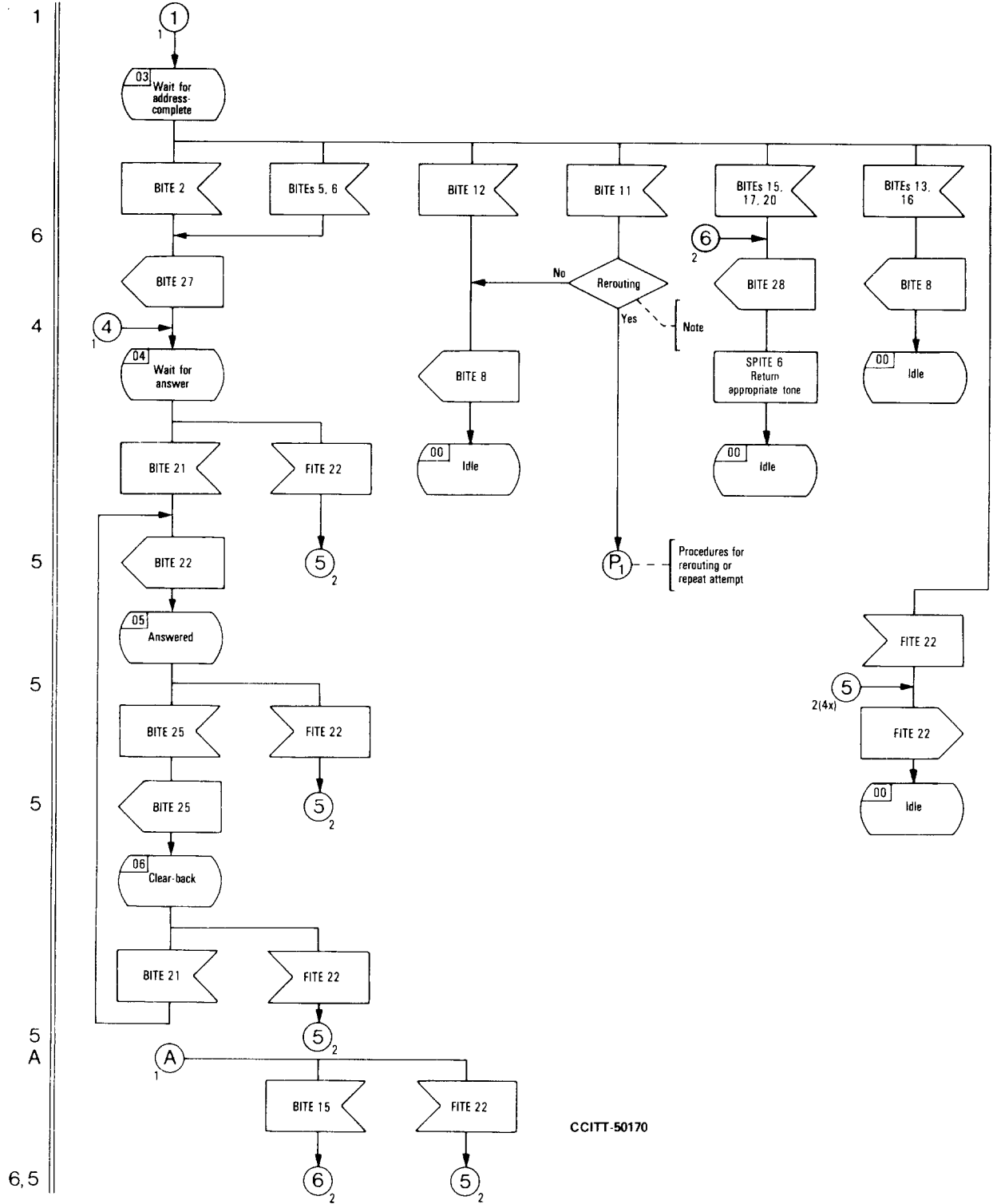
(Reserved for future notes)



CCITT-50160

FIGURE 3/Q.645 (Sheet 1 of 2)
Interworking of Signalling System No. 5 to R2

Connector
reference



Note — Rerouting of repeat attempt provided ?

FIGURE 3/Q.645 (Sheet 2 of 2)
Interworking of Signalling System No. 5 to R2