



INTERNATIONAL TELECOMMUNICATION UNION

ITU-T

TELECOMMUNICATION
STANDARDIZATION SECTOR
OF ITU

Q.644

INTERWORKING OF SIGNALLING SYSTEMS

**LOGIC PROCEDURES FOR INTERWORKING
OF SIGNALLING SYSTEM No. 5 TO R1**

ITU-T Recommendation Q.644

(Extract from the *Blue Book*)

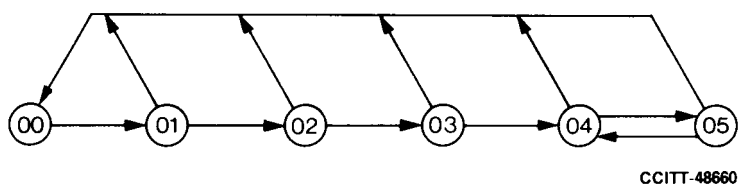
NOTES

1 ITU-T Recommendation Q.644 was published in Fascicle VI.6 of the *Blue Book*. This file is an extract from the *Blue Book*. While the presentation and layout of the text might be slightly different from the *Blue Book* version, the contents of the file are identical to the *Blue Book* version and copyright conditions remain unchanged (see below).

2 In this Recommendation, the expression “Administration” is used for conciseness to indicate both a telecommunication administration and a recognized operating agency.

Recommendation Q.644

LOGIC PROCEDURES FOR INTERWORKING OF SIGNALLING SYSTEM No. 5 TO R1



| <i>State number</i> | <i>State description</i> |
|---------------------|--------------------------------|
| 00 | Idle |
| 01 | Wait for ST |
| 02 | Wait for register deactivation |
| 03 | Wait for answer |
| 04 | Answered |
| 05 | Clear-back |

FIGURE 1/Q.644
State overview diagram for interworking of Signalling System No. 5 to R1

Procedures not shown

Procedure P₁ is not described because the procedure has not been specified in the Signalling System R1 specifications.

FIGURE 2/Q.644
Notes to interworking of Signalling System No. 5 to R1

Connector reference

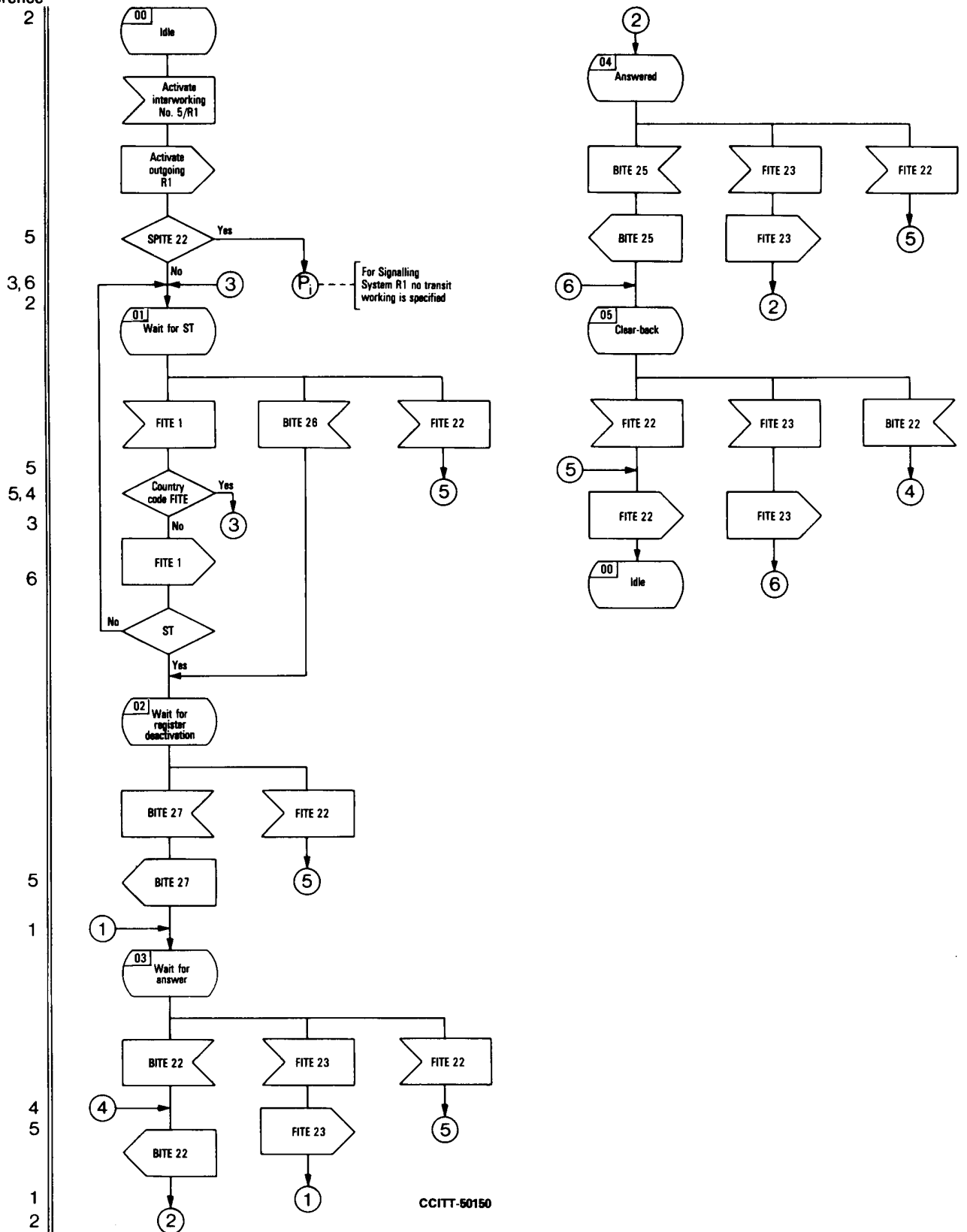


FIGURE 3/Q.644
Interworking of Signalling System No. 5 to R1