



INTERNATIONAL TELECOMMUNICATION UNION

ITU-T

TELECOMMUNICATION
STANDARDIZATION SECTOR
OF ITU

Q.626

INTERWORKING OF SIGNALLING SYSTEMS

**LOGIC PROCEDURES FOR OUTGOING
SIGNALLING SYSTEM R2**

ITU-T Recommendation Q.626

(Extract from the *Blue Book*)

NOTES

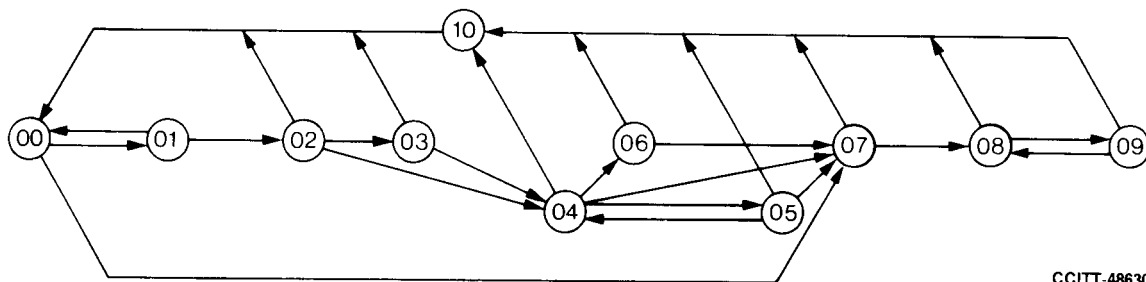
- 1 ITU-T Recommendation Q.626 was published in Fascicle VI.6 of the *Blue Book*. This file is an extract from the *Blue Book*. While the presentation and layout of the text might be slightly different from the *Blue Book* version, the contents of the file are identical to the *Blue Book* version and copyright conditions remain unchanged (see below).
- 2 In this Recommendation, the expression "Administration" is used for conciseness to indicate both a telecommunication administration and a recognized operating agency.

© ITU 1988, 1993

All rights reserved. No part of this publication may be reproduced or utilized in any form or by any means, electronic or mechanical, including photocopying and microfilm, without permission in writing from the ITU.

Recommendation Q.626

LOGIC PROCEDURES FOR OUTGOING SIGNALLING SYSTEM R2



CCITT-48630

| State number | State description | Sheet reference | Timers running |
|--------------|--|-----------------|----------------|
| 00 | Idle | 1, 4 | |
| 01 | Wait for calling party's category (CPCI) | 1 | |
| 02 | Wait for country code indicator (CCI) | 1 | |
| 03 | Wait for echo suppressor indicator (ECI) | 1 | |
| 04 | Wait for backward signal | 2 | t ₁ |
| 05 | Wait for address information | 3 | t ₂ |
| 06 | Wait for Type B signal | 3 | t ₁ |
| 07 | Wait for answer | 4 | |
| 08 | Answered | 4 | |
| 09 | Clear-back | 4 | |
| 10 | Clear-forward | 4 | |

FIGURE 1/Q.626
State overview diagram for outgoing Signalling System R2

Supervisory timers for outgoing Signalling System R2

t₁ = 12-18 s Recommendation Q.476, § 5.5.1.1

t₂ > 24 s Recommendation Q.476, § 5.5.1.2

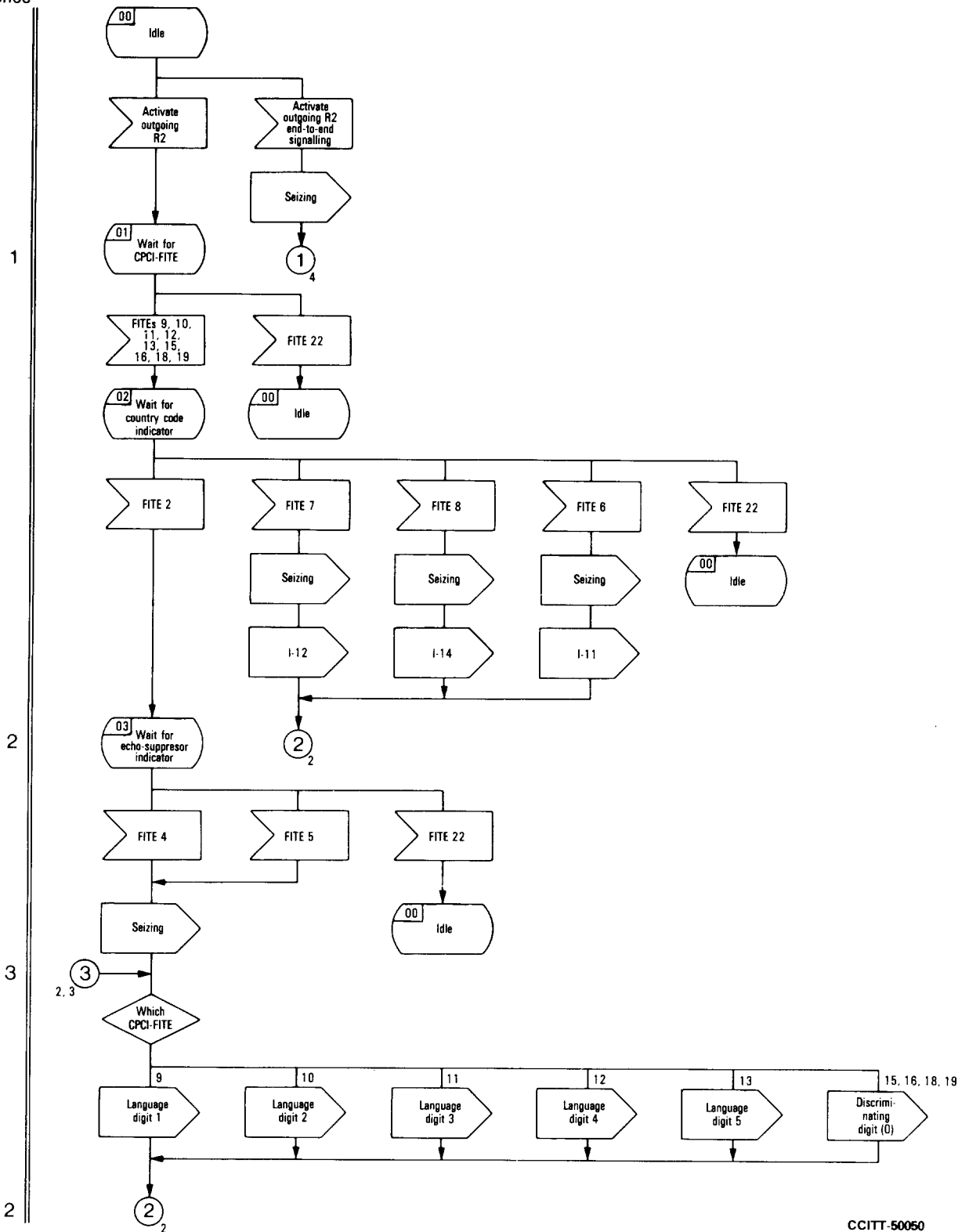
Procedures not shown

The following procedures, not directly relevant to interworking, are not shown in the logic procedures:

- Interrupt control procedures (analogue version).
- Seizing acknowledgement (digital version).
- Transmission fault procedures (digital version).
- T₁ time-out and abnormal release sequence (analogue version).
- Optional forward transfer.
- Blocking and unblocking sequences.

FIGURE 2/Q.626
Notes to outgoing Signalling System R2

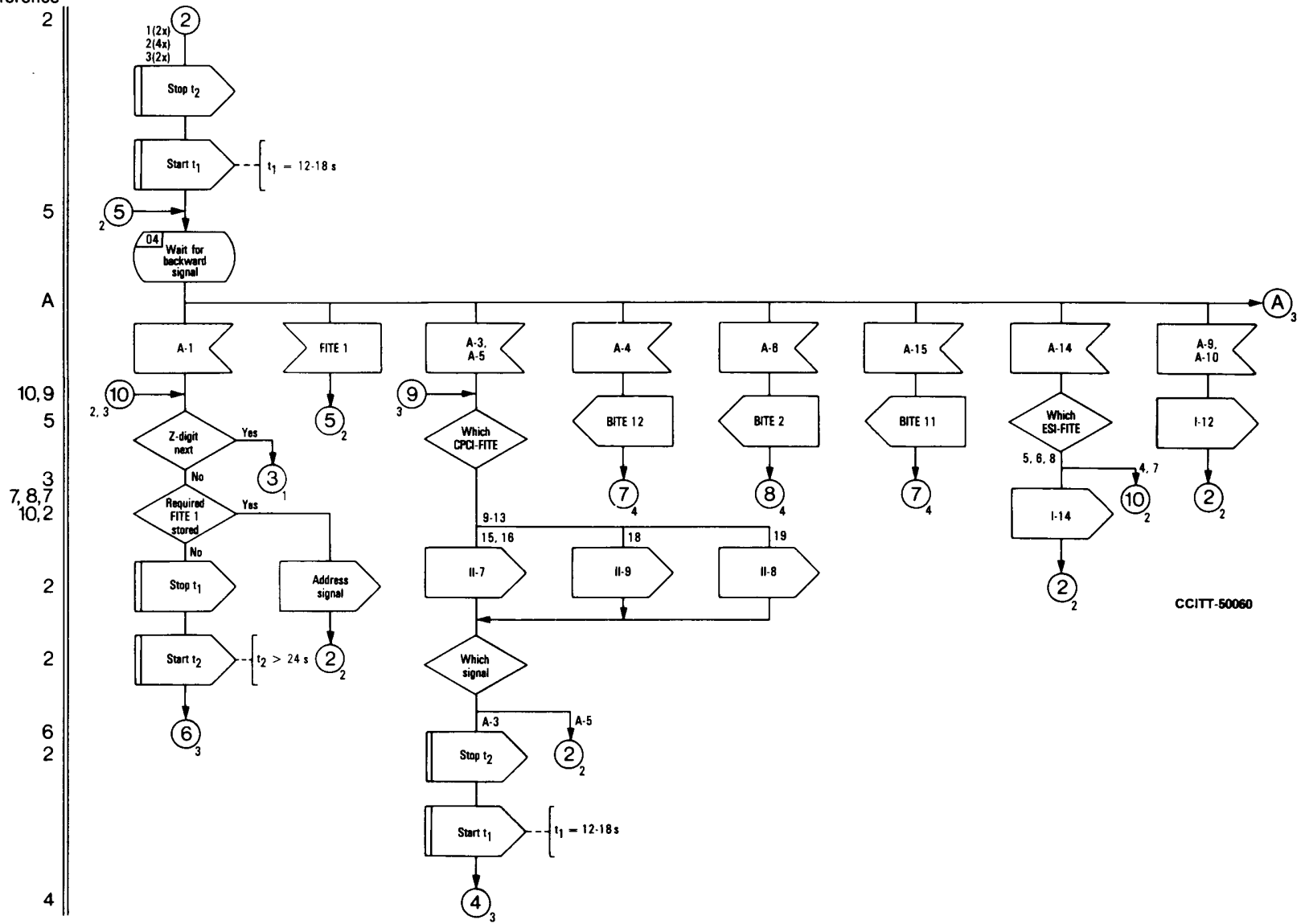
Connector reference



CCITT-50050

FIGURE 3/Q.626 (Sheet 1 of 4)
Outgoing Signalling System R2

Connector reference



CCITT-50060

FIGURE 3/Q.626 (Sheet 2 of 4)
Outgoing Signalling System R2

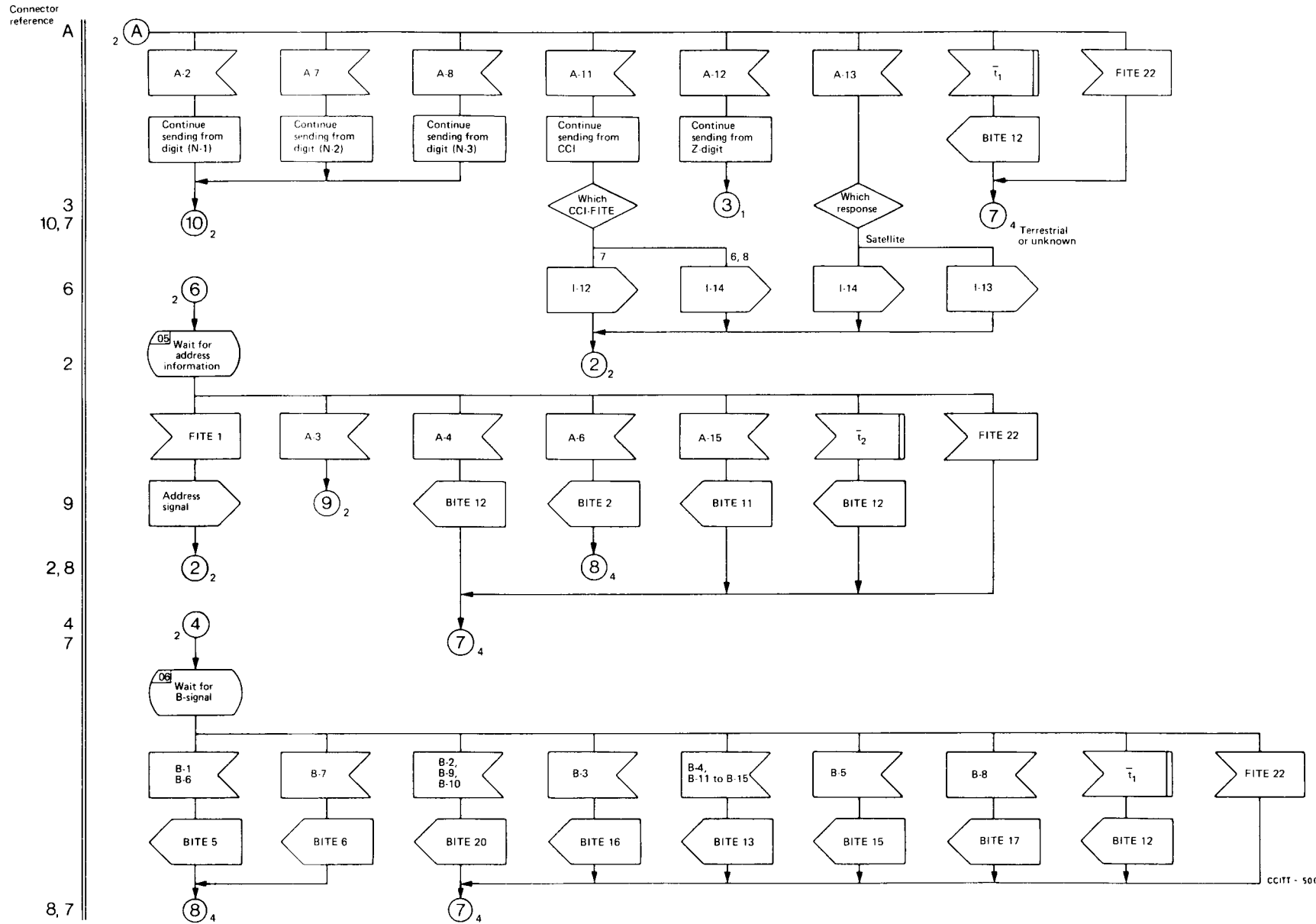
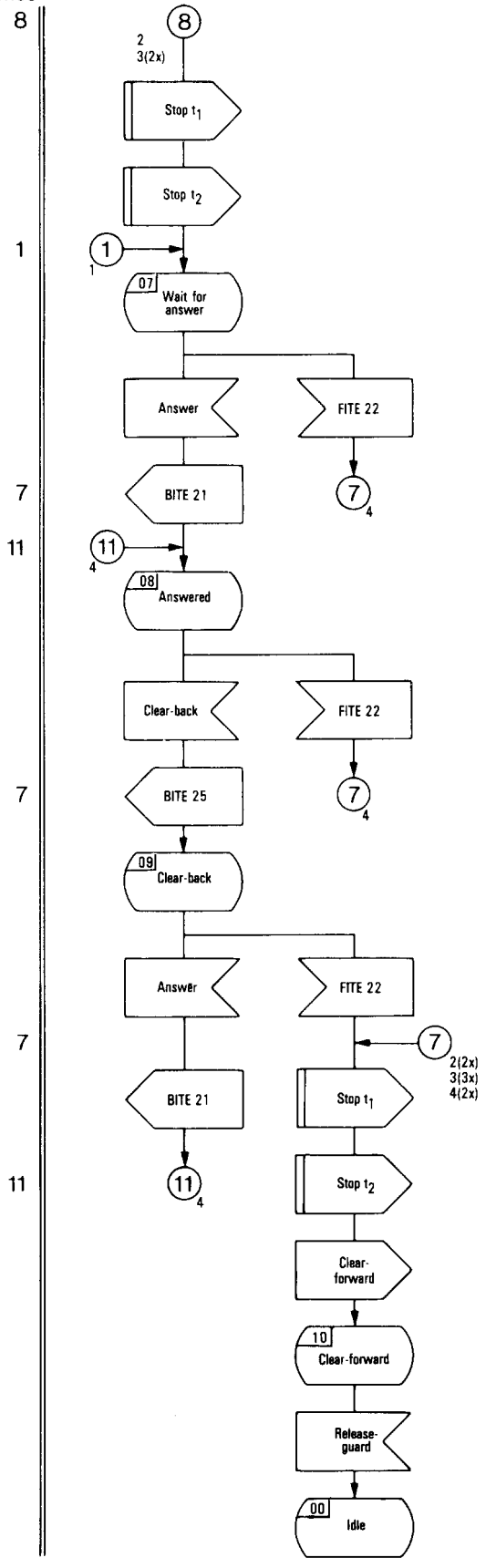


FIGURE 3/Q.626 (Sheet 3 of 4)

Outgoing Signalling System R2

Connector reference



CCITT-50080

FIGURE 3/Q.626 (Sheet 4 of 4)
Outgoing Signalling System R2