



INTERNATIONAL TELECOMMUNICATION UNION

ITU-T

TELECOMMUNICATION
STANDARDIZATION SECTOR
OF ITU

Q.622

INTERWORKING OF SIGNALLING SYSTEMS

**LOGIC PROCEDURES FOR OUTGOING
SIGNALLING SYSTEM No. 5**

ITU-T Recommendation Q.622

(Extract from the *Blue Book*)

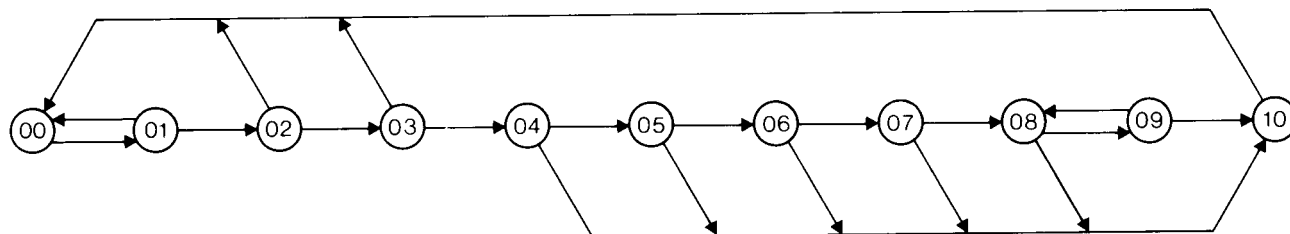
NOTES

1 ITU-T Recommendation Q.622 was published in Fascicle VI.6 of the *Blue Book*. This file is an extract from the *Blue Book*. While the presentation and layout of the text might be slightly different from the *Blue Book* version, the contents of the file are identical to the *Blue Book* version and copyright conditions remain unchanged (see below).

2 In this Recommendation, the expression “Administration” is used for conciseness to indicate both a telecommunication administration and a recognized operating agency.

Recommendation Q.622

LOGIC PROCEDURES FOR OUTGOING SIGNALLING SYSTEM No. 5



CCITT-48600

State number	State description	Sheet reference	Timers running
00	Idle	1	
01	Wait for calling party's category (CPCI)	1	
02	Wait for country code indicator (CCI)	1	
03	Wait for ST	1	t ₁
04	Wait for proceed-to-send	1	t ₂
05	Wait for time release t ₃	2	t ₃
06	Wait for time release t ₄	2	t ₄
07	Wait for answer	3	
08	Answered	3	
09	Clear-back	3	
10	Wait for release-guard	3	t ₂

FIGURE 1/Q.622
State overview diagram for outgoing Signalling System No. 5

Supervisory timers for outgoing Signalling System No. 5

- t₁ = 4-6 s Recommendation Q.152, § 3.2.1, b)
- t₂ = 10-20 s Recommendation Q.141, § 2.1.3.1, e), i)
- t₃ = (100 ± 10) + (55 ± 5) ms Recommendation Q.153, § 3.3.3
- t₄ = 2 (55 ± 5) ms Recommendation Q.153, § 3.3.3

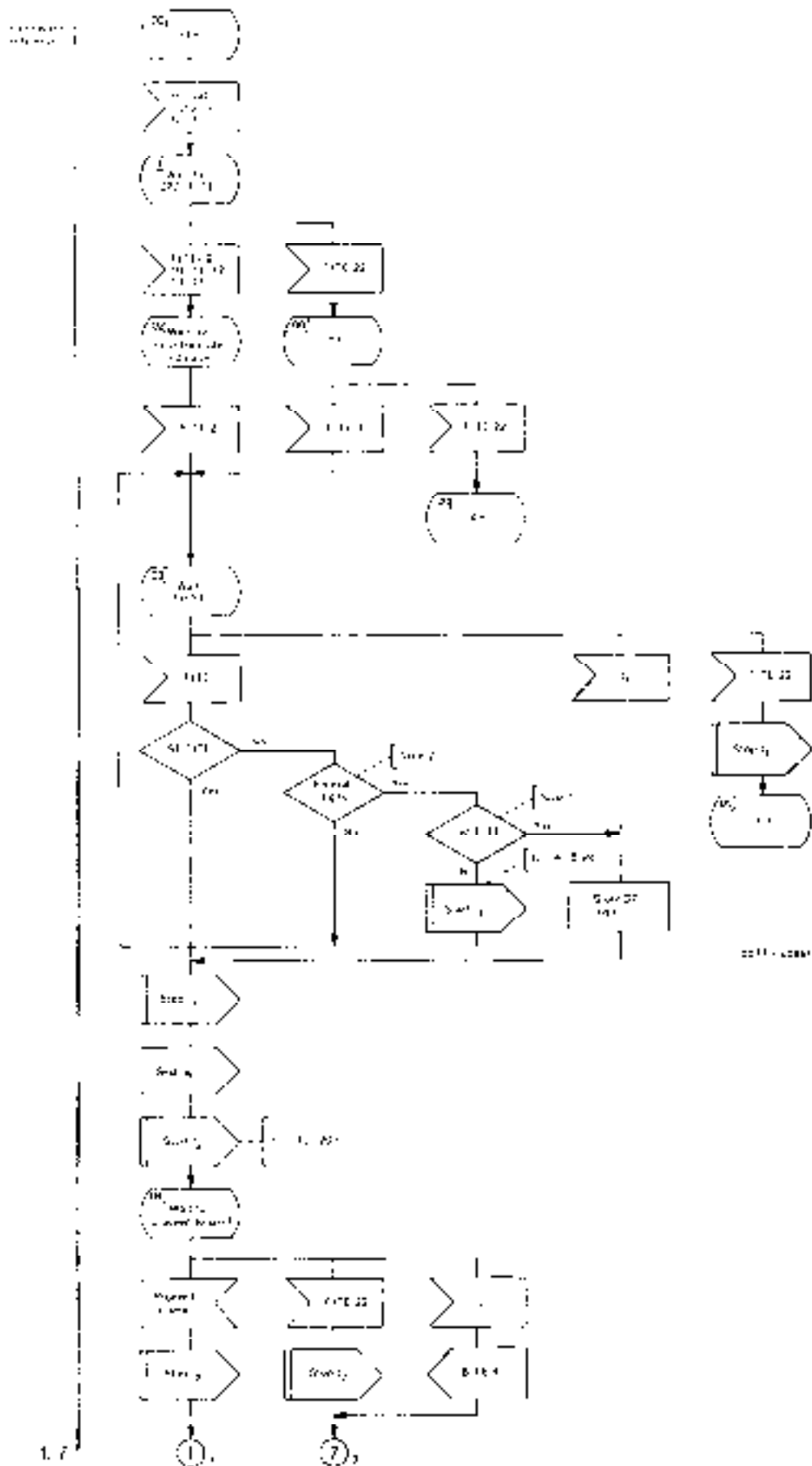
Procedure not shown

The following procedure, not directly relevant to interworking, is not shown in the logic procedures:

P₁ = Procedure for non-receipt of release-guard (Recommendation Q.141, § 2.1.3.1, e), i)).

FIGURE 2/Q.622

Notes to outgoing Signalling System No. 5

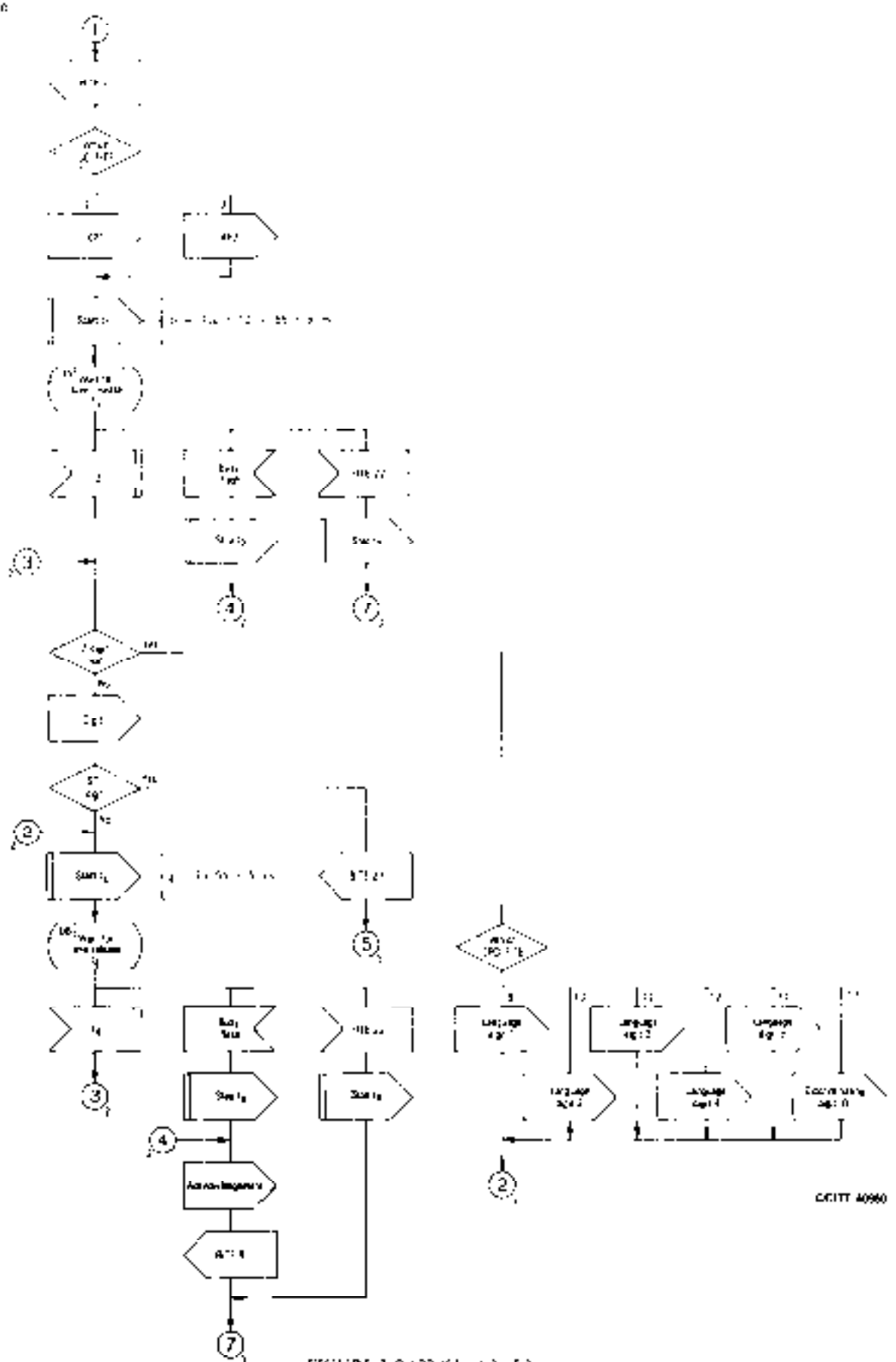


- Note 1 - Fixed or maximum number length reached?
- Note 2 - Has the minimum number of digits been received?

FIGURE 1: Q.622 (Sheet 1 of 2)
Outgoing Signaling System No.5

Connector reference

1
3
4 7
2
5
3
4
2
7



CCITT 40960

FIGURE 3, Q.622 (Sheet 2 of 3)
Outgoing Signalling System No. 5

Continuation
reference

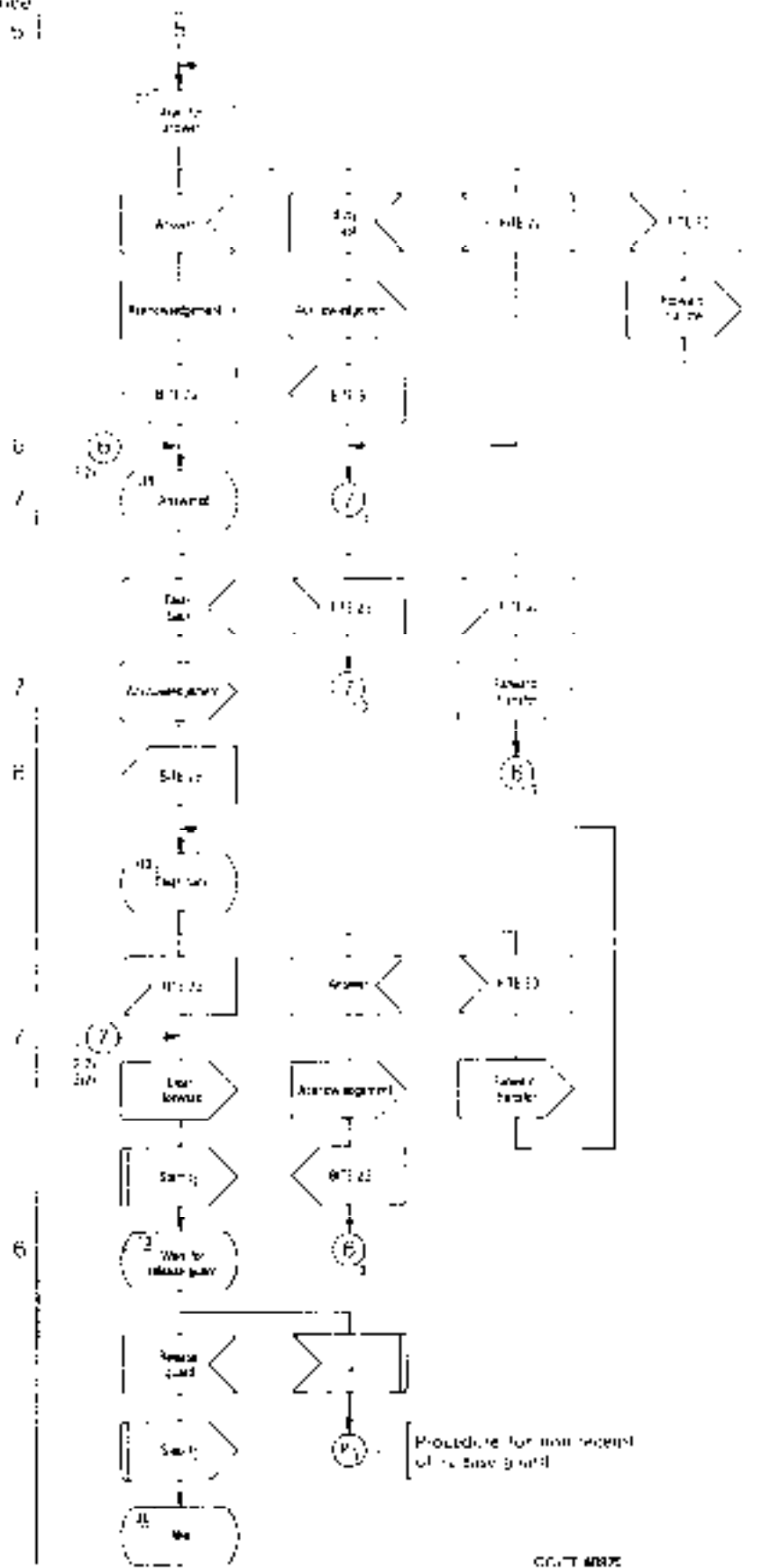


Figure 3oQ.622 (Sheet 1 of 3)
Outgoing Signalling System No. 5