



INTERNATIONAL TELECOMMUNICATION UNION

ITU-T

TELECOMMUNICATION
STANDARDIZATION SECTOR
OF ITU

Q.621

INTERWORKING OF SIGNALLING SYSTEMS

**LOGIC PROCEDURES FOR OUTGOING
SIGNALLING SYSTEM No. 4**

ITU-T Recommendation Q.621

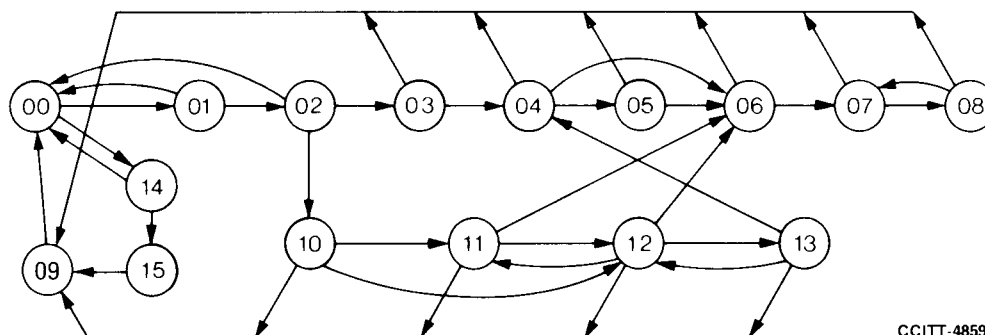
(Extract from the *Blue Book*)

NOTES

1 ITU-T Recommendation Q.621 was published in Fascicle VI.6 of the *Blue Book*. This file is an extract from the *Blue Book*. While the presentation and layout of the text might be slightly different from the *Blue Book* version, the contents of the file are identical to the *Blue Book* version and copyright conditions remain unchanged (see below).

2 In this Recommendation, the expression “Administration” is used for conciseness to indicate both a telecommunication administration and a recognized operating agency.

LOGIC PROCEDURES FOR OUTGOING SIGNALLING SYSTEM No. 4



State number	State description	Sheet reference	Timers running
00	Idle	1, 2	
01	Wait for C PCI-FITE	1	
02	Wait for FITE 2 or 3	1	
03	Wait for terminal proceed-to-send	1	t ₁
04	Wait for acknowledgement	1	t ₂
05	Wait for number-received	2	t ₃
06	Wait for answer	2	
07	Answered	2	
08	Clear-back	2	
09	Wait for release-guard	2	t ₄
10	Wait for proceed-to-send	3	t ₁
11	Wait for number-received	3	t ₃
12	Wait for acknowledgement signal	3	t ₂
13	Wait for proceed-to-send	4	t ₃
14	Wait for FITE 2 or 3 (end-to-end)	1	
15	Wait for clear-forward	1	

FIGURE 1/Q.621
State overview diagram for outgoing Signalling System No. 4

Supervisory timers

- t₁ = 10 - 30 s Recommendation Q.127, § 4.4.1 (2), c)
- t₂ = 5 - 10 s Recommendation Q.127, § 4.4.1 (2), d)
- t₃ = 15 - 30 s Recommendation Q.127, § 4.4.1 (2), a)
- t₄ = 5 - 10 s Recommendation Q.130, § 4.7.1

Procedure not shown

The following procedure, not directly relevant to interworking, is not shown in the logic procedures:
P₁ = Procedure for time-out due to non-receipt of release guard (see Recommendation Q.130, § 4.7.1).

FIGURE 2/Q.621
Notes to outgoing Signalling System No. 4

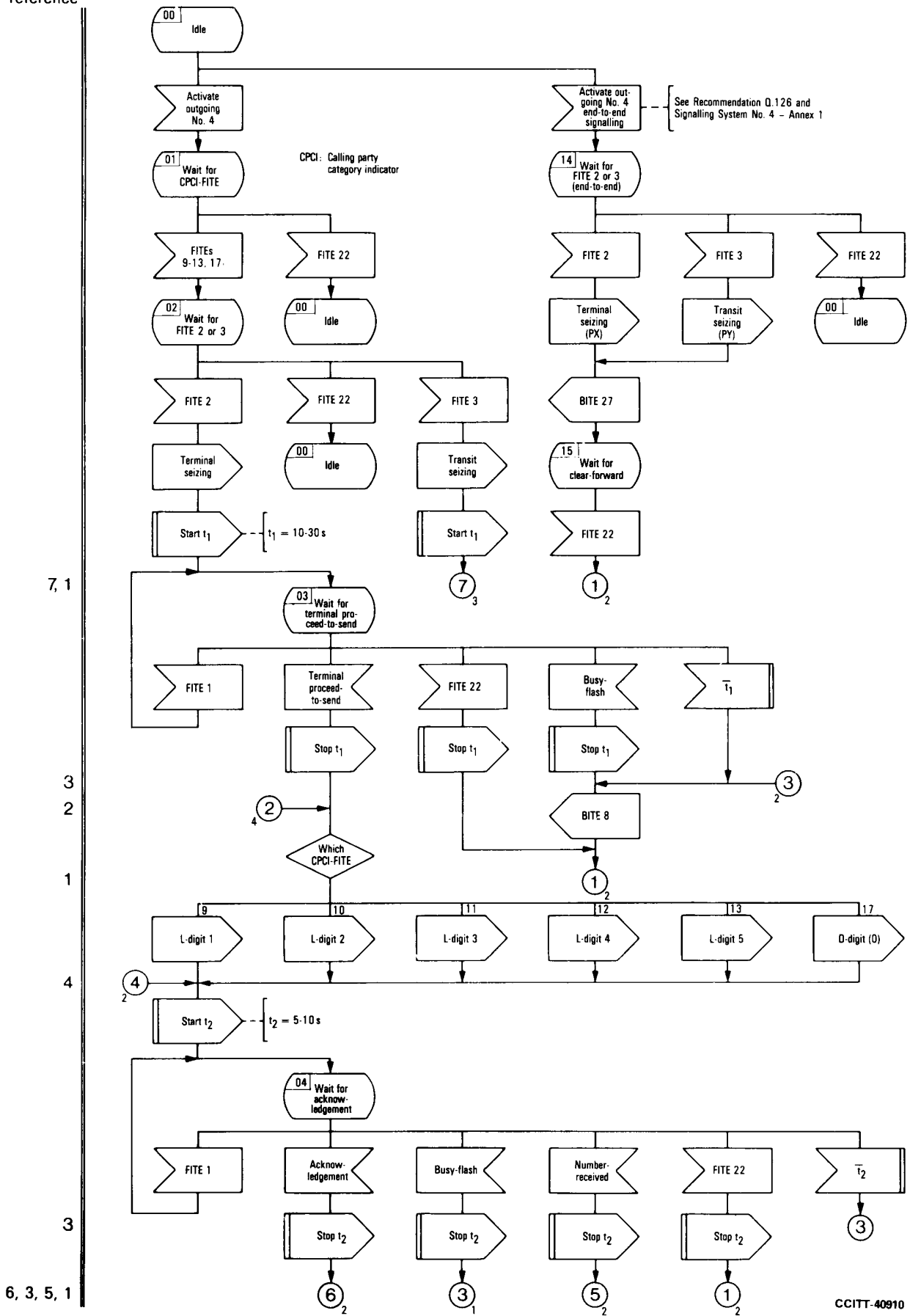
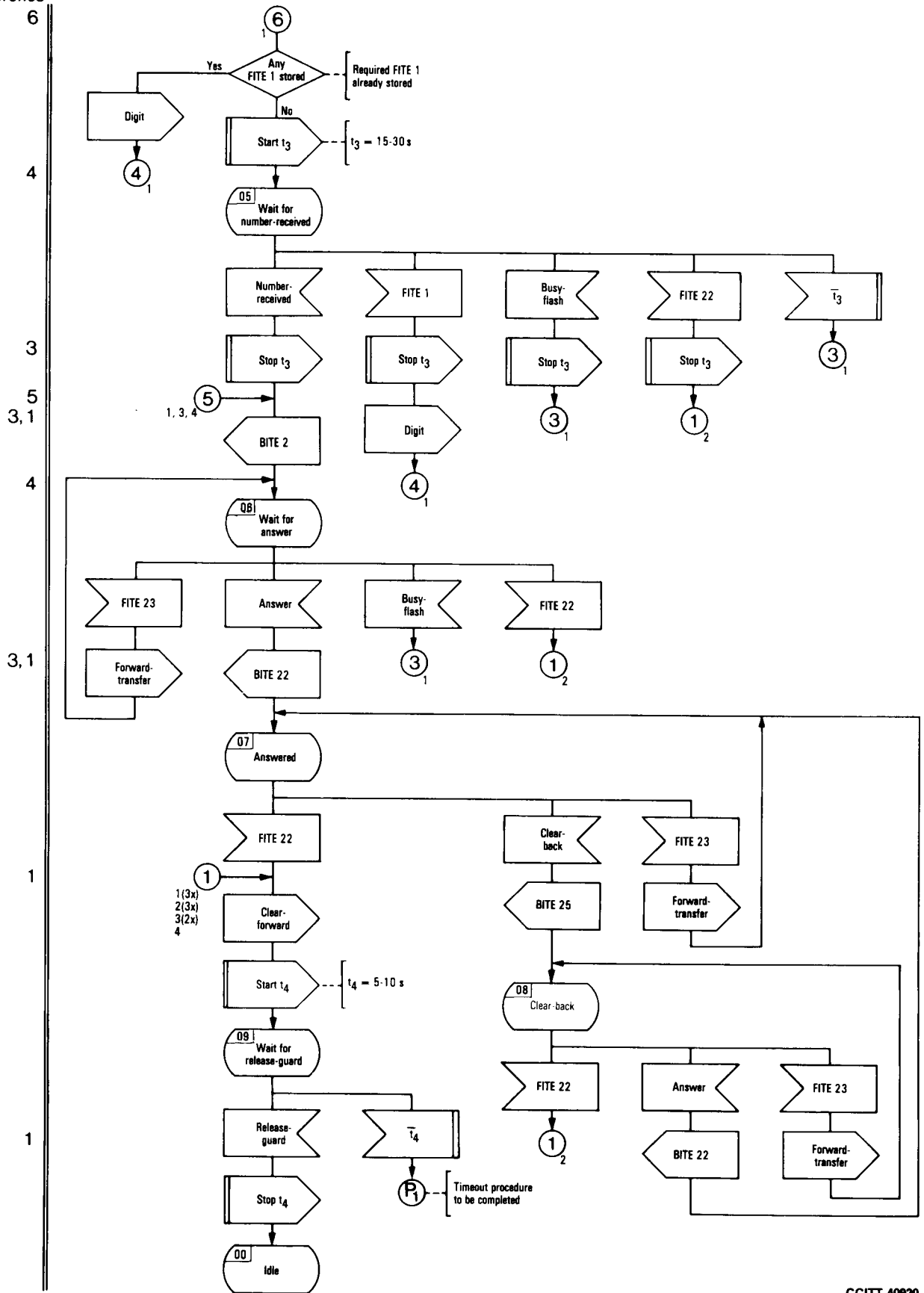


FIGURE 3/Q.621 (Sheet 1 of 4)
Outgoing Signalling System No. 4

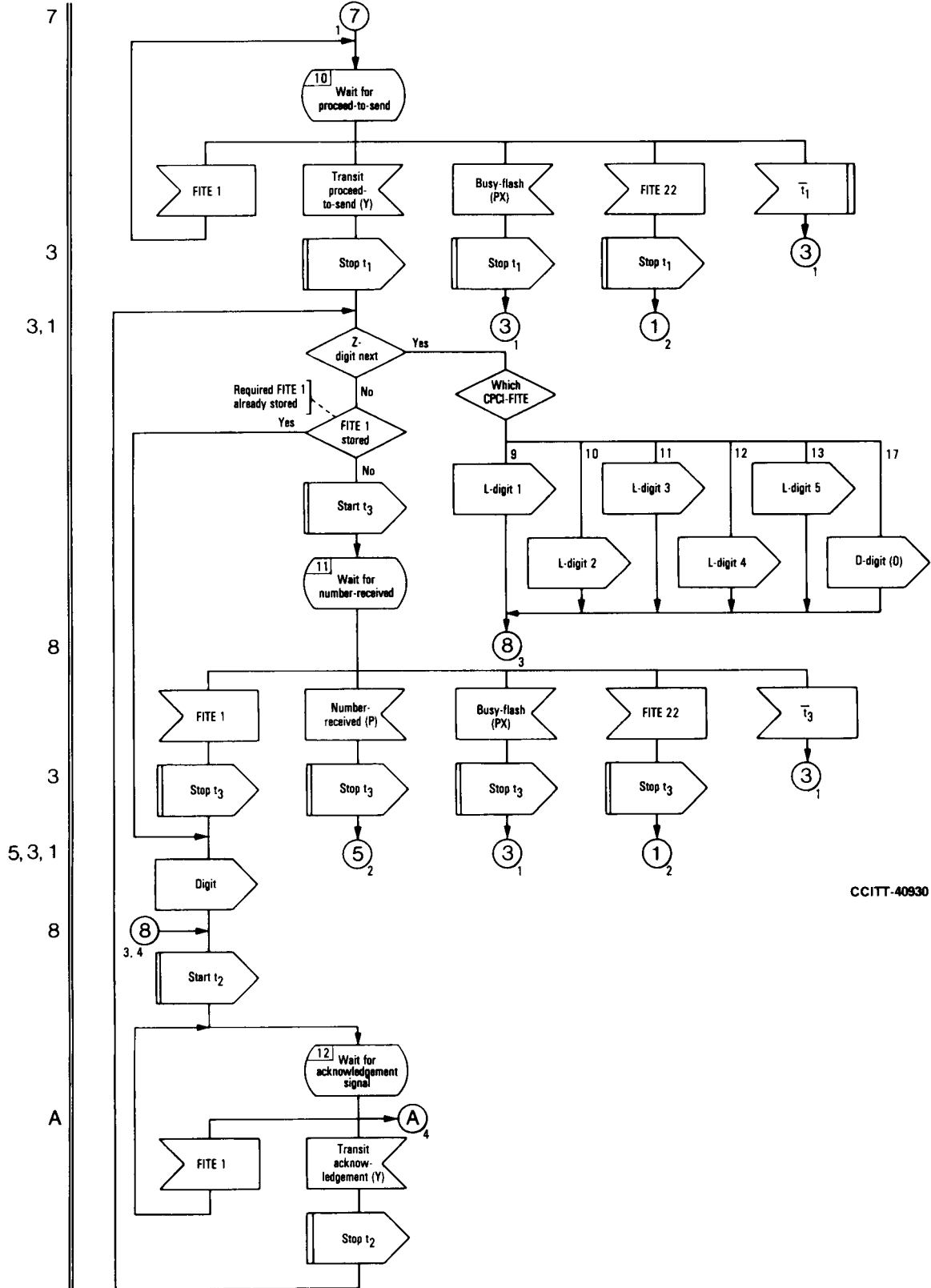
Connector reference



CCITT-40920

FIGURE 3/Q.621 (Sheet 2 of 4)
Outgoing Signalling System No. 4

Connector reference



CCITT-40930

FIGURE 3/Q.621 (Sheet 3 of 4)
Outgoing Signalling System No. 4

Connector reference

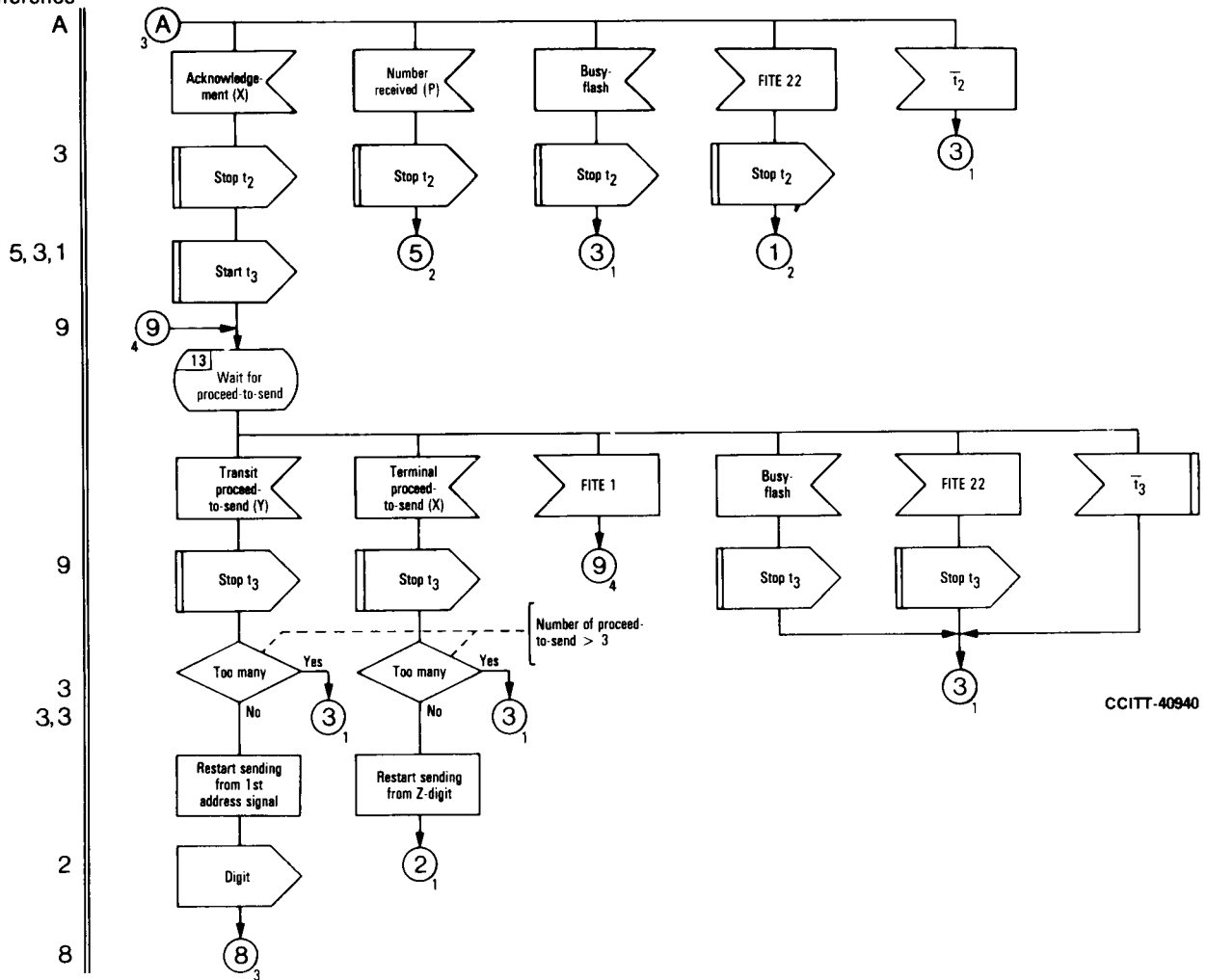


FIGURE 3/Q.621 (Sheet 4 of 4)
Outgoing Signalling System No. 4