



INTERNATIONAL TELECOMMUNICATION UNION

ITU-T

TELECOMMUNICATION
STANDARDIZATION SECTOR
OF ITU

Q.611

INTERWORKING OF SIGNALLING SYSTEMS

**LOGIC PROCEDURES FOR INCOMING
SIGNALLING SYSTEM No. 4**

ITU-T Recommendation Q.611

(Extract from the *Blue Book*)

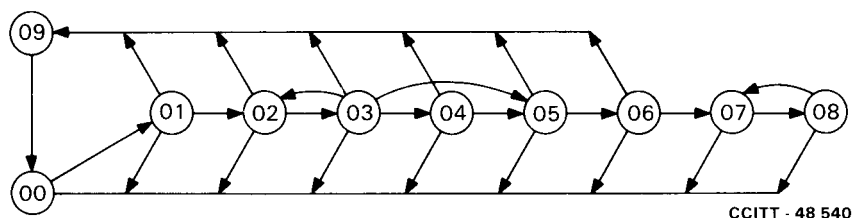
NOTES

1 ITU-T Recommendation Q.611 was published in Fascicle VI.6 of the *Blue Book*. This file is an extract from the *Blue Book*. While the presentation and layout of the text might be slightly different from the *Blue Book* version, the contents of the file are identical to the *Blue Book* version and copyright conditions remain unchanged (see below).

2 In this Recommendation, the expression “Administration” is used for conciseness to indicate both a telecommunication administration and a recognized operating agency.

Recommendation Q.611

LOGIC PROCEDURES FOR INCOMING SIGNALLING SYSTEM No. 4



<i>State number</i>	<i>State description</i>	<i>Sheet reference</i>	<i>Timers running</i>
00	Idle	1, 3	
01	Wait for register activation	1	t_1
02	Wait for (next) forward reg. signal	1	$t_2, (t_4)$
03	Wait for digit analysis	2	t_3
04	Wait for address-complete	2	t_4
05	Wait for register deactivation	3	
06	Wait for answer	3	
07	Answered	3	
08	Clear-back	3	

FIGURE 1/Q.611

State overview diagram for incoming Signalling System No. 4

Supervisory timers

- $t_1 \leq 5$ s Recommendation Q.125, § 4.2.4
- $t_2 = 5-10$ s Recommendation Q.127, § 4.4.3 (2), b)
- $t_3 \leq 10$ Recommendation Q.125, § 4.2.4
- $t_4 = 30-60$ s Recommendation Q.125, § 4.4.3 (2), a)

Procedures not shown

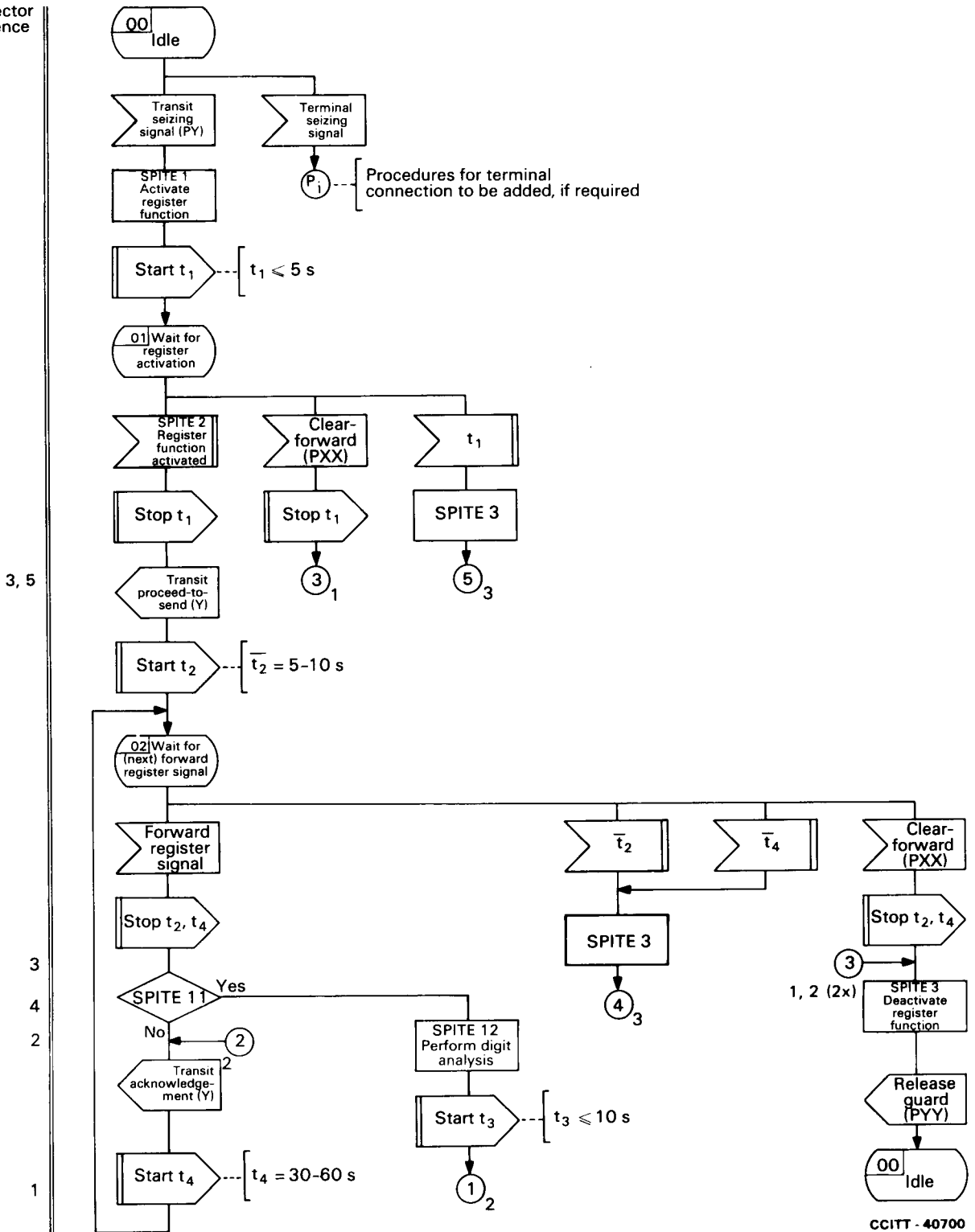
The following procedures, not directly relevant to interworking, are not shown in the logic procedures:

- Procedures for terminal connection

FIGURE 2/Q.611

Notes to incoming Signalling System No. 4

Connector reference



CCITT - 40700

FIGURE 3/Q.611 (Sheet 1 of 3)
Incoming Signalling System No. 4

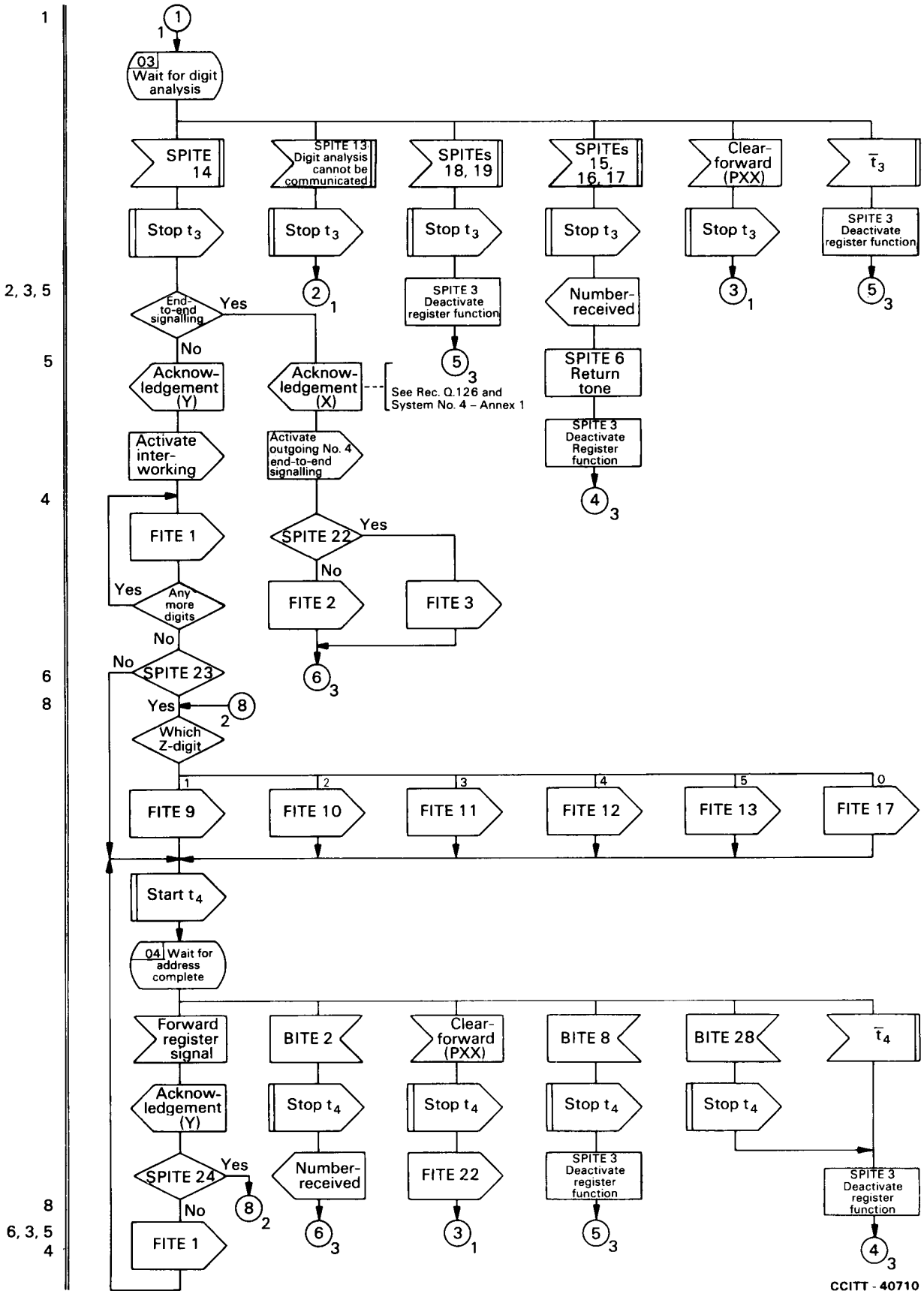
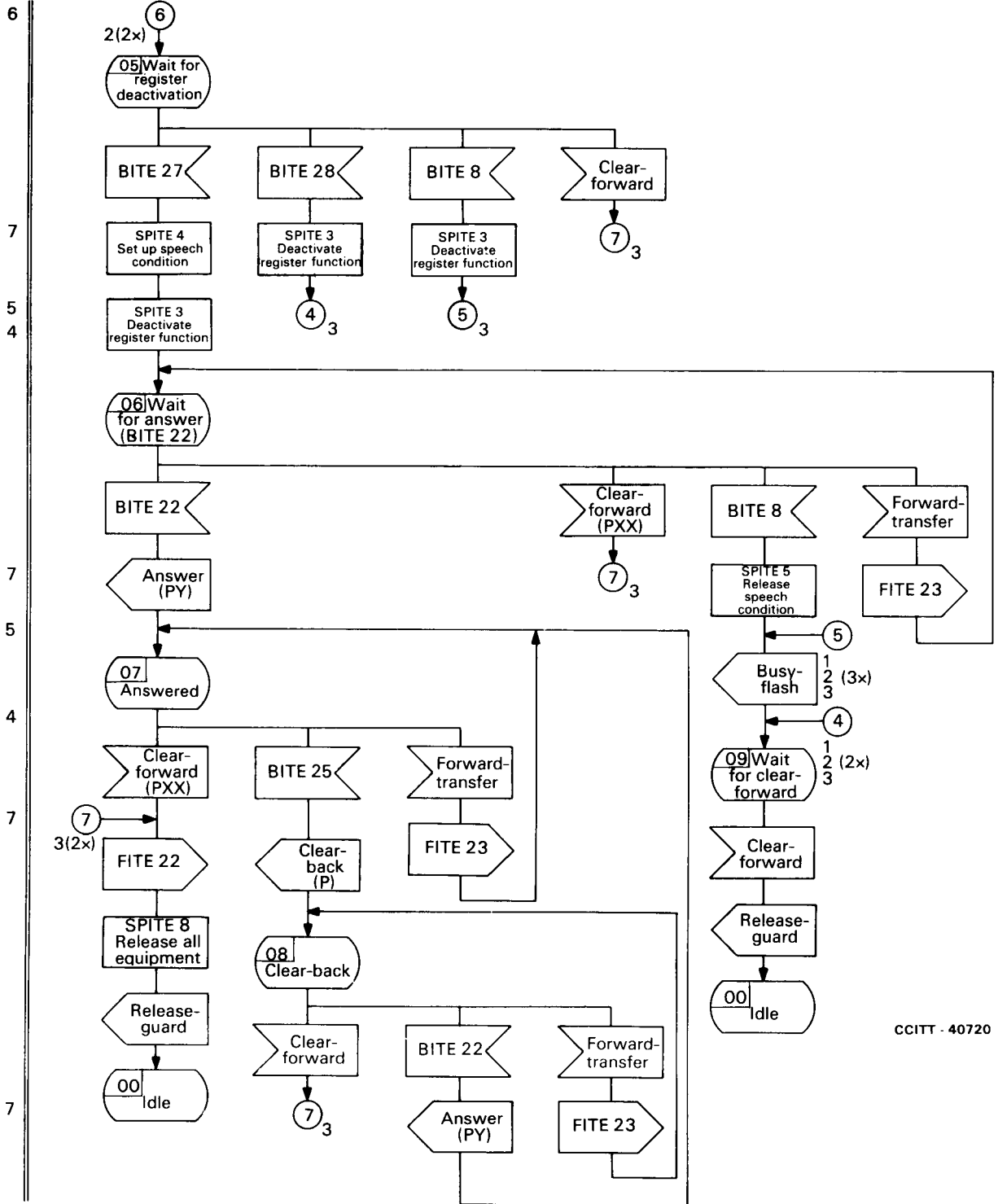


FIGURE 3/Q.611 (Sheet 2 of 3)

Incoming Signalling System No. 4



CCITT - 40720

FIGURE 3/Q.611 (Sheet 3 of 3)
 Incoming Signalling System No. 4