



INTERNATIONAL TELECOMMUNICATION UNION

ITU-T

TELECOMMUNICATION
STANDARDIZATION SECTOR
OF ITU

G.976

(04/97)

SERIES G: TRANSMISSION SYSTEMS AND MEDIA,
DIGITAL SYSTEMS AND NETWORKS

Digital transmission systems – Digital sections and digital
line system – Optical fibre submarine cable systems

**Test methods applicable to optical fibre
submarine cable systems**

ITU-T Recommendation G.976

(Previously CCITT Recommendation)

ITU-T G-SERIES RECOMMENDATIONS
TRANSMISSION SYSTEMS AND MEDIA, DIGITAL SYSTEMS AND NETWORKS

INTERNATIONAL TELEPHONE CONNECTIONS AND CIRCUITS	G.100–G.199
INTERNATIONAL ANALOGUE CARRIER SYSTEM	
GENERAL CHARACTERISTICS COMMON TO ALL ANALOGUE CARRIER-TRANSMISSION SYSTEMS	G.200–G.299
INDIVIDUAL CHARACTERISTICS OF INTERNATIONAL CARRIER TELEPHONE SYSTEMS ON METALLIC LINES	G.300–G.399
GENERAL CHARACTERISTICS OF INTERNATIONAL CARRIER TELEPHONE SYSTEMS ON RADIO-RELAY OR SATELLITE LINKS AND INTERCONNECTION WITH METALLIC LINES	G.400–G.449
COORDINATION OF RADIOTELEPHONY AND LINE TELEPHONY	G.450–G.499
TRANSMISSION MEDIA CHARACTERISTICS	G.600–G.699
General	G.600–G.609
DIGITAL TRANSMISSION SYSTEMS	
TERMINAL EQUIPMENTS	G.700–G.799
DIGITAL NETWORKS	G.800–G.899
DIGITAL SECTIONS AND DIGITAL LINE SYSTEM	G.900–G.999
General	G.900–G.909
Parameters for optical fibre cable systems	G.910–G.919
Digital sections at hierarchical bit rates based on a bit rate of 2048 kbit/s	G.920–G.929
Digital line transmission systems on cable at non-hierarchical bit rates	G.930–G.939
Digital line systems provided by FDM transmission bearers	G.940–G.949
Digital line systems	G.950–G.959
Digital section and digital transmission systems for customer access to ISDN	G.960–G.969
Optical fibre submarine cable systems	G.970–G.979
Optical line systems for local and access networks	G.980–G.999

For further details, please refer to ITU-T List of Recommendations.

ITU-T RECOMMENDATION G.976

TEST METHODS APPLICABLE TO OPTICAL FIBRE SUBMARINE CABLE SYSTEMS

Summary

The purpose of this Recommendation is to highlight the purpose of testing in optical fibre submarine cable systems and to list the main test methods applicable to these systems. Specific test methods are described.

Source

ITU-T Recommendation G.976 was prepared by ITU-T Study Group 15 (1997-2000) and was approved under the WTSC Resolution No. 1 procedure on the 8th of April 1997.

FOREWORD

ITU (International Telecommunication Union) is the United Nations Specialized Agency in the field of telecommunications. The ITU-Telecommunication Standardization Sector (ITU-T) is a permanent organ of the ITU. The ITU-T is responsible for studying technical, operating and tariff questions and issuing Recommendations on them with a view to standardizing telecommunications on a worldwide basis.

The World Telecommunication Standardization Conference (WTSC), which meets every four years, establishes the topics for study by the ITU-T Study Groups which, in their turn, produce Recommendations on these topics.

The approval of Recommendations by the Members of the ITU-T is covered by the procedure laid down in WTSC Resolution No. 1.

In some areas of information technology which fall within ITU-T's purview, the necessary standards are prepared on a collaborative basis with ISO and IEC.

NOTE

In this Recommendation, the expression "Administration" is used for conciseness to indicate both a telecommunication administration and a recognized operating agency.

INTELLECTUAL PROPERTY RIGHTS

The ITU draws attention to the possibility that the practice or implementation of this Recommendation may involve the use of a claimed Intellectual Property Right. The ITU takes no position concerning the evidence, validity or applicability of claimed Intellectual Property Rights, whether asserted by ITU members or others outside of the Recommendation development process.

As of the date of approval of this Recommendation, the ITU had/had not received notice of intellectual property, protected by patents, which may be required to implement this Recommendation. However, implementors are cautioned that this may not represent the latest information and are therefore strongly urged to consult the TSB patent database.

© ITU 1997

All rights reserved. No part of this publication may be reproduced or utilized in any form or by any means, electronic or mechanical, including photocopying and microfilm, without permission in writing from the ITU.

CONTENTS

	Page
1	Scope..... 1
2	References..... 1
3	Terms and definitions 2
4	Abbreviations..... 2
5	Purpose of testing in optical fibre submarine cable systems 2
5.1	Qualification tests 2
5.1.1	Performance characterization tests 3
5.1.2	Technology characterization tests..... 3
5.1.3	Technology qualification tests..... 3
5.1.4	Life tests..... 3
5.1.5	Testing programmes 3
5.2	Quality assurance tests..... 3
5.2.1	Manufacturing control tests 3
5.2.2	Component selection tests 4
5.2.3	Subassembly, subunit or equipment factory tests..... 4
5.3	Installation tests 4
5.3.1	Tests during submarine portion assembly 5
5.3.2	Testing during submarine portion loading and laying..... 6
5.3.3	Tests after terminal equipment installation 6
5.4	Cable system commissioning tests..... 6
5.5	Maintenance tests..... 7
5.5.1	Routine tests 7
5.5.2	Tests used for fault location on the submerged plant 7
5.5.3	Tests made during and after a repair on the submerged plant 7
6	List of tests to be made on optical fibre submarine cable systems and applicable test methods..... 7
6.1	Tests on the optical fibres of the optical fibre submarine cable..... 8
6.1.1	General..... 8
6.1.2	Tests on optogeometric characteristics..... 8
6.1.3	Tests on transmission characteristics..... 9
6.1.4	Tests on mechanical characteristics..... 9
6.1.5	Manufacture, installation and environmental considerations..... 10
6.2	Tests on the optical fibre submarine cable..... 10
6.2.1	Transmission performance..... 11
6.2.2	Mechanical performance 11

	Page
6.2.3 Handling performance	11
6.2.4 Reliability performance	11
6.2.5 Operational performance	11
6.3 Tests on repeaters.....	11
6.4 Tests on the terminal transmission equipment.....	11
6.5 Tests on the power feeding equipment	12
6.6 Tests on the link	12
6.6.1 General.....	12
6.6.2 Overall error performance	13
6.6.3 Jitter performance	13
6.6.4 Margin monitoring.....	13
7 Description of specific test methods applicable to optical fibre submarine cable systems.....	13
7.1 Tests on the optical fibres of the optical fibre submarine cable.....	13
7.1.1 General.....	13
7.1.2 Test methods on optogeometric characteristics.....	13
7.1.3 Test methods on transmission characteristics.....	13
7.2 Tests on the optical fibre submarine cable.....	14
7.2.1 Transmission performance.....	15
7.2.2 Mechanical performance	16
7.2.3 Handling performance	19
7.2.4 Reliability performance	20
7.2.5 Operational tests	22
7.3 Tests on repeaters.....	23
7.4 Tests on the terminal transmission equipment.....	23
7.4.1 Transmission tests.....	23
7.5 Tests on the power feeding equipment	24
7.6 Tests on the link	24
7.6.1 Transmission tests.....	24
Annex A – Definition of terms relevant to the tests on optical fibre submarine cables.....	25
A.1 Q factor	26
Appendix I – Detailed definitions relevant to optical fibre submarine cable systems.....	26
I.1.1 cable safety margin.....	26
I.1.2 nominal permanent tensile strength (NPTS).....	26
I.1.3 nominal operating tensile strength (NOTS).....	27
I.1.4 nominal transient tensile strength (NTTS)	27

Recommendation G.976

TEST METHODS APPLICABLE TO OPTICAL FIBRE SUBMARINE CABLE SYSTEMS

(Geneva, 1997)

1 Scope

Testing is of high importance for optical fibre submarine cable systems since, together with a proper design and a careful definition of technologies, it is the only way to guarantee that the quality, lifetime and reliability performance of an optical fibre submarine cable system shall be met.

It is to be recognized that numerous test methods are specific to particular system designs and are therefore proprietary information of the system designer/supplier. However, a common understanding needs to be met between the system designer/supplier and the system purchaser/operator about the general purpose of testing and the meaning of the results.

In so far as they are applicable to optical fibre submarine cable systems, general test methods recommended by the ITU-T should be applied. It should be recognized that these methods may need adaptation to the specific characteristics of optical fibre submarine systems. It should also be recognized that some test methods are specific to optical fibre submarine cable systems and of little or no use elsewhere.

The purpose of this Recommendation is to highlight the testing of optical fibre submarine cable systems by listing the main tests applicable to these systems and by describing test methods specific to these systems.

2 References

The following ITU-T Recommendations and other references contain provisions which, through reference in this text, constitute provisions of this Recommendation. At the time of publication, the editions indicated were valid. All Recommendations and other references are subject to revision; all users of this Recommendation are therefore encouraged to investigate the possibility of applying the most recent edition of the Recommendations and other references listed below. A list of the currently valid ITU-T Recommendations is regularly published.

- ITU-T Recommendation G.650 (1997), *Definition and test methods for the relevant parameters of single-mode fibres.*
- ITU-T Recommendation G.821 (1996), *Error performance of an international digital connection operating at a bit rate below the primary rate and forming part of an integrated services digital network.*
- ITU-T Recommendation G.823 (1993), *The control of jitter and wander within digital networks which are based on the 2048 kbit/s hierarchy.*
- ITU-T Recommendation G.826 (1996), *Error performance parameters and objectives for international, constant bit rate digital paths at or above the primary rate.*
- ITU-T Recommendation G.958 (1994), *Digital line systems based on the synchronous digital hierarchy for use on optical fibre cables.*
- ITU-T Recommendation G.971 (1996), *General features of optical fibre submarine cable systems.*

- ITU-T Recommendation G.972 (1997), *Definition of terms relevant to optical fibre submarine cable systems.*
- ITU-T Recommendation G.973 (1996), *Characteristics of repeaterless optical fibre submarine cable systems.*
- ITU-T Recommendation G.974 (1993), *Characteristics of regenerative optical fibre submarine cable systems.*
- ITU-T Recommendation G.975 (1996), *Forward error correction for submarine systems.*

3 Terms and definitions

Terms used in this Recommendation are defined in Recommendation G.972.

4 Abbreviations

This Recommendation uses the following abbreviations:

A_{eff}	Effective Area
ATM	Alternative Test Method
MFD	Mode Field Diameter
MTC	Marinized Terrestrial Cable
NOTS	Nominal Operating Tensile Strength
NPTS	Nominal Permanent Tensile Strength
NTTS	Nominal Transient Tensile Strength
n_2/A_{eff}	Non-linear coefficient
OTDR	Optical Time Domain Reflectometry
PFE	Power Feeding Equipment
PMD	Polarization Mode Dispersion
RTM	Recommended Test Method
STE	System Terminal Equipment
TTE	Terminal Transmission Equipment
λ_c	Cut-off Wavelength

5 Purpose of testing in optical fibre submarine cable systems

Testing is to be made at different periods in a system life, during development, manufacturing and operation, for different purposes. A large amount of testing is of interest for the system designer and supplier only and is not relevant to this Recommendation. However, testing is also of concern for a system purchaser and operator. The latter includes qualification tests, quality assurance tests, installation tests, commissioning tests, and maintenance tests.

5.1 Qualification tests

Qualification tests are made as part of the development programme so as to choose proper designs and technologies, and once they are chosen, to demonstrate that they adequately satisfy the performance, reliability and lifetime requirement of the system. They are made on every component, material, subassembly, piece of equipment, and on the system itself. Tests conducted by the manufacturer supplying components or materials are often adequate, and therefore used. The testing

programme is defined for each item, taking into account its own characteristics and the experience already gained on similar items. Qualification tests generally include appropriate performance characterization, technology characterization and qualification, and life tests.

5.1.1 Performance characterization tests

Performance characterization is intended to demonstrate that the item satisfies the transmission requirement within the whole range of specified environmental conditions.

5.1.2 Technology characterization tests

Technology characterization is intended to evaluate the ruggedness of the technology, to identify the potential failure mechanisms (with a potential feedback on the design or technology so as to avoid dangerous mechanisms), and to establish models which permit to predict the behaviour of devices. These tests may provide the condition of use for the various items, and permit the establishment of screening and selection procedures, so as to eliminate devices which would exhibit early failure or not satisfy the lifetime requirement. Some tests are made with the item operating, others in storage condition. High stress (such as severe temperature, mechanical, electrical or optical conditions), with sometimes an increased level of stress, and with fast or slow variation with time, may be applied.

5.1.3 Technology qualification tests

Technology qualification is intended to confirm the quality of the technology and the adequacy of the selection procedure. The test conditions are chosen taking into account the results of the characterization tests. For example, tests can be made at several temperatures, which permit the evaluation of an activation energy and/or an acceleration factor.

5.1.4 Life tests

Ageing tests are intended to evaluate the lifetime and the reliability with reference to end-of-life criteria chosen, taking into account the characteristics of the operation in the system. Acceleration by temperature or other means, using an established or derived model, may be used. Part of life tests may be made in conditions close to the operating conditions in the system.

5.1.5 Testing programmes

The testing programmes for these different tests should indicate the number of devices to be tested, the description of the test conditions, and the methodology of test.

However, most testing programmes are proprietary information of suppliers.

5.2 Quality assurance tests

Reference to ISO standards may be required.

Quality assurance tests are made during manufacture so as to demonstrate that the manufacturing process shall maintain the inherent quality and reliability provided by the design. It includes manufacturing control tests, component selection or acceptance tests, subassembly, subunit or equipment acceptance tests.

5.2.1 Manufacturing control tests

Manufacturing control tests are made during the manufacturing programme, including manufacture of components, subassemblies, equipment, optical fibres, and cable, so as to ensure that the manufacturing operation is compatible with the required quality. Manufacturing control tests include part or all of the following:

- manufacturing process qualification tests, which consists in manufacturing an industrial prototype according to the defined manufacturing procedure, prior to the start of manufacture, to finalize the manufacturing process and to verify its adequacy;
- manufacturing tools qualification tests which are periodically made, eventually after tool recalibration during manufacture, to ensure that the performance of the manufacturing tools are in accordance with the manufacturing specification; these tests may consist in manufacturing devices which are submitted to tests which may be destructive;
- operator qualification tests, made initially after training and periodically during manufacturing, to ensure the ability of an operator to accomplish tasks according to the specification; these tests may consist in manufacturing devices which are submitted to tests which may be destructive;
- visual inspection, made at identified stages of the manufacturing process on each production item to visually check the result of an operation or a sequence of operations; these tests are non-destructive and may be made using inspection tools such as optical microscopy, radiography, etc.

5.2.2 Component selection tests

Each component (e.g. electronic, optoelectronic or optical component, including the optical fibre, and raw material) to be used in an optical fibre submarine cable system is individually tested so as to ensure that it will present the required performance during the system design life. The testing procedure is defined during the qualification, taking into account the results of the technology characterization tests. Depending on the nature of the component, the selection or acceptance tests may include part or all of the following:

- batch qualification tests, which are high-stress destructive tests made on a few samples from the batch, and are intended to ensure that the general ruggedness of the batch is satisfactory, so as to be able to eliminate unsatisfactory batches;
- stabilization tests, which are high-stress tests applied to all the components, and which result in the stabilization of the characteristics;
- screen tests, made on all the components of selected batches, to identify weaker devices which would present early failure and to eliminate them; the level of stress should be such that it will not significantly reduce the component reliability or lifetime;
- long duration tests, applied during a sufficiently long period to a few samples or to all the components if necessary with conditions close to the condition of operation in the system, to monitor the evolution of their characteristics and to eliminate components which would present an insufficient lifetime.

5.2.3 Subassembly, subunit or equipment factory tests

Tests are made in factory on each subassembly (e.g. printed circuit board), subunit (e.g. repeater electronic unit, or PFE power converter) and piece of equipment (e.g. cable length, repeater or terminal equipment). It consists in testing the equipment performance (e.g. transmission performance, functional performance) in the nominal environmental conditions specified for the item.

5.3 Installation tests

These tests take place during portion (or complete submerged plant) assembly, during subsequent loading on the cable ship, during laying of the submerged plant, during and after installation of the terminal station equipment. Their purpose is to verify that, at each important period of the system

installation, the functionality and the performance of the installed equipment meet the specifications necessary to insure the successful completion of the whole cable system.

5.3.1 Tests during submarine portion assembly

General

At each jointing operation (cable-to-cable, cable to repeater/amplifier ...), tests on mechanical and electrical (if applicable) quality of the joint are performed.

Regenerated systems

The performances tests, including transmission quality assessment, supervisory and functional tests (for example loop-back, transmitter change-over ...) are done on each individual repeater and after connection to the assembled sections. The results should ascertain that the transmission quality is met with the specified margins on each section of regeneration, that the supervisory system meets its requirements, and that the repeater's functionality works correctly. Comparison with tests results obtained in the repeater factory are used for comparison.

Prior to the loading of the fully assembled submerged portion, transmission quality tests (including end-to-end bit-error rate, individual error count in each repeater, jitter ...), and supervisory and repeater functional tests are used to demonstrate that the required specifications are met.

Amplified systems

Since the transmission quality measured on an amplified section does not represent the whole link or portion thereof, these tests make use of measurements and techniques proven to be adequate during the development process. It is recognized that, environmental conditions being different from those on the sea bottom, these tests are not fully representative of the system performances. They may include tests on individual optical amplifiers (noise figure, gain and peak gain wavelength ... supervisory), and individual cabled fibre section (loss, chromatic dispersion, polarization mode dispersion ...). As a minimum, optical signal transmission, supervisory, and functional (for example loop-back, pump laser change-over ... if applicable) tests are performed while jointing each optical amplifier or on assembled portions to assure they function in accordance with the system design.

At the end of the portion assembly, it is verified that the interface specifications with the other portions are met (this can be done via measurement or calculation of the Q factor, optical signal-to-noise ratio, optical spectrum, cumulated chromatic dispersion, cumulated polarization mode dispersion ... or any other parameter measurement or calculation representative of transmission quality). If applicable, all the functionalities implemented in the amplifiers are also checked through the supervisory system. It is preferred, particularly when the whole submerged plant is to be laid at once, that performance measurements be also made with the possible use of temporary compensation techniques (for example on chromatic dispersion) to account for environmental conditions different from those at the sea bottom.

It must be recognized that since the amplified technology is new and in continuous progress, the nature of the tests to be performed may change significantly.

Repeaterless system

These tests are mainly related to the optical characteristics of the cabled fibres in order to ascertain that the optical power budget and propagation impairments, when applicable, will provide the transmission quality with sufficient margins. When techniques such as remote pumping of in-line amplifying fibre are used, other tests such as pump signal transmission may be necessary.

5.3.2 Testing during submarine portion loading and laying

Regenerated and amplified systems

During the loading of the submarine portion on the cable ship, the system may be powered in order to check that the submarine portion is free from damage. After loading completion, the portion will be powered and tests will be carried out in order to check the stability of the portion performances over a sufficient time period.

During the laying operations, the system should be powered to the greatest extent possible consistent with personal safety in order to test the system and to verify that no fault or significant degradation which may jeopardize final performance has occurred. At the end of the complete installation of a submerged portion, the necessary interface performance will be checked in order to warrant that subsequent jointing with the other portions will provide the required performances. These interface tests are particularly important if the cable system is provided on a multisupplier basis since different portions may use different designs.

Repeaterless systems

As a minimum, the transmission quality of the fibres are continuously or periodically monitored during the laying operations. If techniques like remote pumping of submerged amplifying fibres are used, specific tests will be performed in complement.

5.3.3 Tests after terminal equipment installation

After completion of the equipment installation in each cable station, functional (including alarms), performance and safety tests should be carried out in order to verify that the specifications are met in the environmental conditions of each terminal station. These tests should verify the performances, functionalities, maintenance facilities of each equipment and their interworking performances. The following conditions should be considered as a minimum:

- power feed equipment working on a dummy load (except for repeaterless systems);
- terminal transmission equipment in a loop-back configuration;
- computerized maintenance controller connected to the TTE and to the PFE.

5.4 Cable system commissioning tests

These tests take place after the terminal equipment installation test in each station and after the laying of the submerged plant. They will verify that the as-installed system is compliant with the technical specifications including a verification of the margins required at the beginning of life to warrant transmission performances, maintenance and repair operations during the specified design life. The following tests should be considered:

End-to-end performance and functionality tests

These tests are performed between the input/output ports of the cable system in order to verify that the technical specifications are met for transmission quality and functionality of the cable system as a whole.

Submerged plant performance and functional tests

Functional and transmission quality tests on the repeaters/amplifiers are performed to insure that sufficient margins exist at the installation of the system. Tests of the supervisory system and of fault localization are also performed. Tests parameters may vary with the system design and the transmission technique (see 5.3.1). Transmission and margins demonstration tests use the installed terminal transmission equipment and supervisory system. For amplified systems, indirect parameters such as the Q factor, optical signal-to-noise ratio, optical spectrum may also be used.

The commissioning tests include a stability period over which all the relevant parameters of the installed cable system are recorded. These results provide a baseline or reference data as necessary for future operation, maintenance or repair of the system.

Terminal station equipment tests

These performance and functional tests are performed on these equipment (TTE, PFE, maintenance controller) in their operational configuration together with the submerged plant.

5.5 Maintenance tests

These tests are done throughout the operational life of the system during normal and maintenance operations. They are used to periodically check the performances of the system for preventive maintenance, for fault localization and to evaluate the possible margin degradations due to repairs.

5.5.1 Routine tests

These tests are performed on the submerged plant from the terminal stations with the help of the supervisory system. They are done in service, either automatically or on operator request. Their results are used for comparison with previous baseline data. They must not degrade the transmission quality below the specified levels. These tests are not applicable to repeaterless systems.

Similar routine tests are also performed on the terminal equipment.

5.5.2 Tests used for fault location on the submerged plant

These tests may be performed out of service from the terminal station using the supervisory system or with the help of external means (e.g. OTDR, coherent OTDR, resistance or capacitance measurements on the conductor ...). They are used to locate and to identify the fault with the maximum precision.

From the cable ship, before recovery of the faulty piece of cable or submerged equipment, tests for cable location can be used for example by electroding when applicable.

5.5.3 Tests made during and after a repair on the submerged plant

After recovery of the cable near the fault location, tests are carried out in order to more accurately determine the localization and the nature of the fault. They can include optical time domain reflectometry and insulation measurements.

After a repair, tests are performed to check the mechanical, electrical and transmission quality of this repair prior to laying. For regenerated systems, the power margins on the repaired section are measured using the information on transmission quality given by the supervisory system. For amplified systems, methods similar to those used during system installation and commissioning tests may be used.

6 List of tests to be made on optical fibre submarine cable systems and applicable test methods

This clause contains references to test methods specific to submarine systems, and references to general test methods studied under other questions and which are directly applicable to optical fibre submarine cable systems.

6.1 Tests on the optical fibres of the optical fibre submarine cable

6.1.1 General

This subclause lists and describes tests on the optical fibres of the optical fibre submarine cable. General descriptions of tests of single-mode optical fibres are found in Recommendation G.650. The aim of this subclause is to list the tests on the optical fibres of the optical fibre submarine cable. The tests listed here are closely related to the transmission characteristics of optical fibre submarine cable systems. All the test items, relevant Recommendations, applicable fibre types, and relevant systems are summarized in Table 1.

Table 1/G.976 – Lists of typical tests on the optical fibres of the optical fibre submarine cable

Tests	Defined in	Described in	Applicable to	Relevant systems
Mode field diameter (MFD)	1.3.2/G.650	2.1/G.650	F	All systems
Cladding diameter	1.4.3/G.650	2.2/G.650	F	All systems
Mode field concentricity error	1.3.4/G.650	2.2/G.650	F	All systems
Cladding non-circularity	1.4.6/G.650	2.2/G.650	F	All systems
Effective area (A_{eff})	Appendix III/G.650	7.1.2.1/G.976 Under study	F	Optically amplified long-haul systems
Non-linear coefficient (n_2/A_{eff})	Appendix III/G.650	7.1.2.2/G.976 Under study	F	Optically amplified long-haul systems
Attenuation	1.6.2/G.650	2.4/G.650	F, C	All systems
Cut-off wavelength (λ_c)	1.6.1/G.650	2.3/G.650	F	All systems
Chromatic dispersion	1.5/G.650	2.5/G.650	F, C	All systems
Polarization mode dispersion (PMD)	1.6.3/G.650	2.7/G.650	F, C	All systems
Proof-test	1.2.3/G.650	2.6/G.650	F	All systems
F Independent fibre C Fibre in the cable				

6.1.2 Tests on optogeometric characteristics

This subclause lists optogeometric characteristics of the optical fibres of the optical fibre submarine cable that need to be tested.

6.1.2.1 Mode field diameter (MFD)

Mode Field Diameter (MFD) is a parameter that is related to the fundamental mode (LP_{01}) field distribution in the optical fibre. MFD is becoming increasingly important recently since it is closely

related to the degree of optical non-linearities that will affect the transmission quality of the optical fibre submarine cable systems, especially in long-haul optically amplified systems.

6.1.2.2 Cladding diameter, mode field concentricity error, and cladding non-circularity

Cladding diameter, mode field concentricity error, and cladding non-circularity are the parameters that show optogeometric characteristics of the optical fibre.

6.1.2.3 Effective Area (A_{eff})

Effective Area (A_{eff}) is a parameter that is closely related to optical fibre non-linearities that will affect the transmission quality of the optical fibre submarine cable systems, especially in long-haul optically amplified systems.

6.1.2.4 Non-linear coefficient (n_2/A_{eff})

Non-linear coefficient (n_2/A_{eff}) is a parameter that expresses the optical fibre non-linearities. Optical fibre non-linearities will affect the transmission quality of the optical fibre submarine cable systems, especially in long-haul optically amplified systems.

6.1.3 Tests on transmission characteristics

This subclause lists transmission characteristics of the optical fibres of the optical fibre submarine cable that need to be tested.

6.1.3.1 Attenuation

Attenuation comes from the loss of the optical fibres of the optical fibre submarine cable, and from the splicing of them. Attenuation is closely related to the maximum transmission distance of the optical fibre submarine cable systems.

6.1.3.2 Cut-off wavelength (λ_c)

Cut-off wavelength (λ_c) is the shortest wavelength representing single-mode operation.

6.1.3.3 Chromatic dispersion

Chromatic dispersion of the optical fibres of the optical fibre submarine cable is important since the characteristics induce waveform distortion of the transmitted data streams especially in long-haul and/or high data-rate systems.

Chromatic dispersion of the optical fibres is expressed by the following parameters:

- chromatic dispersion coefficient;
- zero-dispersion slope;
- zero-dispersion wavelength.

6.1.3.4 Polarization Mode Dispersion (PMD)

If the optical fibres of the optical fibre submarine cable have a large amount of PMD, this will cause waveform distortion of the transmitted data streams, resulting in transmission characteristics degradation of the optical fibre submarine cable systems.

6.1.4 Tests on mechanical characteristics

For evaluation of mechanical characteristics of the optical fibres of the optical fibre submarine cable, the fibre proof-test is performed.

6.1.5 Manufacture, installation and environmental considerations

The optical fibres of the optical fibre submarine cable should be tested well before their actual installation. Some of the parameters of the optical fibres might be changed due to the cabling processes. Hence, some tests on the optical fibres of the optical fibre submarine cable may need to be repeated after the cabling processes.

Moreover, environmental conditions (such as pressure, tension and temperature of the optical fibre submarine cables) are different before and after cable laying. Such differences might induce changes in the parameters of the optical fibres of the optical fibre submarine cable. The effect of the environment on the cabled fibres should therefore be assessed appropriately.

6.2 Tests on the optical fibre submarine cable

In this subclause, tests relevant to submarine cables, both for repeatered and repeaterless system use, are described and listed in Table 2.

The list of tests is based on typical test programmes and is therefore not exclusive or exhaustive. Some of the tests are inappropriate for production test purposes as they are either unsuited for online use or are of a destructive nature, some being used to determine limits of capability. Supplementary tests or specific test conditions should be implemented, if necessary, to assure that the cable type offered is fit for the purpose intended.

Table 2/G.976 – Typical tests on optical fibre submarine cables

Reference	Test item	Sample history	Rep.	Replless.
7.2.1	Transmission			
7.2.1.1	Manufactured loss	C	x	x
7.2.1.2	Cabled fibre strain	C	x	x
7.2.1.3	Temperature	C, J	x	x
7.2.1.4	Pressure	C, J	x	x
7.2.2	Mechanical			
7.2.2.1	Tensile (fixed)	C, J	x	x
7.2.2.2	Tensile (free)	C, J	x	x
7.2.2.3	Tensile (break)	C, J	x	x
7.2.2.4	Fatigue	C	x	x
7.2.2.5	Sheave	C, J	x	x
7.2.3	Handling			
7.2.3.1	Crush	C	x	x
7.2.3.2	Impact	C	x	x
7.2.3.3	Flexure resistance	C	x	x
7.2.4	Reliability			
7.2.4.1	Water ingress	C	x	x
7.2.4.2	Corrosion	C, J	x	x
7.2.4.3	High voltage	C, J	x	
7.2.4.4	Insulation integrity	C, J	x	x

Table 2/G.976 – Typical tests on optical fibre submarine cables (concluded)

Reference	Test item	Sample history	Rep.	Repless.
7.2.5	Operational			
7.2.5.1	Adhesion	C	x	x
7.2.5.2	Stopper	C	x	x
7.2.5.3	Installation equipment	C, J	x	x
C	Cable samples that have previously been coiled and uncoiled.			
J	Cable samples that include joints or terminations.			
Rep.	Applicable to repeatered optical fibre submarine cables.			
Repless.	Applicable to repeaterless optical fibre submarine cables.			
x	Shows qualification stage to be tested.			
NOTE – Where justified for ease of testing, the length of cable sample attached to joints or terminations can be shortened.				

6.2.1 Transmission performance

Tests are performed on the submarine cable to quantify its optical and electrical (if appropriate) transmission performance with regard to the mechanical strains, temperature ranges and external pressures arising during cable manufacture and operation.

6.2.2 Mechanical performance

Tests are performed on the submarine cable to quantify its mechanical performance with regard to shipboard laying, recovery and repair, and to establish a known degree of safety.

6.2.3 Handling performance

Tests are performed on the submarine cable to quantify its handling performance during transfer and storage over a wide temperature range, taking into account potential bumps and impact.

6.2.4 Reliability performance

Tests are performed on the submarine cable to quantify its reliability performance with regard to long-term exposure to sea water and in-service electric field gradients, with regard to potential corrosion, electrode toning (if appropriate) and water ingress in the event of a cable break.

6.2.5 Operational performance

Tests are performed on the submarine cable to quantify its performance with regard to being externally gripped, for example with regard to the use of stoppers under the worst weather conditions and to the use of conventional installation equipment.

6.3 Tests on repeaters

(To be studied.)

6.4 Tests on the terminal transmission equipment

(To be studied.)

6.5 Tests on the power feeding equipment

Tests should be made in order to ensure the safety of personnel.

6.6 Tests on the link

6.6.1 General

In this subclause, the information on the tests on the link of the optical fibre submarine cable systems is provided. The aim of this subclause is to provide a table which includes the information on where the performance parameters, their definitions, and their objectives are described in relevant Recommendations.

The tests on the link of the optical fibre submarine cable systems are performed on the basis of overall error performance, jitter performance and margin monitoring.

The performance parameters, relevant Recommendations and relevant systems are summarized in Table 3.

Table 3/G.976 – List of performance parameters of the optical fibre submarine cable systems

Performance description	Performance parameters	Described in	Performance objective in	Relevant systems
Overall error performance	Errored second ratio (ESR)	4.2/G.821	5/G.821	PDH (below the primary rate)
	Errored second ratio (ESR)	5.1/G.826	6.1/G.826	SDH, PDH (at and above the primary rate)
	Severely errored second ratio (SESR)	4.2/G.821	5/G.821	PDH (below the primary rate)
	Severely errored second ratio (SESR)	5.1/G.826	6.1/G.826	SDH, PDH (at and above the primary rate)
	Background block error ratio (BBER)	5.1/G.826	6.1/G.826	SDH, PDH (at and above the primary rate)
Jitter performance ^{a)}	Maximum permissible jitter	2.4/G.823	2/G.823	PDH
	Jitter tolerance	9.3/G.958	9.3/G.958	SDH
Margin monitoring ^{b)}	Q factor	7.6/G.976		PDH, SDH
^{a)} Applicable to regenerative systems only. ^{b)} System margin can be evaluated from the overall performance, and the Q factor is an additional parameter for margin monitoring especially in optically amplified systems. Hence, the measurement of a Q factor is not compulsory.				

6.6.2 Overall error performance

The error performance of an optical fibre submarine cable system should conform to the relevant Recommendations for the design life of the system, i.e. Recommendation G.821 for PDH systems and Recommendation G.826 for SDH systems.

6.6.3 Jitter performance

The jitter performance of an optical fibre submarine cable system should follow Recommendation G.823 for PDH systems and Recommendation G.958 for SDH systems for the system design life.

6.6.4 Margin monitoring

The Q factor at an optical receiver is related to the error performance of an optical fibre submarine cable system. Hence, the information on a Q factor at an optical receiver gives an indication of the margin of the system.

7 Description of specific test methods applicable to optical fibre submarine cable systems

This clause contains descriptions of test methods specific to submarine systems, and of general test methods studied under other questions but which need specific adaptation to meet with submarine systems requirements.

7.1 Tests on the optical fibres of the optical fibre submarine cable

7.1.1 General

This subclause describes test methods that are specific to the optical fibres of the optical fibre submarine cable.

7.1.2 Test methods on optogeometric characteristics

This subclause describes specific test methods on optogeometric characteristics of the optical fibres of the optical fibre submarine cable.

7.1.2.1 Effective core area A_{eff}

Test methods for effective core area have not been determined yet. Further study is necessary for determining RTM and ATMs.

7.1.2.2 Non-linear coefficient n_2/A_{eff}

Several methods have been proposed for measurement of non-linear coefficient, including:

- Self-Phase Modulation (SPM) method;
- Cross-Phase Modulation (XPM) method;
- Self-Compensated Interferometric (SCI) method;
- Four-Wave Mixing (FWM) method.

However, test methods for non-linear coefficient have not been determined yet. Further study is necessary for determining RTM and ATMs.

7.1.3 Test methods on transmission characteristics

This subclause describes specific test methods on transmission characteristics of the optical fibres of the optical fibre submarine cable.

7.1.3.1 Polarization Mode Dispersion (PMD)

There are several methods to measure PMD of the fibres of the optical fibre submarine cable.

Some of the measurement methods belong to the measurement in time domain such as:

- interferometric methods (air path reference type, reference fibre type).

The other measurement methods are measurement in frequency domain such as:

- fixed analyser method;
- Poincaré sphere method;
- State-Of-Polarization (SOP) method;
- Jones matrix method.

RTMs and ATMs for measurement of PMD have not been determined yet, and they are now under study.

7.2 Tests on the optical fibre submarine cable

The purpose of the tests is to quantify the performance of a specified design of submarine cable under typical installation, service and recovery conditions.

The history and make-up of samples prior to testing must be representative of the cable state expected in practice; for example, the samples must:

- have undergone coiling and uncoiling several times, taking into account the minimum specified coiling diameter of the cable design;
- include fibre splices as appropriate;
- contain joints, terminations etc.

The tests described are intended primarily for qualification purposes although some tests may form part of standard production quality assurance procedures. Typical test programme structures, for repeated and unrepeated cables, are provided in 6.2; these include the recommended test sample make-up.

The successful installation/repair of a cable system can be taken to qualify the system components *only* to the level of the conditions prevailing during installation/repair; worst-case conditions may not have been encountered in such instances. Supplementary tests or specific test conditions should be implemented, if necessary, to assure that the cable system offered is fit for the purpose intended.

Test acceptance

The acceptance criteria for a test is governed by the planned system specification.

Safe working practice

This Recommendation quantifies the typical performance of a cable and its accessories. Compliance to this Recommendation does not in itself guarantee safe working practice during cable installation/repair; this is under the sole control of the installer. This Recommendation can, however, be used to identify the cable safety margin, as indicated in Appendix I.

Interpretation of terms

The definition of the terms "cable safety margin", "NTTS" and other terms relevant to this Recommendation, are given in Recommendation G.972. (Definition of terms relevant to optical fibre submarine cable systems.) Further details for interpretation are provided in Appendix I.

7.2.1 Transmission performance

7.2.1.1 Manufactured cable loss

Objective

- To prove that the cable attenuation of an assembled cable section can satisfy system margin requirements.

Transmission tests can be performed on manufactured cable subsections; attenuation measurements are systematically performed during production stages. Excess loss due to repairs and ageing (from hydrogen, nuclear radiation etc.) must be separately evaluated as part of the system margin analysis.

Test method

Fibre attenuation can be measured using appropriate commercially available equipment. Fibre attenuation is preferably measured in accordance with Recommendation G.650.

Test conditions

Measurements are preferably carried out within a specified temperature range in accordance with Recommendation G.650.

7.2.1.2 Cabled fibre strain

Objective

- To prove that the level of residual fibre underlength (strain) or overlength (excess) falls within required cable design limits.

Fibre length measurement forms part of the design qualification process. Supplementary factory measurements may be carried out for quality assurance purposes.

Test method

Fibre length (strain) can be measured using appropriate commercially available equipment. Fibre underlength or overlength can be determined by comparison with equivalent cable length measurements.

Test conditions

Measurements are preferably carried out within a specified temperature range in accordance with the cable temperature specification.

7.2.1.3 Temperature stability

Objectives

- To prove that the optical characteristics of the cable are not modified by transportation, service or storage temperature ranges.
- To determine any specific transportation or storage requirements necessary to ensure the above.

Test method

The cable sample is cycled between specified temperatures considering the conditions of both sea sections and land sections, as installed and stored, (typically between -20°C and $+50^{\circ}\text{C}$). The following characteristics are evaluated with regard to the specified cable design:

- 1) the level of any optical attenuation increase;
- 2) the appearance of the tested cable sample(s) structure.

Test conditions

Optical attenuation and kingwire (or composite conductor) resistance, if applicable, are monitored throughout the test.

7.2.1.4 Hydraulic pressure resistance

Objective

- To prove that the cable can withstand, both optically and electrically, the maximum seabed pressure.

Test method

A length of cable is placed inside a pressure enclosure. Pressure terminations that allow the optical fibre package to exit are used to seal the sample ends. The pressure inside the enclosure is increased to a level simulating maximum seabed pressure. Optical attenuation is monitored throughout the test. The following characteristics are evaluated with regard to the specified cable design:

- 1) the level of any optical attenuation increase;
- 2) the appearance of the tested cable sample(s) structure;
- 3) the absence of water ingress in the test sample.

The integrity of the sample(s) after the pressure test may be confirmed by appropriate voltage testing.

Test conditions

The cable sample length should be based on the accuracy of the test equipment. Minimum test duration is typically 30 minutes or more; the test should be extended to 24 hours should any evidence of creep or added loss be detected. Subclauses 7.2.4.3 and 7.2.4.4 describe appropriate voltage tests.

7.2.2 Mechanical performance

7.2.2.1 Tensile test with twist restrained

Objectives

- To prove that the cable can withstand the maximum expected tensile load during laying and recovery with a known degree of safety.
- To prove that the optical fibres are not subjected to excessive strain either during load or after unload.
- To determine whether the performance of the cable under load would permit its reuse after a cable recovery operation.

Test method

Cable samples are terminated at each end with an anchoring device and installed onto a tensile rig. The fibre ends should be fixed around the anchoring devices in a manner that allows fibre strain to be exactly measured and end effects detected. The length of test cable should be sufficient to make end effects negligible and provide accuracy in measurement; multiple optical fibres may be joined together to increase the path length. The optical attenuation and fibre strain are continuously evaluated throughout the test. The tensile load and cable elongation are continuously measured during the test. The following characteristics are evaluated with regard to the specified cable design:

- 1) the level of any optical attenuation increase;
- 2) the appearance of the tested cable sample(s) structure;
- 3) the elongation stability of the cable under maximum load;

- 4) the load versus torque characteristics.

Test conditions

The cable is fixed in such a way that the cable will not twist during elongation. The cable is loaded to its Nominal Transient Tensile Strength (NTTS) and held for a short time, typically for a minimum of an hour. The test may be repeated several times to check for hysteresis effects. Separate tests may be carried for cable samples with and without joints.

7.2.2.2 Tensile test with torque minimized

Objectives

- To prove that the cable can withstand the maximum expected tensile load during laying and recovery with a known degree of safety.
- To prove that the optical fibres are not subjected to excessive strain either during loading or after unloading.

Test method

Cable samples are terminated at each end with an anchoring device and installed onto a tensile rig. The fibre ends should be fixed around the anchoring devices in a manner that allows fibre strain to be exactly measured and end effects detected. The length of test cable should be sufficient to make end effects negligible and provide accuracy in measurement; multiple optical fibres may be joined together to increase the path length. The optical attenuation and fibre strain are continuously monitored throughout the test. The tensile load, cable elongation and cable twist are continuously measured during the test. The following characteristics are evaluated with regard to the specified cable design:

- 1) the level of any optical attenuation increase;
- 2) the appearance of the tested cable sample(s) structure;
- 3) the elongation stability of the cable under maximum load;
- 4) the level of cable twist and cable/fibre strain under load and after unloading.

Test conditions

The cable is fixed in such a way that one end of the cable is free to twist. The cable is loaded to at least its design depth deployment tension and held for a short time, typically for a minimum of an hour. The test may be repeated several times to check for hysteresis effects. Separate tests may be carried out for cable samples with and without joints.

7.2.2.3 Tensile test with load to failure

Objectives

- To prove that the cable can withstand the maximum expected tensile load during laying and recovery with a known degree of safety.
- To prove that the cable does not fail at a load below its rated tensile strength.

Test method

Cable samples are terminated at each end with an anchoring device and installed onto a tensile rig. The length of test sample may be minimized on safety considerations, provided it is sufficient for accuracy in measurement. The tensile load and elongation of the cable are continuously measured during the test. The optical attenuation and fibre strain are monitored as far as possible during the test.

Test conditions

The cable is normally fixed in such a way that the cable will not twist during elongation. The cable is loaded up until failure occurs in any tensile member, leading to avalanche failure; this corresponds to the cable breaking load.

Cable safety margin

The cable safety margin is the difference in tensile load between the measured load at failure and the maximum installation/recovery load proposed by the installer. The cable safety margin may typically be expressed as a percentage of measured load at failure. Appendix I provides further details.

7.2.2.4 Mechanical fatigue test

Objective

- To prove that the cable can withstand a periodic load equivalent to that typically experienced in a shipboard cable repair.

Test method

Cable samples are terminated at each end with an anchoring device and installed onto a tensile rig, which preferably includes a sheave. The cable load is cycled between low load and high load, simulating the effect of cables movement (due to wave motion) on the suspended cable at its maximum design depth under worst weather conditions. Optical attenuation and tensile load are monitored throughout the test. Simulated design depth and weather conditions are recorded. The following characteristics are evaluated with regard to the specified cable design:

- 1) the level of any optical attenuation increase;
- 2) the appearance and inter-layer adhesion level of the tested cable sample(s) structure.

Test conditions

The length of test cable should be sufficient to make end effects negligible and provide accuracy in measurement; multiple optical fibres may be joined together to increase the path length. The number of cycles should simulate the expected shipboard repair time and the expected sea wave cycle time, which should be stated.

7.2.2.5 Sheave tests

Objective

- To prove that the cable can withstand normal bending around the sheave under the maximum expected tensile load during laying, holding and recovery.

Test method

Both ends of the cable sample are terminated, and the sample is placed in a tensile rig such that it contacts at least a quadrant of one (or more) sheave. The cable terminations are not allowed to rotate. The length of test cable should be sufficient to make end effects negligible and provide accuracy in measurement; multiple optical fibres may be joined together to increase the path length. The optical attenuation and tensile load are continuously measured during the test. The following characteristics are evaluated with regard to the specified cable design:

- 1) the level of any optical attenuation increase;
- 2) the appearance and inter-layer adhesion level of the tested cable sample(s) structure.

Test conditions

The cable is cycled relative to the sheave(s) at a constant speed and constant load for 30-50 cable traverses at a low load corresponding to the cable's maximum deployment load. The load is then raised to a high load equivalent to the recovery tension on the cable at its maximum design depth under worst weather conditions; it is then subjected to at least three additional cable traverses. The diameter of the sheave, typically 2.5 m-3.0 m, should be stated.

7.2.3 Handling performance

7.2.3.1 Crush resistance

Objective

- To prove that the cable can withstand asymmetric pressure resulting from storage in a holding tank, or from shipboard equipment, e.g. Draw Off/Hold Back (DOHB) engine.

Test method

A short cable sample, typically 5 m, is held in a horizontal press fixture which subjects it to load for a limited period. The load is applied over a cable length of at least 0.1 m and is recorded. Optical attenuation and press fixture displacement are monitored throughout the test. The following characteristics are evaluated with regard to the specified cable design:

- 1) the level of any optical attenuation increase;
- 2) the appearance and inter-layer adhesion level of the tested cable sample(s) structure; the integrity of the sample(s) may be confirmed by hydraulic pressure resistance testing and/or appropriate voltage testing. Note that testing should be performed if any significant permanent mechanical damage has been observed.

Test conditions

A load simulating the maximum force per unit length acting on the cable is applied to the test portion for at least one hour and is then released. The maximum force is that provided by the weight of a full cablesheet tank, typically a 10 m depth, acting on the bottom layer of cable, or that provided by shipboard machinery, whichever is greater.

7.2.3.2 Impact resistance

Objective

- To prove that the cable can withstand bump and impact during the manufacturing or laying operation.

Test method

A short cable sample, typically 5 metres, is laid on a smooth, flat steel plate. A steel cylinder is dropped on the sample from an adequate height. A low friction tube may be used for guiding the cylinder. Optical attenuation is monitored throughout the test. The following characteristics are evaluated with regard to the specified cable design:

- 1) the level of any optical attenuation increase;
- 2) the appearance and inter-layer adhesion level of the tested cable sample(s) structure; the integrity of the sample(s) may be confirmed by hydraulic pressure resistance testing and/or appropriate voltage testing. Note that testing should be performed if any significant permanent mechanical damage has been observed.

Test conditions

An X mm diameter cylinder of Y kg weight is dropped from a height of Z metres to impact at different points and orientations along the cable. For "lightweight" cables, the typical values of X, Y and Z are 50, 2 and 1 respectively; for armoured cables, the typical values of X, Y and Z are A, B and C respectively. The test should be repeated several times to ensure consistency.

7.2.3.3 Flexure resistance

Objective

- To prove that the cable can withstand the handling from factory to ship, tank to tank or ship to shore over its designed temperature range.

Test method

The cable sample is alternately bent between two test fixtures representing at least a quadrant of a sheave of typically 2-metre diameter. Optical attenuation is evaluated throughout the test. The ambient temperature is recorded. The following characteristics are evaluated with regard to the specified cable design:

- 1) the level of any optical attenuation increase;
- 2) the appearance and inter-layer adhesion level of the tested cable sample(s) structure.

Test conditions

The cable sample undergoes 50 flexures at room temperature. The sample is then subjected to 50 flexures at both a low temperature and a high temperature, corresponding to the designed temperature range of the cable. At extreme temperatures, outside the design range, the cable's flexure performance can sometimes be determined through appropriate temperature tests on components.

7.2.4 Reliability performance

7.2.4.1 Water ingress limitation

Objectives

- To quantify the water ingress limitation along the cable in the event of a cable break on the seabed.
- To prove that the maximum water ingress length is compliant with the design specification.

Test method

The maximum water ingress length is usually evaluated by one of two test methods, detailed below. If other conditions are used, e.g. shorter sample lengths or lower pressure levels, the test data should be extrapolated, with an appropriate explanation about extrapolation, so as to show that the cable is compliant with the design specification.

Test method 1

One end of the cable sample is sealed and the other end shielded from exposure to pressure through the use of special fixturing or a calibrated breaking disc. The cable sample is placed inside a large pressure enclosure which is then filled with water and pressurized. The cable sample is removed after a number of days and inspected internally along its length for signs of water; such inspection may be facilitated if fluorescent dye has previously been added to the pressure vessel water as the dye is simply revealed by UV light.

Test method 2

The cable sample is placed inside a long pressure enclosure with the far end open to water; the near cable end exits the enclosure via a special gland so that it is open to atmosphere. Hydraulic pressure is applied to the enclosure as quickly as possible; the time taken for water to pass through the sample to atmosphere is measured, the presence of water being detected electrically.

Test conditions

The cable sample is preferably 100 metres or more in length. Pressure corresponding to the maximum laying depth of the cable is introduced to the open face of the sample; the pressure is maintained for the number of days required to prove the specified water ingress limitation, typically 14 days. Should other test levels corresponding to specific system requirements be used, they should be recorded.

7.2.4.2 Corrosion test

Objectives

- To prove that the submersible plant can withstand long-term exposure to sea water.
- To prove that any corrosion present will not impair the mechanical, optical and electrical function of the plant.

The scope of the submersible plant includes cables, joints and terminations.

Test method

The submersible plant is immersed in sea water at an elevated temperature for a period of time. The plant is then inspected to determine the degree of corrosion and, if applicable, the build-up of hydrogen gas. A provision must be made for suitably sealing the cable ends prior to the test. If artificial sea water is used, its specification is to be stated.

Test conditions

Test conditions appropriate to accelerated ageing are under study; one proposal under consideration is to immerse test samples in aerated sea water at 50° C for 18 months.

7.2.4.3 High-voltage test

Objective

- To prove that a cable designed to allow power feed of repeaters or regenerators can withstand in-service electric field gradients over its lifetime.

Test method

A long cable is placed in a pool filled with conductive water at ground potential. A positive DC voltage is applied between the metallic conductor of the cable and water. No voltage breakdown must occur before the requirements of the reliability model are met.

Test conditions

The voltage applied follows the formula VT^k , where V is the service voltage, T is the test duration and k is a constant. The values of V and T selected for the test are based on the reliability model for cable and joints, taking into account the electrical loading that they will need to endure during their design lifetime. The acceleration factor k is empirically determined, and is specific to the insulation material used.

7.2.4.4 Insulation integrity test

Objectives

- To prove that the cable insulation is continuous to prevent internal crevice corrosion.
- To prove that the cable insulation will allow cable location through low tone electroding for cables designed with this feature.

Test method

A long cable is placed in a pool filled with water at ground potential. A positive DC voltage is applied between the metallic conductor of the cable and water. No voltage breakdown must be observed during the test.

Test conditions

The voltage applied and its duration are based on the level of insulation resistance that the cable will need during its lifetime.

7.2.5 Operational tests

7.2.5.1 Cable inter-layer adhesion test

Objective

- To prove that the cable elements have sufficient inter-layer adhesion to allow external gripping without damage.

Test method

The most appropriate cables for inter-layer adhesion tests are the deep water cables, i.e. lightweight (LW) and lightweight protected (LWP) cables. A nominal 150-250 mm cable sample is prepared in a manner that allows a length of insulation to be tested, typically 25 mm, after pre-exposing the strength member for gripping. The force required to initiate inter-layer movement between adjacent cable elements is evaluated with regard to the cable requirements.

Test conditions

The sample is placed on a tensile rig in such a manner that the strength member can be gripped and pulled whilst specific elements are prevented from movement. The pull force is increased until inter-layer movement occurs between the cable elements under test.

7.2.5.2 Cable stopper tests

Objective

- To prove that the cable can be gripped by stoppers under the worst weather conditions in which they would be used.

Test method

The cable samples are terminated at one end with an anchoring device and at the other end with a stopper positioned approximately 10 metres from the opposite end. The sample is installed on a tensile rig. The load on the sample is then increased to a high load equivalent to the tension on the cable at its maximum design depth under worst weather conditions. Optical attenuation is monitored throughout the test; the simulated design depth and weather conditions are recorded. The type of cable stopper used in the test is to be described, e.g. make, size, etc. The following characteristics are evaluated with regard to the specified cable design:

- 1) the level of any optical attenuation increase;

- 2) the displacement of the stopper on the cable;
- 3) the appearance and inter-layer adhesion level of the tested cable sample(s) structure;
- 4) cable rotation at stopper, if applicable.

Test conditions

The test duration is typically a minimum of 90 minutes.

7.2.5.3 Tests with installation equipment

Objectives

- To prove that the cable and joints can be handled by conventional installation equipment.
- To show that the cable can be deployed through the installation equipment without slippage occurring between the cable and equipment, and without discernible evidence of cable damage.

Test method

The test samples are prepared with an anchoring device at one end to allow the jointed cable to be pulled against the installation equipment. The type of installation equipment used in the test is to be described, e.g. make, type of grip, etc.

Test conditions

The sample is pulled against the installation equipment at tensions simulating the maximum deployment load under the worst weather conditions. The load required to pull the cable through a static grip in the installation equipment should also be established for both wet and dry cable conditions.

NOTE – It is not usually necessary to carry out comprehensive tests with conventional installation equipment once initial cable compatibility has been established; other means may be more appropriate should further re-assurance be required.

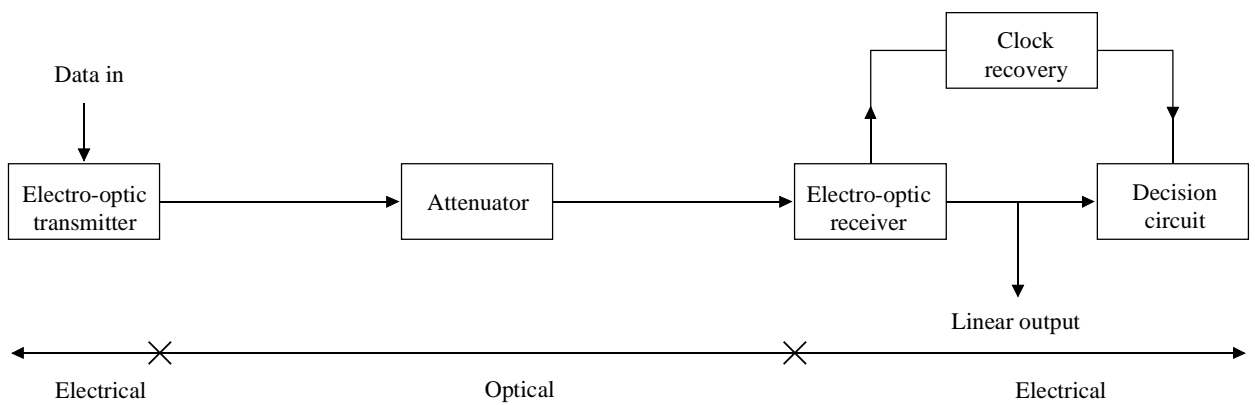
7.3 Tests on repeaters

(To be studied.)

7.4 Tests on the terminal transmission equipment

7.4.1 Transmission tests

(To be studied in relation to the general test set-up provided as an example in Figure 1.)



T1524810-96

Figure 1/G.976 – Possible position of linear output for terminal equipment test

7.5 Tests on the power feeding equipment

These tests are specific to the design of the PFEs and to the configuration of the link.

7.6 Tests on the link

7.6.1 Transmission tests

7.6.1.1 Measurement of the Q factor

Objectives

- To evaluate the Q factor of the end-to-end link. The Q factor evaluates the propagation impairments caused by optical amplification noise, non-linear effects, polarization effects and chromatic dispersion but also impairments caused by optical transmitter and receiver analogic functions. The Q factor is representative of the margins of the amplified submarine system.
- To deduce a theoretical bit-error rate (BER) of the system associated to the measurement time period.

Test method

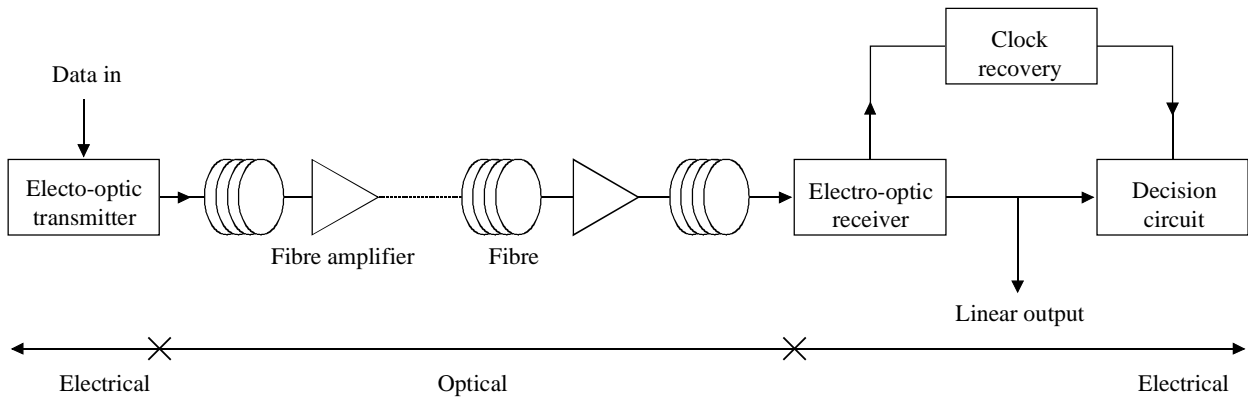
The Q factor is determined by analysing the linear received electrical signal prior to regeneration, in order to measure the distortion and noise caused by the propagation, as well as the optical emitter and receiver analogic functions (Figure 2). In other words, the quality of the received signal is to be analysed from a non-regenerated point of view.

One method of analysing the linear signal is presented in Figure 3. The output of the two decision circuits, one set with the optimal decision threshold and the other set with a variable one are compared through an exclusive OR gate. BER is plotted against threshold. Interpolation of the measured BER curves assuming Gaussian statistics gives the $\mu_{1,0}$ and $\sigma_{1,0}$ values. The theoretical minimum attainable BER is given by equation A-2 of the definition provided in Annex A. Other implementations are possible.

As polarization effects cause time varying effects, the measurement results must also include some kind of statistic evaluation. As an example, if the probability density of the Q statistic is Gaussian, a value of the mean measurement Q_{mean} minus five times its standard deviation ($Q_{\text{mean}} - 5\sigma$) will guarantee that the system will get under this value only with a probability of 10^{-7} .

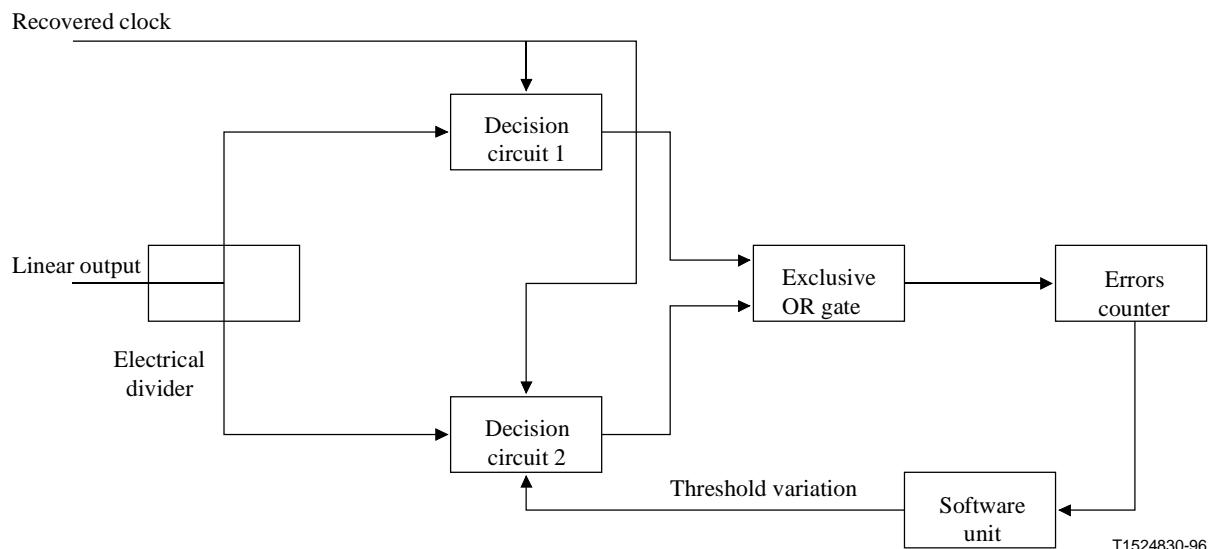
Test conditions

The Q factor is measured at the nominal input optical power at the receiver end. A set of measurements on a significant time span will give an idea of the mean value (Q_{mean}) and the standard deviation (σ) of the Q factor. In case of a simultaneous transmission at several wavelengths on the same fibre, this measurement needs to be performed on each wavelength.



T1524820-96

Figure 2/G.976 – Possible position of linear output for link test



T1524830-96

Figure 3/G.976 – Schematic of an implementation of Q measurement equipment

ANNEX A

Definition of terms relevant to the tests on optical fibre submarine cables

This annex defines several terms relevant to the tests on the optical fibres used in optical fibre submarine cables, and does so because definitions of these terms are not at present found in ITU-T Recommendations.

A.1 Q factor

The Q factor is the signal-to-noise ratio at the decision circuit in voltage or current units, and is typically expressed by:

$$Q = \frac{(\mu_1 - \mu_0)}{(\sigma_1 + \sigma_0)} \quad (\text{A-1})$$

where $\mu_{1,0}$, is the mean value of the marks/spaces voltages or currents, and $\sigma_{1,0}$ is the standard deviation.

The mathematic relations to BER when the threshold is set to the optimum value are:

$$BER = \frac{1}{2} \operatorname{erfc}\left(\frac{Q}{\sqrt{2}}\right) \cong \frac{1}{Q\sqrt{2\pi}} e^{-\frac{Q^2}{2}} \quad (\text{A-2})$$

with:

$$\operatorname{erfc}(x) = \frac{1}{\sqrt{2\pi}} \int_x^{\infty} e^{-\frac{\beta^2}{2}} d\beta \quad (\text{A-3})$$

The Q factor can be written in terms of decibels rather than in linear values:

$$Q \text{ (decibals)} = 20 * \operatorname{Log}_{10} Q \text{ (linear)} \quad (\text{A-4})$$

NOTE – Details are provided in "Margin measurements in optical amplifier systems", Bergano *et al*, IEEE Photonics Technology Letters, Volume 5, No. 3, pp. 304-306, March 1993.

APPENDIX I

Detailed definitions relevant to optical fibre submarine cable systems

I.1 The purpose of this appendix is to provide more detailed definitions, taking into account the condition of applicability of terms defined in Recommendation G.972.

I.1.1 cable safety margin

The cable safety margin is the difference in tensile load between the measured load at failure and the maximum installation/recovery load proposed by the installer. The cable safety margin may typically be expressed as a percentage of measured load at failure.

In some cases, the minimum safety margin to which installers will operate may be dictated by specific legislation in force in their parent country, e.g. safe working load for wire ropes.

In other cases, the safety margin may be based on the nominal transient tensile strength. However, this should be handled with care as the value ascribed to NTTTS depends on the cable design, i.e. its structure and materials.

I.1.2 nominal permanent tensile strength (NPTS)

The maximum permanent cable tension that does not significantly reduce the system performance, lifetime and reliability.

NPTS represents the maximum residual load, which may be permanently applied to the cable on the seabed after installation.

The determined value of NPTS should reference the following:

- test condition used, i.e. whether the cable ends were free to rotate or not;
- the fibre survival probability (indicating cable length and accommodated number of fibres) and fibre proof-test level;
- fibre and cable elongation at NPTS.

NOTE – Any residual elongation resulting from NTTS should be compatible with the stated value of NOTS and NPTS.

I.1.3 nominal operating tensile strength (NOTS)

The maximum average operational tension which the cable can support for the period required for marine operations (typically 48 hours) without significantly reducing the system performance, lifetime and reliability.

NOTS represents the maximum average operational tension during installation, recovery or repair.

The determined value of NOTS should reference the following:

- test condition used, i.e. whether the cable ends were free to rotate or not;
- the fibre survival probability (indicating cable length and accommodated number of fibres) and fibre proof-test level;
- fibre and cable elongation at NOTS.

NOTE – Any residual elongation resulting from NTTS should be compatible with the stated value of NOTS and NPTS.

I.1.4 nominal transient tensile strength (NTTS)

The maximum short-term tension that can be applied to the cable during an at-sea recovery operation over a cumulative period of approximately one hour without significantly reducing the system performance, lifetime and reliability.

NTTS represents the maximum transient or unexpected load that may be applied to the cable, and is normally limited to a percentage of the CBL from a mechanical safety point of view.

The determined value of NTTS should reference the following:

- test condition used, i.e. whether the cable ends were free to rotate or not;
- the fibre survival probability (indicating cable length and accommodated number of fibres) and fibre proof-test level;
- fibre and cable elongation at NTTS.

NOTE – Any residual elongation resulting from NTTS should be compatible with the stated value of NOTS and NPTS.

The value ascribed to NTTS depends upon many considerations, including:

- system reliability;
- required lifetime;
- residual fibre strain after laying;
- recovery tension;
- shipboard repair time;
- fibre proof-test;
- fibre intrinsic strength;
- fibre reliability model;
- mechanical stability of cable;

- mechanical design of cable ("loose" versus "tight").

For system and personnel safety, the NTTS value ascribed must take fibre reliability, mechanical stability and wire fatigue considerations into account, including tolerances.

ITU-T RECOMMENDATIONS SERIES

Series A	Organization of the work of the ITU-T
Series B	Means of expression: definitions, symbols, classification
Series C	General telecommunication statistics
Series D	General tariff principles
Series E	Overall network operation, telephone service, service operation and human factors
Series F	Non-telephone telecommunication services
Series G	Transmission systems and media, digital systems and networks
Series H	Audiovisual and multimedia systems
Series I	Integrated services digital network
Series J	Transmission of television, sound programme and other multimedia signals
Series K	Protection against interference
Series L	Construction, installation and protection of cables and other elements of outside plant
Series M	TMN and network maintenance: international transmission systems, telephone circuits, telegraphy, facsimile and leased circuits
Series N	Maintenance: international sound programme and television transmission circuits
Series O	Specifications of measuring equipment
Series P	Telephone transmission quality, telephone installations, local line networks
Series Q	Switching and signalling
Series R	Telegraph transmission
Series S	Telegraph services terminal equipment
Series T	Terminals for telematic services
Series U	Telegraph switching
Series V	Data communication over the telephone network
Series X	Data networks and open system communication
Series Z	Programming languages