



INTERNATIONAL TELECOMMUNICATION UNION

ITU-T

TELECOMMUNICATION
STANDARDIZATION SECTOR
OF ITU

G.831

(08/96)

SERIES G: TRANSMISSION SYSTEMS AND MEDIA,
DIGITAL SYSTEMS AND NETWORKS

Digital transmission systems – Digital networks – Network
capabilities and functions

**Management capabilities of transport networks
based on the Synchronous Digital Hierarchy
(SDH)**

ITU-T Recommendation G.831

(Previously CCITT Recommendation)

ITU-T G-SERIES RECOMMENDATIONS
TRANSMISSION SYSTEMS AND MEDIA, DIGITAL SYSTEMS AND NETWORKS

INTERNATIONAL TELEPHONE CONNECTIONS AND CIRCUITS	G.100–G.199
INTERNATIONAL ANALOGUE CARRIER SYSTEM	
GENERAL CHARACTERISTICS COMMON TO ALL ANALOGUE CARRIER-TRANSMISSION SYSTEMS	G.200–G.299
INDIVIDUAL CHARACTERISTICS OF INTERNATIONAL CARRIER TELEPHONE SYSTEMS ON METALLIC LINES	G.300–G.399
GENERAL CHARACTERISTICS OF INTERNATIONAL CARRIER TELEPHONE SYSTEMS ON RADIO-RELAY OR SATELLITE LINKS AND INTERCONNECTION WITH METALLIC LINES	G.400–G.449
COORDINATION OF RADIOTELEPHONY AND LINE TELEPHONY	G.450–G.499
TRANSMISSION MEDIA CHARACTERISTICS	G.600–G.699
DIGITAL TRANSMISSION SYSTEMS	
TERMINAL EQUIPMENTS	G.700–G.799
DIGITAL NETWORKS	G.800–G.899
General aspects	G.800–G.809
Design objectives for digital networks	G.810–G.819
Quality and availability targets	G.820–G.829
Network capabilities and functions	G.830–G.839
SDH network characteristics	G.840–G.899
DIGITAL SECTIONS AND DIGITAL LINE SYSTEM	G.900–G.999

For further details, please refer to ITU-T List of Recommendations.

ITU-T RECOMMENDATION G.831

MANAGEMENT CAPABILITIES OF TRANSPORT NETWORKS BASED ON THE SYNCHRONOUS DIGITAL HIERARCHY (SDH)

Summary

This Recommendation describes the management requirements of the layered and partitioned SDH transmission networks defined in Recommendation G.803. These include the path management processes and the interfacing requirements for interworking across administrative domain boundaries both within a single network operator's network and between networks operated by different network operators. The technical details to implement these requirements will be found in other Recommendations.

Source

ITU-T Recommendation G.831 was revised by ITU-T Study Group 13 (1993-1996) and was approved under the WTSC Resolution No. 1 procedure on the 27th of August 1996 .

FOREWORD

ITU (International Telecommunication Union) is the United Nations Specialized Agency in the field of telecommunications. The ITU Telecommunication Standardization Sector (ITU-T) is a permanent organ of the ITU. The ITU-T is responsible for studying technical, operating and tariff questions and issuing Recommendations on them with a view to standardizing telecommunications on a worldwide basis.

The World Telecommunication Standardization Conference (WTSC), which meets every four years, establishes the topics for study by the ITU-T Study Groups which, in their turn, produce Recommendations on these topics.

The approval of Recommendations by the Members of the ITU-T is covered by the procedure laid down in WTSC Resolution No. 1.

In some areas of information technology which fall within ITU-T's purview, the necessary standards are prepared on a collaborative basis with ISO and IEC.

NOTE

In this Recommendation, the expression "Administration" is used for conciseness to indicate both a telecommunication administration and a recognized operating agency.

INTELLECTUAL PROPERTY RIGHTS

The ITU draws attention to the possibility that the practice or implementation of this Recommendation may involve the use of a claimed Intellectual Property Right. The ITU takes no position concerning the evidence, validity or applicability of claimed Intellectual Property Rights, whether asserted by ITU members or others outside of the Recommendation development process.

As of the date of approval of this Recommendation, the ITU had/had not received notice of intellectual property, protected by patents, which may be required to implement this Recommendation. However, implementors are cautioned that this may not represent the latest information and are therefore strongly urged to consult the TSB patent database.

© ITU 1997

All rights reserved. No part of this publication may be reproduced or utilized in any form or by any means, electronic or mechanical, including photocopying and microfilm, without permission in writing from the ITU.

CONTENTS

	Page
1 Introduction.....	1
1.1 Structure of Recommendation	1
1.2 References.....	1
1.3 Abbreviations.....	1
2 Management capabilities	2
2.1 Categories of management capability.....	2
2.2 Management processes of SDH networks	2
3 SDH access point identification.....	3
4 SDH trail management functions.....	4
4.1 Introduction.....	4
4.2 Trail set-up.....	4
4.2.1 General path set-up control structure.....	4
4.2.2 Section set-up	5
4.3 SDH trail validation	5
4.4 SDH trail monitoring	5
4.5 SDH trail protection and restoration.....	6

Recommendation G.831

MANAGEMENT CAPABILITIES OF TRANSPORT NETWORKS BASED ON THE SYNCHRONOUS DIGITAL HIERARCHY (SDH)

(revised in 1996)

1 Introduction

It is of prime importance for the design and operation of SDH telecommunication networks in multi-vendor, multi-technology and multi-operator environment to develop commonality of processes and parameters for management standards including in-service performance management, operations and maintenance management.

1.1 Structure of Recommendation

Clause 2 identifies the management capabilities of SDH. Clause 3 gives the requirements of access point identifiers and recommends a format for the identifiers. Clause 4 contains information on SDH trail management functions.

1.2 References

The following ITU-T Recommendations and other references contain provisions which, through reference in this text, constitute provisions of this Recommendation. At the time of publication, the editions indicated were valid. All Recommendations and other references are subject to revision; all users of this Recommendation are therefore encouraged to investigate the possibility of applying the most recent edition of the Recommendations and other references listed below. A list of the currently valid ITU-T Recommendations is regularly published.

- CCITT Recommendation E.164 (1991), *Numbering plan for the ISDN era.*
- ITU-T Recommendation G.707 (1996), *Network node interface for the Synchronous Digital Hierarchy (SDH).*
- ITU-T Recommendation G.774 (1996), *Synchronous Digital Hierarchy (SDH) management information model for the network element view.*
- ITU-T Recommendation G.784 (1994), *Synchronous Digital Hierarchy (SDH) management.*
- ITU-T Recommendation G.803 (1993), *Architectures of transport networks based on the Synchronous Digital Hierarchy (SDH).*
- ISO 3166: 1993, *Codes for the representation of names of countries.*
- ITU-T Recommendation M.3010 (1996), *Principles for a telecommunications management network.*
- CCITT Recommendation T.50 (1992), *International Reference Alphabet (IRA) (Formerly International Alphabet No. 5 or IA5) – Information technology – 7-bit coded character set for information interchange.*

1.3 Abbreviations

This Recommendation uses the following abbreviations.

API Access Point Identifiers

IRA	International Reference Alphabet
ISDN	Integrated Services Digital Network
SDH	Synchronous Digital Hierarchy
TMN	Telecommunications Management Network
VC-n	Virtual Container-n
VC-n-xc	Virtual Container-n x times concatenated

2 Management capabilities

2.1 Categories of management capability

The SDH will enable a greater degree of automation in the management of transmission networks and of the fabric which supports them. Management capabilities fall broadly into three categories from the viewpoint of standards support. These are:

- a) Those capabilities which must be standardized to allow automated interaction between the managed networks of different network operators.
- b) Those capabilities which should be standardized to simplify operations within the domain of a single operator who must obtain equipment from different vendors.
- c) Those capabilities which may be defined within a single management domain to optimize operations within that domain.

2.2 Management processes of SDH networks

This subclause introduces specific management capabilities and processes for SDH transport networks:

- i) The capability to set up a path between any client access points, across any domain and across any network operator boundaries. The client will generally be another network layer but may, in the case of a leased line, be an end user. The path may be:
 - a point-to-point Virtual Container-n (VC-n and VC-n-xc according to Recommendation G.707) path; or
 - a branch of a point-to-multipoint connection in the path layer network realized within, e.g. satellite subnetworks; or
 - a part of an asymmetrical connection in the path layer network.

The path may be a full time connection or a part time connection. This capability will have to operate to financial and time-to-deliver constraints and also be intelligent enough to ensure that it does not disrupt temporary usages of subsections such as restoration connections or even testing activities. The need for a competitive supply arrangement is left for further study.
- ii) The capability to set up a path will require access to:
 - remote activity monitoring features; and
 - inventory control facilities.
- iii) The capability to maintain the paths to a level of performance as agreed in the contract for supply of the network service.
- iv) The capability to continuously monitor and record the performance of the allocated paths:
 - a) for acceptance testing; and

- b) while in service to validate compliance to commitment of the required performance level.
- v) On a point-to-multipoint network, the capability to identify individual branches which are failing to meet their performance limits.
- vi) Restoration actions must be activated, if a transgression of the performance limit is detected.
- vii) The management system will require the capability to communicate securely with an external network operator or special domain management system to inform them that there is a problem.
- viii) The capability will be provided for simple remote maintenance of the fabric of the network including the identification and location of faulty equipment within an operator domain and at operator domain boundaries.
- ix) The capability will be provided to perform directly the simple remote maintenance action of individual network elements.
- x) The capability to generate resource utilization information to provide input to the billing process both within a domain and between network operators. This information will also assist with the:
 - planning of routes; and
 - inventory control.
- xi) The capability to support ancillary management functions as identified as being appropriate to SDH network management.

3 SDH access point identification

An essential requirement for successful management of SDH networks incorporating features such as point-to-point and point-to-multipoint paths is a unique means of identifying significant points in the network, e.g. access points. The features of Access Point Identifiers (APIs) are:

- each access point identifier must be globally unique in its layer network;
- where it may be expected that the access point may be required for path set-up across an inter-operator boundary, the access point identifier must be available to other network operators;
- the access point identifier should not change while the access point remains in existence;
- the access point identifier should be able to identify the country and network operator which is responsible for routing to and from the access point;
- the set of all access point identifiers belonging to a single administrative layer network should form a single access point identification scheme;
- the scheme of access point identifiers for each administrative layer network can be independent from the scheme in any other administrative layer network.

It is recommended that the VC-11, VC-12, VC-2, VC-2-xc, VC-3, VC-4 and VC-4-xc should each have the access point identification scheme bases on a tree-like format to aid routing control search algorithms. The access point identifier should be globally unambiguous.

The API shall begin with either the country code as defined in Recommendation E.164 or, the three alphabetic character country code as defined in ISO 3166.

The remainder of the API characters that follow the country code shall be a matter for the organization to whom the country code has been assigned, provided that uniqueness is guaranteed.

These characters may be any alpha-numeric characters as defined in Recommendation T.50 (International Reference Version – 7-bit coded character set for information interchange).

A similar access and test point identification scheme is required for the section layer to support point-to-point and point-to-multipoint paths and wide area multiplexors as used in satellite subnetworks.

The byte allocations for the transmission of the access point identifier at the section layer, higher-order path layer and lower-order path layer are given in Recommendation G.707.

4 SDH trail management functions

4.1 Introduction

Within an SDH administrative layer network, the primary management functions are to set up, validate, and monitor trails and protect or restore them if necessary. These management functions may be implemented by different subnetworks (e.g. satellite subnetwork) or in network controlled by different operators. However, the following Recommendations ensure that these management functions work successfully in the inter-operator environment.

The principle described in Recommendation G.784 for integration and interworking of subnetwork management systems must be adopted by all management systems. This includes the integration of SDH systems into the generic Telecommunications Management Network (TMN).

In general, each administrative path layer network is intended to be global with the possibility of establishing a trail between any two access points in that layer. Each administrative path layer requires a significant path set-up control system capable of working in the global, multi-operator context.

In general, each administrative section layer will not require the ability to connect any one access point to any other access point as the requirement on connectivity will be restricted by the availability of transmission media to the distant location.

4.2 Trail set-up

4.2.1 General path set-up control structure

Figure 1 illustrates the general control structure and information flows necessary for multi-operator path set-up. The control structure is characterized by processing functions and messaging between the processing functions. There are two basic types of messaging:

- messaging between levels of the control structure which pass information between a controlling process in the upper level and the controlled lower level;
- messaging within a level between the peer processing functions within a control level.

The control structure may be implemented in many ways and the structure shown in Figure 1 illustrates only essential information flows.

If the information flow crosses an external domain boundary, then a well-defined protocol must be used.

4.2.1.1 Intra-operator path set-up

Within the network of a single operator, there is considerable freedom in the choice of system architecture for path set-up. Three basic types are described below:

- a) *Centralized intra-operator path set-up* – This makes use of a single central processing facility in which all messaging is internal to the facility other than the final messages to the network elements. The messages to the network elements are described in Recommendations M.3010 and G.774. This is illustrated in Figure 2.
- b) *Step-by-step routing intra-operator path set-up* – This makes use of step-by-step routing protocols common to many existing signalling systems. In this case the peer messaging may be standardized and could use the same protocol as used for the inter-operator messaging. The control messaging between the levels is internal to the processing facility. The processing facilities may be remote from the network elements in which case the messages described in Recommendations M.3010 and G.774 should be used. However, as the implementation is distributed, the processing facility could be incorporated in the network element in which case the messaging to the network element is internal. This is illustrated in Figure 2.
- c) *Source routing intra-operator path set-up* – This makes use of a source routing protocol of the type described in ISO 8473. In this case the complete route across the subnetwork is decided at the first node and the message with the remote lower level control is external. The source routing cannot determine the route beyond the subnetwork and step-by-step routing must be used at this point. If the protocol used for inter-operator path set-up is capable of source routing, that protocol could be used. This messaging may be standardized and will have similar semantics to the messaging with the network elements. The messaging with the local lower level controller may be internal. If this controller resides inside a network element, the messaging with the network element will be internal. If the controller is remote from the network element, then the messaging described in Recommendations M.3010 and G.774 should be used. This is illustrated in Figure 2.

4.2.1.2 Inter-operator path set-up

In general, each network operator will have its own management and control system which will interact on a peer basis with that of other operators. The protocol between these control systems must be standard for each administrative path layer to enable inter-operator path set-up. Two possibilities for this protocol are a step-by-step routing protocol of the type used by signalling systems or the source routing protocol of the type described in ISO 8473. Step-by-step routing is a special case of source routing.

4.2.2 Section set-up

Section set-up is likely to require human action on fibre distribution frames and/or digital distribution frames. The data base required for this is not directly associated with the frame as the frame has no management interface. For this reason, there is no restriction on the location of any system controlling the section set-up.

4.3 SDH trail validation

Once the path or section has been set up, it should be validated that the correct access points have been connected. For every SDH administrative layer, the access point identifier should be sent in the in-band trail trace channel and validation by the far end. When the path or section is bidirectional, the validation should be done in both directions of transmission.

4.4 SDH trail monitoring

When the path or section has been set up and validated, it should be continuously monitored for integrity of transmission using the appropriate path overhead or section overhead and should be continuously compared to a threshold. If the performance falls below this threshold a defect is

declared. In addition, the actual performance can be periodically reported to a management system. A tandem connection part of the path or section may be monitored as well as the end-to-end path or section by any one of the four methods described in Recommendation G.803.

4.5 SDH trail protection and restoration

If a defect is declared on a protected end-to-end path or section, then action may be taken to re-establish its integrity. This will involve either protection or restoration procedures. Recommended protection architectures are described in Recommendation G.803. Restoration schemes may operate by re-establishing the path by using the path set-up control system.

Care must be taken to avoid conflict between the various protection and restoration systems which may coexist within a managed network. For example, protection or restoration in a network layer may need to be delayed for a period if the server layers can provide rapid response protection or restoration. Similarly, end-to-end subnetwork connection or trail protection or restoration should not be attempted until any constituent connection protection or restoration actions have been completed.

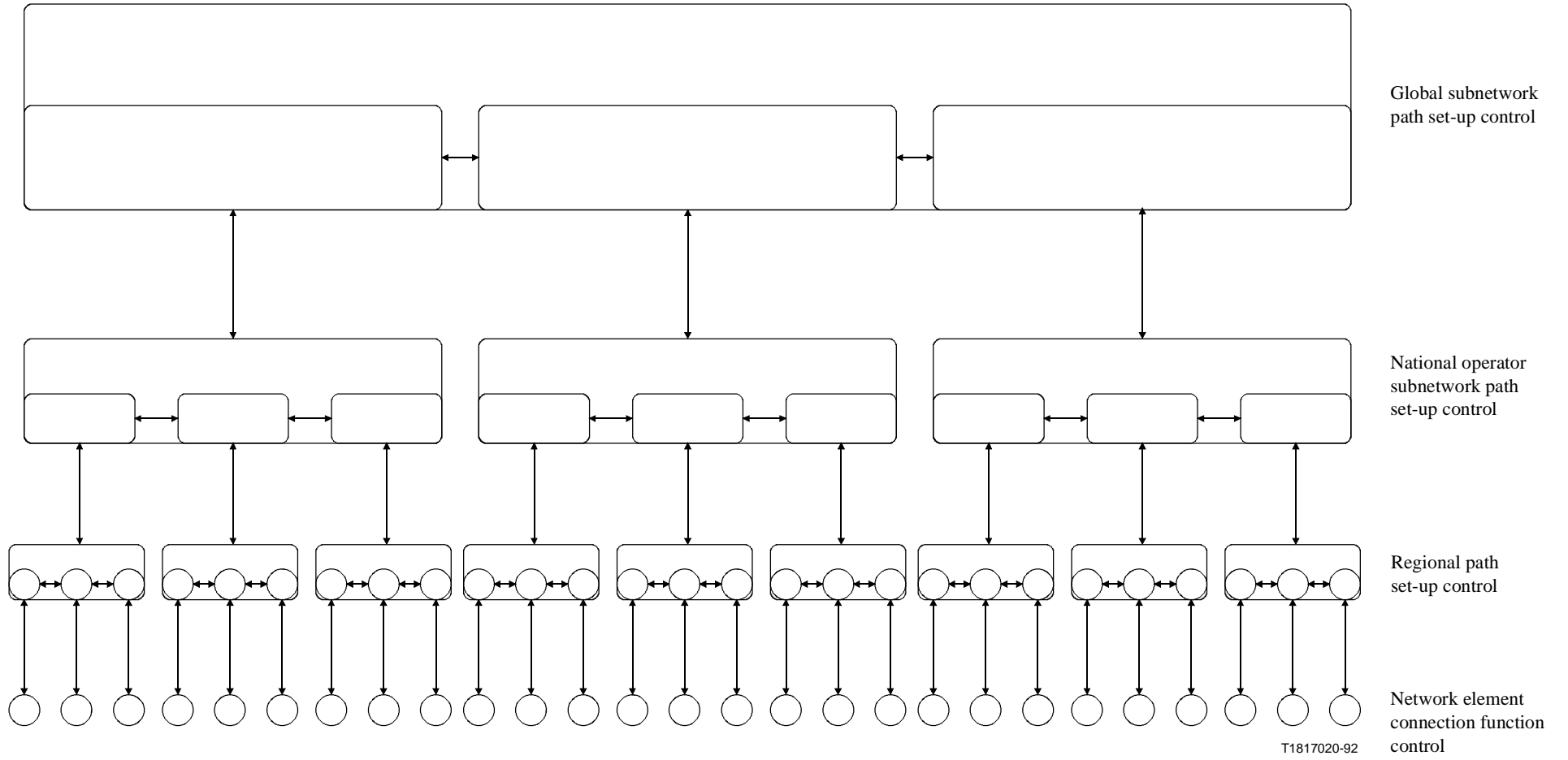


Figure 1/G.831 – Control structure for path set-up

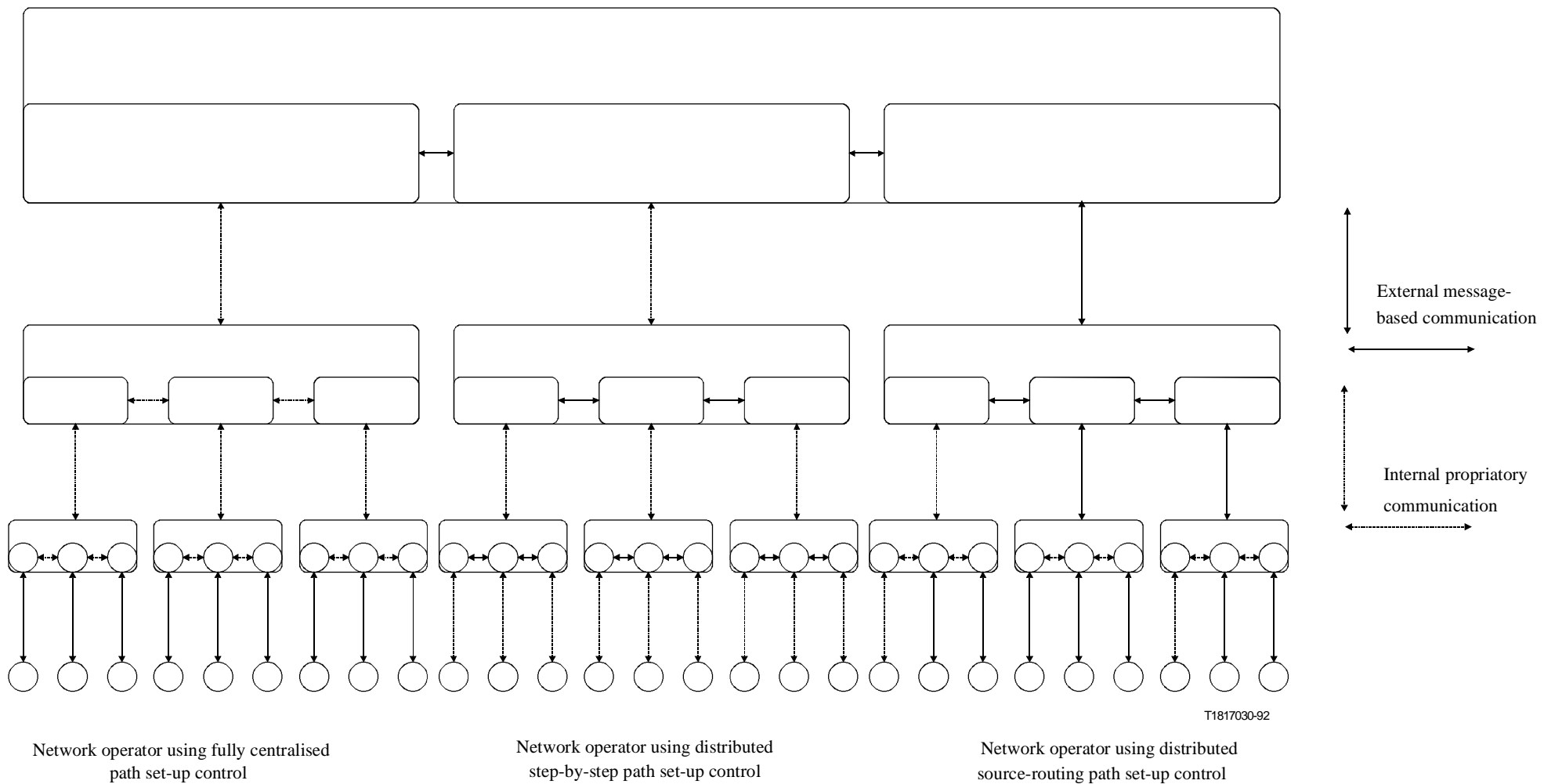


Figure 2/G.831 – Examples of specific path set-up control structures

ITU-T RECOMMENDATIONS SERIES

- Series A Organization of the work of the ITU-T
- Series B Means of expression: definitions, symbols, classification
- Series C General telecommunication statistics
- Series D General tariff principles
- Series E Overall network operation, telephone service, service operation and human factors
- Series F Non-telephone telecommunication services
- Series G Transmission systems and media, digital systems and networks**
- Series H Audiovisual and multimedia systems
- Series I Integrated services digital network
- Series J Transmission of television, sound programme and other multimedia signals
- Series K Protection against interference
- Series L Construction, installation and protection of cables and other elements of outside plant
- Series M Maintenance: international transmission systems, telephone circuits, telegraphy, facsimile and leased circuits
- Series N Maintenance: international sound programme and television transmission circuits
- Series O Specifications of measuring equipment
- Series P Telephone transmission quality, telephone installations, local line networks
- Series Q Switching and signalling
- Series R Telegraph transmission
- Series S Telegraph services terminal equipment
- Series T Terminals for telematic services
- Series U Telegraph switching
- Series V Data communication over the telephone network
- Series X Data networks and open system communication
- Series Z Programming languages