



INTERNATIONAL TELECOMMUNICATION UNION

ITU-T

TELECOMMUNICATION
STANDARDIZATION SECTOR
OF ITU

G.651

(02/98)

SERIES G: TRANSMISSION SYSTEMS AND MEDIA,
DIGITAL SYSTEMS AND NETWORKS

Transmission media characteristics – Optical fibre cables

**Characteristics of a 50/125 μm multimode
graded index optical fibre cable**

ITU-T Recommendation G.651

(Previously CCITT Recommendation)

ITU-T G-SERIES RECOMMENDATIONS
TRANSMISSION SYSTEMS AND MEDIA, DIGITAL SYSTEMS AND NETWORKS

INTERNATIONAL TELEPHONE CONNECTIONS AND CIRCUITS	G.100–G.199
INTERNATIONAL ANALOGUE CARRIER SYSTEM	
GENERAL CHARACTERISTICS COMMON TO ALL ANALOGUE CARRIER-TRANSMISSION SYSTEMS	G.200–G.299
INDIVIDUAL CHARACTERISTICS OF INTERNATIONAL CARRIER TELEPHONE SYSTEMS ON METALLIC LINES	G.300–G.399
GENERAL CHARACTERISTICS OF INTERNATIONAL CARRIER TELEPHONE SYSTEMS ON RADIO-RELAY OR SATELLITE LINKS AND INTERCONNECTION WITH METALLIC LINES	G.400–G.449
COORDINATION OF RADIOTELEPHONY AND LINE TELEPHONY	G.450–G.499
TESTING EQUIPMENTS	
TRANSMISSION MEDIA CHARACTERISTICS	
General	G.600–G.609
Symmetric cable pairs	G.610–G.619
Land coaxial cable pairs	G.620–G.629
Submarine cables	G.630–G.649
Optical fibre cables	G.650–G.659
Characteristics of optical components and sub-systems	G.660–G.699
DIGITAL TRANSMISSION SYSTEMS	
TERMINAL EQUIPMENTS	G.700–G.799
DIGITAL NETWORKS	G.800–G.899
DIGITAL SECTIONS AND DIGITAL LINE SYSTEM	G.900–G.999

For further details, please refer to ITU-T List of Recommendations.

ITU-T RECOMMENDATION G.651

CHARACTERISTICS OF A 50/125 μm MULTIMODE GRADED INDEX OPTICAL FIBRE CABLE

Summary

This Recommendation covers the geometrical and transmissive properties of multimode fibres having a 50 μm nominal core diameter and a 125 μm nominal cladding diameter. Test methods and the meanings of the terms used are in clauses 6 and 2 respectively.

Source

ITU-T Recommendation G.651 was revised by ITU-T Study Group 15 (1997-2000) and was approved under the WTSC Resolution No. 1 procedure on the 10th of February 1998.

FOREWORD

ITU (International Telecommunication Union) is the United Nations Specialized Agency in the field of telecommunications. The ITU Telecommunication Standardization Sector (ITU-T) is a permanent organ of the ITU. The ITU-T is responsible for studying technical, operating and tariff questions and issuing Recommendations on them with a view to standardizing telecommunications on a worldwide basis.

The World Telecommunication Standardization Conference (WTSC), which meets every four years, establishes the topics for study by the ITU-T Study Groups which, in their turn, produce Recommendations on these topics.

The approval of Recommendations by the Members of the ITU-T is covered by the procedure laid down in WTSC Resolution No. 1.

In some areas of information technology which fall within ITU-T's purview, the necessary standards are prepared on a collaborative basis with ISO and IEC.

NOTE

In this Recommendation, the expression "Administration" is used for conciseness to indicate both a telecommunication administration and a recognized operating agency.

INTELLECTUAL PROPERTY RIGHTS

The ITU draws attention to the possibility that the practice or implementation of this Recommendation may involve the use of a claimed Intellectual Property Right. The ITU takes no position concerning the evidence, validity or applicability of claimed Intellectual Property Rights, whether asserted by ITU members or others outside of the Recommendation development process.

As of the date of approval of this Recommendation, the ITU had not received notice of intellectual property, protected by patents, which may be required to implement this Recommendation. However, implementors are cautioned that this may not represent the latest information and are therefore strongly urged to consult the TSB patent database.

© ITU 1998

All rights reserved. No part of this publication may be reproduced or utilized in any form or by any means, electronic or mechanical, including photocopying and microfilm, without permission in writing from the ITU.

CONTENTS

	Page
1	Scope 1
2	Definitions 1
3	Fibre characteristics..... 3
3.1	Geometrical characteristics of the fibre..... 3
3.1.1	Core diameter 3
3.1.2	Cladding diameter 3
3.1.3	Concentricity error 4
3.1.4	Non-circularity 4
3.2	Optical properties of the fibre 4
3.2.1	Refractive index profile..... 4
3.2.2	Numerical aperture..... 4
3.3	Material properties of the fibre..... 4
3.3.1	Fibre materials..... 4
3.3.2	Protective materials..... 4
3.3.3	Proof test level 5
4	Factory length specifications..... 5
4.1	Attenuation coefficient..... 5
4.2	Baseband response 5
4.2.1	Modal distortion bandwidth: amplitude response 5
4.2.2	Modal distortion bandwidth: phase response..... 6
4.2.3	Chromatic dispersion 6
5	Elementary cable sections 6
5.1	Attenuation 6
5.2	Baseband response (overall –3 dB optical bandwidth) 7
5.2.1	Modal distortion bandwidth..... 7
6	Test methods 8
6.1	Reference test method and alternative test method for geometrical and optical parameters measurements..... 8
6.1.1	General 8
6.1.2	Intrinsic quality factor..... 8
6.1.3	Geometrical characteristics 8
6.2	The reference test methods for geometrical parameters and the alternative test method for numerical aperture: the refracted near-field technique 9
6.2.1	General 9
6.2.2	Maximum theoretical numerical aperture and refractive index difference ... 10

	Page
6.2.3 Test apparatus.....	11
6.2.4 Preparation of fibre under test.....	11
6.2.5 Procedure.....	11
6.2.6 Presentation of results	12
6.3 Alternative test method for geometrical parameters: the near-field technique	13
6.3.1 General	13
6.3.2 Test apparatus.....	13
6.3.3 Procedure.....	15
6.3.4 Presentation of the results	15
6.4 Reference test method for the numerical aperture: far-field light distribution.....	16
6.4.1 Object	16
6.4.2 Specimen preparation.....	16
6.4.3 Apparatus	16
6.4.4 Procedure.....	16
6.4.5 Results	17
6.4.6 Presentation of results	17
6.5 Reference test method and alternative test methods for attenuation measurements ..	18
6.5.1 Objectives.....	18
6.5.2 Definition	18
6.5.3 Description	18
6.5.4 Field of application	18
6.6 The reference test method: the cutback technique	19
6.6.1 Launching conditions	19
6.6.2 Apparatus and procedure.....	21
6.6.3 Presentation of results	22
6.7 First alternative test method: the insertion loss technique	22
6.7.1 Launching conditions	22
6.7.2 Apparatus and procedure.....	22
6.7.3 Presentation of results	24
6.8 Second alternative test method: the backscattering technique	24
6.8.1 Launching conditions	24
6.8.2 Apparatus and procedure.....	24
6.8.3 Presentation of results	25
6.9 Reference test method for baseband response measurements.....	26
6.9.1 Object	26
6.10 Reference test method	27
6.10.1 Test apparatus.....	27
6.10.2 Procedure.....	28

	Page
6.10.3 Presentation of results	29
Appendix I – Algorithm for geometrical parameters.....	30
I.1 Core centre and diameter.....	30
I.2 Cladding centre and diameter.....	30

Recommendation G.651

CHARACTERISTICS OF A 50/125 μm MULTIMODE GRADED INDEX OPTICAL FIBRE CABLE

(Malaga-Torremolinos, 1984; amended at Melbourne, 1988, Helsinki, 1993 and Geneva, 1998)

1 Scope

This Recommendation covers a graded index, multimode fibre, which may be used in the region of 850 nm or in the region of 1300 nm or alternatively may be used in both wavelength regions simultaneously. This fibre can be used for analogue and for digital transmission. Its geometrical, optical, transmission and mechanical characteristics are described below.

2 Definitions

2.1 alternative test method: A test method in which a given characteristic of a specified class of optical fibres or optical fibre cables is measured in a manner consistent with the definition of this characteristic and gives results which are reproducible and relatable to the reference test method and to practical use.

2.2 attenuation coefficient: In an optical fibre it is the attenuation per unit length.

NOTE – The attenuation is the rate of decrease of average optical power with respect to distance along the fibre and is defined by the equation:

$$P(z) = P(0)10^{-\alpha \frac{z}{10}}$$

where:

$P(z)$ is the power at distance z along the fibre;

$P(0)$ is the power at $z = 0$;

α is the attenuation coefficient in dB/km if z is in km.

From this equation the attenuation coefficient is:

$$\alpha = -\frac{10 \log_{10} \frac{P(z)}{P(0)}}{z}$$

This assumes that α is independent of z .

2.3 bandwidth (of an optical fibre): That value numerically equal to the lowest frequency at which the magnitude of the baseband transfer function of an optical fibre decreases to a specified fraction, generally to -3 dB optical (-6 dB electrical), of the zero frequency value.

NOTE – The bandwidth is limited by several mechanisms: mainly modal distortion and chromatic dispersion in multimode fibres.

2.4 chromatic dispersion: The spreading of a light pulse per unit source spectrum width in an optical fibre caused by the different group velocities of the different wavelengths composing the source spectrum.

NOTE – The chromatic dispersion may be due to one or more of the following: material dispersion, waveguide dispersion, profile dispersion. Polarization dispersion does not give appreciable effects in circularly-symmetric fibres.

2.5 chromatic dispersion coefficient: The chromatic dispersion per unit source spectrum width and unit length of fibre. It is usually expressed in ps/(nm · km).

2.6 cladding: The outermost region of constant refractive index in the fibre cross-section.

2.7 cladding mode stripper: A device or material that encourages the conversion of cladding modes to radiation modes.

2.8 core: The central region of an optical fibre through which most of the optical power is transmitted.

2.9 core area: The core diameter of a multimode optical fibre is defined from the refractive index profile as that diameter passing through the core centre and intersecting the index profile at the points n_3 such that:

$$n_3 = n_2 + k(n_1 - n_2)$$

where:

n_2 is the refractive index of the homogeneous cladding;

n_1 is the maximum refractive index; and

k is a constant commonly called the "k factor".

The refractive index profile can be measured by profiling techniques such as the Refracted Near-Field measurement (RNF) or Transverse Interferometry (TI), and by measurement of the near field of a fully-illuminated core such as the Transmitted Near-Field measurement (TNF).

It is recommended that curve fitting be used with both the index profiling and the TNF techniques to improve the measurement precision of the core diameter.

NOTE 1 – Typically, $k = 0.025$ for either the fitted profiling methods or the unfitted TNF method is equivalent to $k = 0$ for the fitted TNF method.

NOTE 2 – For fibres with refractive index profiles that have gradual transition region at their core/cladding boundary, a value of $k = 0.05$ for the unfitted TNF method is equivalent to $k = 0$ for the fitted TNF method.

2.10 core (cladding) centre: For a cross-section of an optical fibre, it is the centre of that circle which best fits the outer limit of the core area (cladding).

NOTE 1 – These centres may not be the same.

NOTE 2 – The method of best fitting has to be specified.

2.11 core (cladding) diameter: The diameter of the circle defining the core (cladding) centre.

2.12 core (cladding) diameter deviation: The difference between the actual and the nominal values of the core (cladding) diameter.

2.13 core/cladding concentricity error: The distance between the core centre and the cladding centre divided by the core diameter.

2.14 core (cladding) tolerance field: For a cross-section of an optical fibre, it is the region between the circle circumscribing the core (cladding) area and the largest circle, concentric with the first one, that fits into the core (cladding) area. Both circles shall have the same centre as the core (cladding).

2.15 maximum theoretical numerical aperture: A theoretical value of numerical aperture calculated using the values of refractive index of the core and cladding given by:

$$NA_{r \max} = \left(n_1^2 - n_2^2 \right)^{1/2}$$

where:

n_1 is the maximum refractive index of the core;

n_2 is the refractive index of the innermost homogeneous cladding.

NOTE – The relationship between NA (2.19) and $NA_{r \max}$ is given in 6.2.2.

2.16 mode filter: A device designed to accept or reject a certain mode or modes.

2.17 mode scrambler; mode mixer: A device for inducing transfer of power between modes in an optical fibre, effectively scrambling the modes.

NOTE – Frequently used to provide a mode distribution that is independent of source characteristics.

2.18 core (cladding) non-circularity: The difference between the diameters of the two circles defined by the core (cladding) tolerance field divided by the core (cladding) diameter.

2.19 numerical aperture: The numerical aperture NA is the sine of the vertex half-angle of the largest cone of rays that can enter or leave the core of an optical fibre, multiplied by the refractive index of the medium in which the vertex of the cone is located.

2.20 reference surface: The cylindrical surface of an optical fibre to which reference is made for jointing purposes.

NOTE – The reference surface is typically the cladding or primary coating surface. In rare circumstances it could be the core surface.

2.21 reference test method: A test method in which a given characteristic of a specified class of optical fibres or optical fibre cables is measured strictly according to the definition of this characteristic and which gives results which are accurate, reproducible and relatable to practical use.

2.22 (refractive) index profile: The distribution of the refractive index along a diameter of an optical fibre.

3 Fibre characteristics

The fibre characteristics dealt with in this clause are those which ensure the interconnection of fibres with acceptable low losses.

Only the intrinsic fibre characteristics (not depending on the cable manufacture) are recommended in this clause. They will apply equally to individual fibres, fibres incorporated into a cable wound on a drum, and fibres in installed cables.

3.1 Geometrical characteristics of the fibre

3.1.1 Core diameter

The recommended nominal value of the core diameter is 50 μm .

The core diameter deviation should not exceed the limits of $\pm 3 \mu\text{m}$.

3.1.2 Cladding diameter

The recommended nominal value of the cladding diameter is 125 μm .

The cladding diameter deviation should not exceed the limits of $\pm 3 \mu\text{m}$.

3.1.3 Concentricity error

The recommended concentricity error should be less than 6%.

3.1.4 Non-circularity

3.1.4.1 Core non-circularity

The recommended core non-circularity should be less than 6%.

3.1.4.2 Cladding non-circularity

The recommended cladding non-circularity should be less than 2%.

3.2 Optical properties of the fibre

3.2.1 Refractive index profile

For fibres dealt with in this Recommendation, the normalized index profile is expressed as:

$$d(x) = 1 - x^g$$

where:

$$d(x) = \frac{n(x) - n(1)}{n(0) - n(1)}$$

and: $n(x)$ = refractive index at x

$$x = r / a \quad (0 \leq r \leq a)$$

a = core radius

$$1 \leq g < 3$$

3.2.2 Numerical aperture

The optimum value of the Numerical Aperture (NA) will depend on the particular application for which the fibre is to be used and in particular on the source coupling efficiency required, the increased attenuation due to microbending effects which can be tolerated, and the overall baseband response required.

Nominal values commonly employed are 0.20 or 0.23.

Whatever actual value is employed should not differ from the chosen nominal value by more than 0.02.

3.3 Material properties of the fibre

3.3.1 Fibre materials

The substances of which the fibres are made should be indicated.

NOTE – Care may be needed in fusion splicing fibres of different substances. Provisional results indicate that adequate splice loss and strength can be achieved when splicing different high-silica fibres.

3.3.2 Protective materials

The physical and chemical properties of the material used for the fibre primary coating, and the best way of removing it (if necessary), should be indicated. In the case of a single-jacketed fibre, similar indications shall be given.

3.3.3 Proofstress level

The proofstress σ_p shall be at least 0.35 GPa, which corresponds to a proofstrain of approximately 0.5%. Proofstress is often specified as 0.69 GPa.

NOTE – The definitions of mechanical parameters are contained in 1.2/G.650. The test method is contained in 2.6/G.650.

4 Factory length specifications

Since the geometrical and optical characteristics of fibres are barely affected by the cabling process, this clause will give recommendations mainly relevant to transmission characteristics of cable factory lengths.

Transmission characteristics depend greatly on the wavelength used to convey the information.

Environmental and test conditions are paramount and are described in the guidelines for test methods.

The transmission characteristics of fibres will have a statistical probability distribution which will be a function of the design and manufacturing processes. The specification of limits for the transmission characteristics must therefore take this distribution into account. For instance, for certain applications a particular limit may not embrace 100% of the production and indeed may only represent a very small fraction of the total production. Economic considerations will play a large part in the deciding of specification limits for particular applications.

4.1 Attenuation coefficient

Optical fibre cables covered by this Recommendation generally have attenuation coefficients in the 850 nm region below 4 dB/km and in the 1300 nm region below 2 dB/km.

NOTE 1 – The lowest values of the attenuation coefficient depend on the fabrication process, fibre composition and fibre and cable design; values in the range of 2-2.5 dB/km in the 850 nm region and 0.5-0.8 dB/km in the 1300 nm region have been achieved.

NOTE 2 – In certain cases, fibres could be used in both wavelength regions.

4.2 Baseband response

The baseband response includes both modal distortion and chromatic dispersion effects. For certain applications the effects of chromatic dispersion are negligible and can be ignored.

The baseband response is presented in the frequency domain. Administrations wishing to use the time domain will still be able to do so by means of mathematical operations. For this purpose, the amplitude and phase response should be available.

By convention, the baseband response is linearly referred to 1 km.

4.2.1 Modal distortion bandwidth: amplitude response

The modal bandwidth amplitude response is specified in the form of –3 dB optical (–6 dB electrical) points of the bandwidth of the total amplitude/frequency curve corrected for chromatic dispersion. A more complete curve of the total bandwidth response should also be given.

Optical fibre cables covered by this Recommendation generally have normalized modal distortion bandwidths greater than 200 MHz · km in the 850 nm region and in the 1300 nm region, but not necessarily simultaneously.

NOTE 1 – The upper values of the normalized modal distortion bandwidth depend on the fabrication process, fibre composition and fibre and cable design; values greater than 1000 MHz · km in the 850 nm region and 2000 MHz · km in the 1300 nm region have been achieved.

NOTE 2 – In certain cases, fibres could be used in both wavelength regions.

4.2.2 Modal distortion bandwidth: phase response

No recommended value is given as phase response information is only required in special cases.

4.2.3 Chromatic dispersion

When required, the manufacturer of the optical fibres should indicate the chromatic dispersion coefficient values of the fibre type in the operating wavelength region(s). The test method is contained in 2.5/G.650.

NOTE 1 – For multimode fibres, the dominant chromatic dispersion mechanism is material dispersion.

NOTE 2 – Typical values of the chromatic dispersion coefficient for high grade silica optical fibres are the following.

Wavelength (nm)	Chromatic dispersion coefficient [ps/(nm · km)]
850	≤ 120
1300	≤ 6

NOTE 3 – The launch condition shall comply with the one used for the baseband response measurement, see 6.10.1.2.

5 Elementary cable sections

An elementary cable section as defined in Recommendation G.601 (Term 1008) usually includes a number of spliced factory lengths. The requirements for factory lengths are given in clause 4. The transmission parameters for elementary cable sections must take into account not only the performance of the individual cable lengths but also, amongst other factors, such things as splices, connectors (if applicable) and mode coupling effects which can affect bandwidth and attenuation.

In addition, the transmission characteristics of the factory length fibres as well as such items as splices and connectors, etc., will all have a certain probability distribution which often needs to be taken into account if the most economic designs are to be obtained. The following subclauses should be read with this statistical nature of the various parameters in mind.

5.1 Attenuation

The attenuation A of an elementary cable section is given by:

$$A = \sum_{n=1}^m \alpha_n \cdot L_n + a_s \cdot x + a_c \cdot y$$

where:

α_n is the attenuation coefficient of n^{th} fibre in elementary cable section;

L_n is the length of n^{th} fibre;

m is the total number of concatenated fibres in elementary cable section;

a_s is the mean splice loss;

- x is the number of splices in elementary cable section;
- a_c is the mean loss of line connectors;
- y is the number of line connectors in elementary cable section if provided.

NOTE 1 – The losses a_s and a_c of splices and line connectors are generally defined in equilibrium mode distribution conditions. In operating conditions, appreciable differences may occur.

NOTE 2 – The above expression does not include the loss of equipment connectors.

NOTE 3 – In the overall design of a system, allowance must be made for a suitable cable margin for future modifications of cable configurations (additional splices, extra cable lengths, ageing effects, temperature variations, etc.).

NOTE 4 – The mean loss is taken for the loss of splices and connectors. The attenuation budget used in designing an actual system should account for the statistical variations in these parameters.

5.2 Baseband response (overall –3 dB optical bandwidth)

The baseband response is given in the frequency domain and includes the effects of both modal distortion and chromatic dispersion and can be represented by the expression:

$$B_T = \left[B_{\text{modal}}^{-2} + B_{\text{chromatic}}^{-2} \right]^{-\frac{1}{2}}$$

where:

- B_T is the overall bandwidth (including modal distortion and chromatic dispersion);
- B_{modal} is the modal distortion bandwidth;
- $B_{\text{chromatic}}$ is the chromatic dispersion bandwidth (see Note 3).

NOTE 1 – Both the fibre modal distortion baseband response and the source spectrum are assumed to be Gaussian.

NOTE 2 – For certain applications the effect of chromatic dispersion is negligible, in which case chromatic dispersion can be ignored.

NOTE 3 – $B_{\text{chromatic}}$, the chromatic bandwidth, is inversely proportional to the section length and, if the source spectrum is assumed to be Gaussian, can be expressed as:

$$B_{\text{chromatic}}(\text{MHz}) = \left(\Delta\lambda \cdot D(\lambda) \cdot 10^{-6} \cdot L / 0.44 \right)^{-1}$$

where:

- $\Delta\lambda$ is the FWHM source line width (nm);
- $D(\lambda)$ is the chromatic dispersion coefficient [ps/(nm · km)];
- L is the section length (km).

5.2.1 Modal distortion bandwidth

The modal distortion bandwidth values for individual cable lengths in an elementary cable section are obtained from the relevant fibre specification. However, the overall modal distortion bandwidth of the elementary cable section may not be a linear addition of the individual responses due to mode coupling and other effects at splices and, sometimes, along the length of the fibre.

The modal distortion bandwidth for an elementary cable section is therefore given by:

$$B_{\text{modal total}} = \left\{ \sum_{1}^x B_{\text{modal}_n}^{-\frac{1}{\gamma}} \right\}^{-\gamma}$$

where:

$B_{\text{modal}_{\text{total}}}$ is the overall modal distortion bandwidth of an elementary cable section;

B_{modal_n} is the modal distortion bandwidth of n^{th} fibre in elementary cable section;

x is the total number of concatenated fibres in elementary cable section;

γ is the modal distortion bandwidth concatenation factor.

NOTE – The value of γ , the modal distortion bandwidth concatenation factor, is typically in the range 0.5 to 1.0 depending on the effects of mode coupling at splices, alpha profile compensation, wavelength of maximum bandwidth, etc. Values below this range can also be obtained in certain circumstances. For a given fibre, the appropriate value of γ which should be employed can be empirically derived, and can usually be obtained from the fibre/cable manufacturer.

6 Test methods

Both reference and alternative test methods are usually given in this clause for each parameter, and it is the intention that both the RTM and the ATM may be suitable for normal product acceptance purposes. However, when using an ATM, should any discrepancy arise, it is recommended that the RTM be employed as the technique for providing the definitive measurement results.

6.1 Reference test method and alternative test method for geometrical and optical parameters measurements

6.1.1 General

It is assumed that the geometrical and optical parameters, which are the subject of this Recommendation, would be measured only in the factory or in the laboratories of certain Administrations wishing to verify these parameters for system design or other purposes. Hence, it is anticipated that the measurements will be conducted either on sample fibre lengths or on samples extracted from cable factory lengths.

The core diameter and non-circularity are defined using the refractive index profile as a basis. The remaining parameters can be derived from the refractive index profile. Hence, it follows that all the geometrical and optical parameters that are the subject of this Recommendation, and their tolerances as appropriate, can be obtained by one single basic test.

6.1.2 Intrinsic quality factor

The maximum theoretical NA, core diameter, concentricity error, and core non-circularity deviate simultaneously in ways that can either compound or compensate one another. To properly account for these effects, a theoretical splice loss can be calculated, using the values of these geometrical and optical parameters measured by existing test methods. Either a Gaussian or steady-state distribution of power vs. angle may be assumed. The Intrinsic Quality Factor (IQF) can be calculated as the mean of the theoretical splice losses in the two directions when the test fibre is spliced to a nominal fibre with zero misalignment of the reference surfaces. A value of IQF of 0.27 dB is compatible with the individual tolerances recommended in clause 3. If any inconsistency appears between the IQF method and the check of the individual characteristics, the latter will constitute the reference.

6.1.3 Geometrical characteristics

The core diameter and the cladding diameter of the fibre under test, as well as the core and cladding centres, can be determined from an adequate number of points suitably distributed on the core/cladding and on the cladding boundaries, respectively.

If a raster scan is adopted, a higher number of points should be selected, in order to guarantee a sufficiently regular distribution.

The concentricity error can be evaluated from the distance between the core and cladding centres.

Core and cladding non-circularities can be determined from the tolerance field.

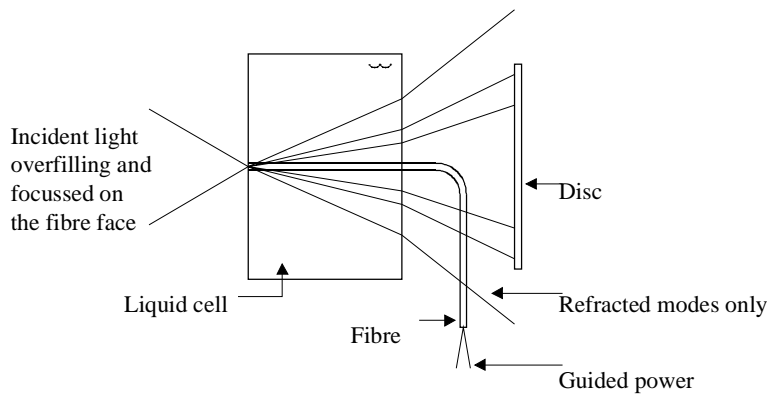
6.2 The reference test methods for geometrical parameters and the alternative test method for numerical aperture: the refracted near-field technique

6.2.1 General

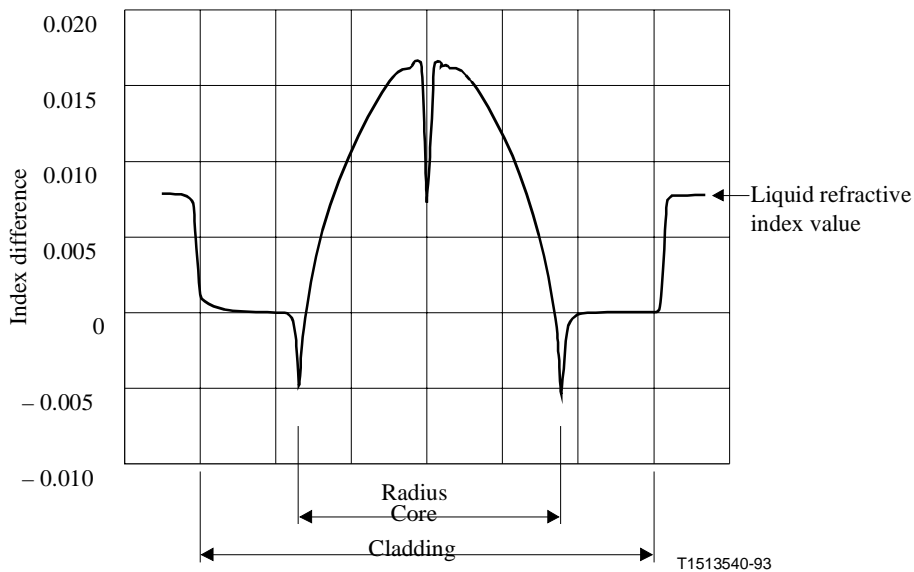
The refracted near-field measurement is straightforward, accurate and gives directly the refractive index variation across the entire fibre (core and cladding). The measurement is capable of good resolution and can be calibrated to give absolute values of refractive index.

A schematic diagram of the measurement method is shown in Figure 1 a). The technique involves scanning a focussed spot of light across the end of the fibre. The launch optics are arranged to overfill the NA of the fibre. The fibre end is immersed in a liquid of slightly higher index than the cladding. Part of the light is guided down the fibre and the rest appears as a hollow cone outside the fibre. A disc is placed on the axis of the core to ensure that only refracted light reaches the detector. The detector output is amplified and displayed as the y -axis of an x - y recorder; the x -axis drive is derived from monitoring the position of the focussed spot of light on the end of the fibre. A typical index profile of a multimode graded index fibre is shown in Figure 1 b).

The optical resolution and hence the ability to resolve detail in the profile depends on the size of the focussed spot of light. This depends both on the numerical aperture of the focussing lens and on the size of the disc. However, the position of sharp features can be resolved to much better accuracy than this, dependent on step size for stepper motor systems, or position monitoring accuracy of analogue drives.



a) Refracted near-field technique – Schematic diagram



b) Typical index profile of a graded index fibre obtained by the refracted near-field technique

Figure 1/G.651 – Refracted near-field technique

6.2.2 Maximum theoretical numerical aperture and refractive index difference

The maximum theoretical numerical aperture is defined as:

$$NA_{r\max} = \sqrt{n_1^2 - n_2^2}$$

The index difference is defined as:

$$\Delta n = n_1 - n_2$$

The relative index difference is defined as:

$$\Delta = (n_1 - n_2) / n_1$$

where:

n_1 is the maximum refractive index of the fibre core,

n_2 is the refractive index of the innermost cladding.

The values of n_1 and n_2 can be determined using the refracted near-field technique, hence $NA_{r\max}$, Δn and Δ .

The maximum theoretical numerical aperture $NA_{t\max}$, determined in this way, can be higher than the numerical aperture NA obtained at 850 nm, using the Reference Test Method. This may be related to the maximum theoretical numerical aperture, $NA_{t\max}$, obtained at 540 or 633 nm, using the Alternative Test Method, with the following expression:

$$NA = K \cdot NA_{t\max}$$

where $k = 0.95$ when the profile measurement is made at 540 nm and $k = 0.96$ when the measurement is made at 633 nm.

6.2.3 Test apparatus

A schematic diagram of the test apparatus is shown in Figure 2.

6.2.3.1 Source

A stable laser giving a few milliwatts of power in the TEM₀₀ mode is required.

A HeNe laser, which has a wavelength of 633 nm, may be used, but a correction factor must be applied to the results for extrapolation at different wavelengths. It shall be noted that measurement at 633 nm may not give complete information at longer wavelengths, in particular non-uniform fibre doping can affect the correction.

A quarter-wave plate is introduced to change the beam from linear to circular polarization because the reflectivity of light at an air-glass interface is strongly angle- and polarization-dependent.

A pinhole placed at the focus of lens 1 acts as a spatial filter.

6.2.3.2 Launch conditions

The launch optics, which are arranged to overfill the NA of the fibre, bring a beam of light to a focus on the flat end of the fibre. The optical axis of the beam of light should be within 1° of the axis of the fibre. The resolution of the equipment is determined by the size of the focussed spot, which should be as small as possible in order to maximize the resolution, e.g. less than 1.5 µm. The equipment enables the focussed spot to be scanned across the fibre diameter.

6.2.3.3 Liquid cell

The liquid in the liquid cell should have a refractive index slightly higher than that of the fibre cladding.

6.2.3.4 Sensing

The refracted light is collected and brought to the detector in any convenient manner provided that all the refracted light is collected. By calculation, the required size of disc and its position along the central axis can be determined.

6.2.4 Preparation of fibre under test

A length of fibre of about 1 metre is required.

Primary fibre coating shall be removed from the section of fibre immersed in the liquid cell.

The fibre ends shall be clean, smooth and perpendicular to the fibre axis.

6.2.5 Procedure

Refer to the schematic diagram of the test apparatus (Figure 2).

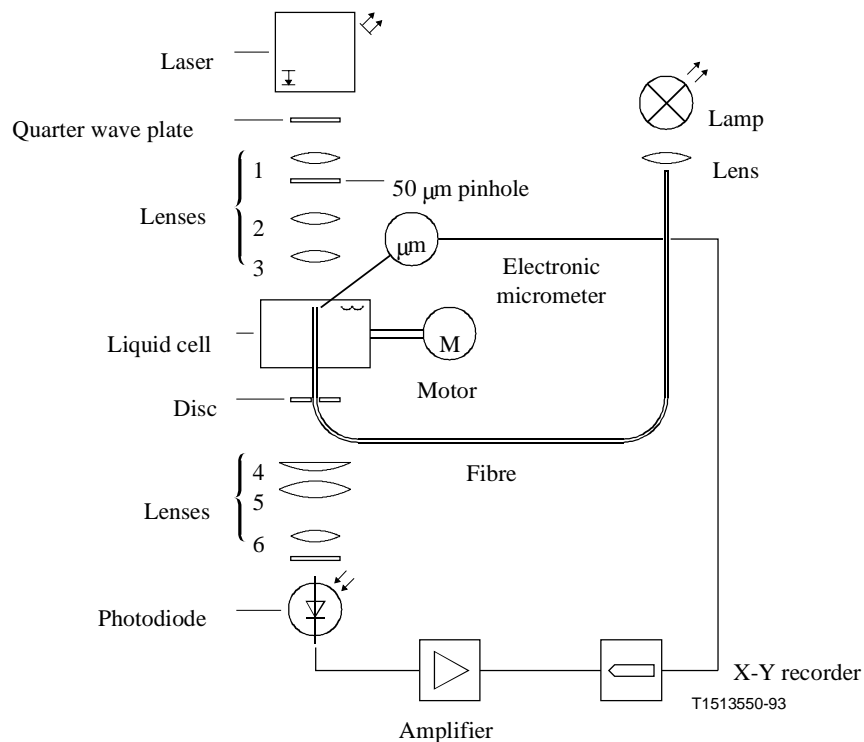


Figure 2/G.651 – Typical arrangement of the refracted near-filed test set-up

6.2.5.1 Fibre profile plot

The launch end of the fibre to be measured is immersed in a liquid cell whose refractive index is slightly higher than that of the fibre cladding. The fibre is back illuminated by light from a tungsten lamp. Lenses 2 and 3 produce a focussed image of the fibre.

The position of lens 3 is adjusted to centre and focus the fibre image, the laser beam is simultaneously centred and focussed on the fibre.

The disc is centred on the output cone. For multimode fibre the disc is positioned on the optic axis to just block the leaky modes. Refracted modes passing the disc are collected and focussed onto a photodiode.

The focussed laser spot is traversed across the fibre end and a plot of fibre refractive index variation is directly obtained.

6.2.5.2 Equipment calibration

The equipment is calibrated with the fibre removed from the liquid cell. During the measurement, the angle of the cone of light varies according to the refractive index seen at the entry point to the fibre (hence the change of power passing the disc). With the fibre removed and the liquid index and cell thickness known, this change in angle can be simulated by translating the disc along the optic axis. By moving the disc to a number of predetermined positions, one can scale the profile in terms of relative index. Absolute index, i.e. n_1 and n_2 can only be found if the cladding or liquid index is known accurately at the measurement wavelength and temperature.

6.2.6 Presentation of results

The following details shall be presented:

- a) Test set-up arrangement, wavelength correction procedure and indication of the scanning technique used.

- b) Fibre identification.
- c) Depending on specification requirements:
 - i) profiles through core cladding centres calibrated for the operating wavelength;
 - ii) profiles along the core major and minor axes calibrated for the operating wavelength;
 - iii) profiles along the cladding major and minor axes calibrated for the operating wavelength;
 - iv) raster scan across the entire fibre, if adopted;
 - v) core diameter¹;
 - vi) cladding diameter¹;
 - vii) core/cladding concentricity error;
 - viii) core non-circularity;
 - ix) cladding non-circularity;
 - x) maximum theoretical numerical aperture: $NA_{t\max}$;
 - xi) index difference: Δn ;
 - xii) relative index difference: Δ .
- d) Indication of accuracy and repeatability.
- e) Temperature of the sample and environmental conditions (if necessary).

6.3 Alternative test method for geometrical parameters: the near-field technique

6.3.1 General

The near-field technique can be used for the measurement of geometrical characteristics and of the refractive index profile of multimode optical fibres. Such measurements are performed in a manner consistent with the definition, and the results are reproducible and relatable to the reference test method and to practical use.

The measurement is based on the scanning of a magnified image of the output and of the fibre under test over a cross-section where the detector is placed.

When measuring the geometrical characteristics of the fibre, the four concentric circle near-field template can be applied to an enlarged image of the fibre detected with objective evaluation methods, suitable to obtain a high degree of accuracy and reproducibility. In particular the core diameter shall be measured taking into account the same k factor agreed for the reference test method.

6.3.2 Test apparatus

A schematic diagram of the test apparatus is shown in Figure 3.

¹ See Appendix I.

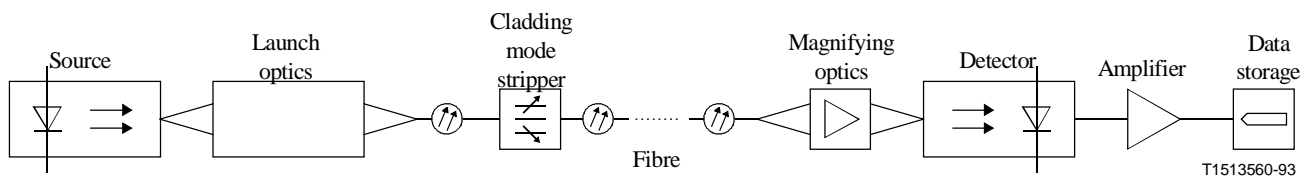


Figure 3/G.651 – Typical arrangement of the near-field test set-up

6.3.2.1 Light source

The light source shall be incoherent, adjustable in intensity and stable in position, intensity and wavelength over a time period sufficiently long to complete the measurement procedure. The Full Width Half Maximum (FWHM) spectral linewidth shall be recorded. A second light source can be used, if necessary, for illuminating the cladding.

6.3.2.2 Launching conditions

The launch optics, which will be arranged to overfill the fibre, will bring a beam of light to a focus on the flat input end of the fibre.

For 50/125 μm graded-index fibres, the overfill launching conditions are obtained with a light cone whose FWHM intensity measured from the near-field is greater than 70 μm and whose FWHM in the Numerical Aperture (NA) measured from the far-field is greater than an NA of 0.3.

6.3.2.3 Cladding mode stripper

A suitable cladding mode stripper shall be used to remove the optical power propagating in the cladding, and to ensure that all the leaky modes are stripped away from the fibre. When measuring the geometrical characteristics of the cladding only, the cladding mode stripper shall not be present.

6.3.2.4 Specimen

The specimen shall be a short length of the optical fibre to be measured. Primary fibre coating shall be removed from the section of the fibre inserted in the mode stripper. The fibre ends shall be clean, smooth and perpendicular to the fibre axis.

NOTE – This measurement can be done on very short pieces of fibre (e.g. a few centimetres). In this case, the launching conditions shall be adjusted to obtain a uniform intensity in the cladding below 15% of the maximum light intensity in the core.

6.3.2.5 Magnifying optics

The magnifying optics shall consist in an optical system (e.g. a microscope objective) which magnifies the specimen output near-field, focussing it onto the plane of the scanning detector. The numerical aperture and hence the resolving power of the optics shall be compatible with the measuring accuracy required, and not lower than 0.3. The magnification shall be selected to be compatible with the desired spatial resolution and shall be recorded.

6.3.2.6 Detector

A suitable detector shall be employed which provides the point-to-point intensity of the magnified near-field pattern. For example, any of the following techniques can be used:

- a) scanning photodetector with pinhole aperture;
- b) scanning mirror with fixed pinhole aperture and photodetector;
- c) scanning vidicon, charge coupled devices or other pattern/intensity recognition devices.

The detector shall be linear in behaviour (or shall be linearized) over the range of intensities encountered. The sensitive area of the detector shall be small with respect to the enlarged image of the output end of the fibre and shall be recorded.

6.3.2.7 Amplifier

An amplifier shall be employed in order to increase the signal level. The bandwidth of the amplifier shall be chosen according to the type of scanning used. When scanning the output end of the fibre with mechanical or optical systems, it is customary to modulate the optical source. If such a procedure is adopted, the amplifier should be linked to the source modulation frequency. The detecting system should be substantially linear in sensitivity.

6.3.2.8 Data storage

The measured near-field intensity distribution can be recorded and presented in a suitable form, according to the scanning technique and to the specification requirements.

6.3.3 Procedure

6.3.3.1 Equipment calibration

The magnification of the optical system shall be measured by scanning the length of a specimen whose dimensions are already known with suitable accuracy. This magnification shall be recorded.

6.3.3.2 Measurement

The launch end of the fibre shall be aligned to the launch beam, and the output end of the fibre shall be aligned to the optical axis of the magnifying optics. The focussed image of the output end of the fibre shall be scanned by the detector, according to the specification requirements. The focussing shall be performed with maximum accuracy, in order to reduce dimensional errors due to the scanning of a misfocussed image.

6.3.4 Presentation of the results

The following details shall be presented:

- a) Test set-up arrangement, with indication of the scanning technique used.
- b) Launching characteristics (dimension and NA of the launching cone).
- c) Wavelength and FWHM spectral linewidth of the source(s).
- d) Fibre identification and length.
- e) Type of cladding mode stripper (if applicable).
- f) Magnification of the apparatus.
- g) Type and dimensions of the scanning detector.
- h) Temperature of the sample and environmental conditions (if necessary).
- i) Indication of the accuracy and repeatability.
- j) Depending upon the specification requirements:
 - i) profiles through core and cladding centres;
 - ii) profiles along the core major and minor axes;
 - iii) profiles along the cladding major and minor axes;
 - iv) raster scan across the entire end face of the fibre, if adopted;

- v) resulting dimensional parameters, like: core and cladding diameters¹, core and cladding, non-circularities core/cladding concentricity error, etc.

6.4 Reference test method for the numerical aperture: far-field light distribution

6.4.1 Object

This measuring method is applied to graded index fibres in order to determine the numerical aperture by measuring the far-field light distribution.

6.4.2 Specimen preparation

From the fibre to be measured at one end, a sample of approximately 2 m length is taken. The sample shall be straight enough to avoid bending losses. The ends of the sample should be substantially clean, flat and perpendicular to the fibre axis.

6.4.3 Apparatus

6.4.3.1 Source

The light source shall be incoherent, adjustable in intensity and stable in position, intensity (variations of less than 10%) and wavelength over a time period sufficiently long to complete the measurement procedure. The centre wavelength shall be $850 \text{ nm} \pm 25 \text{ nm}$.

6.4.3.2 Detector

The detector must have a linear characteristic in the required measuring range. The output current of the detector must be linear to the received light power.

6.4.3.3 Launching conditions

See 6.3.2.2.

6.4.3.4 Cladding mode stripper

See 6.3.2.3.

6.4.3.5 Display

For example, XY-recorder, screen.

6.4.4 Procedure

6.4.4.1 Principle of measurement (Figure 4)

The radiant intensity (light power per solid angle element) is determined as a function of the polar angle of one plane of the fibre axis (radiation pattern). The distance d between the end of the sample and the detector must be large compared to the core diameter of the optical fibre.

Possible solutions are:

- sample fixed, large-area detector fixed;
- sample fixed, small-area detector linear displaceable;
- sample linear displaceable, small-area detector fixed;
- sample fixed, small-area detector angular displaceable;
- sample and rotatable, small-area detector fixed.

¹ See Appendix I.

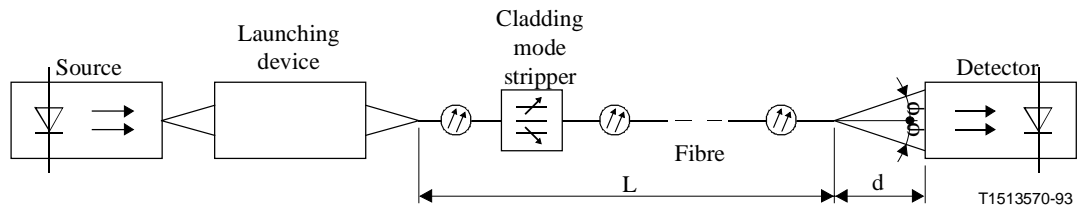


Figure 4/G.651 – Principle of measurement for far-field distribution

6.4.4.2 Preparation

The sample is fixed in the sample holder and the light is launched in accordance with 6.4.3.3.

6.4.4.3 Measurement

The radiant intensity is determined as a function of the polar angle in one plane of the fibre axis.

6.4.5 Results

Fibres covered by this Recommendation have a near parabolic refractive index profile. Therefore, for the launching conditions recommended in 6.4.3.3 (uniform mode distribution), the far-field radiant intensity curve can be approximated in the region above 10% of the maximum intensity by the following parabola:

$$P(\varphi) = P(0) \left[1 - (\sin \varphi / NA)^2 \right]$$

The angle φ is then determined by the point of intersection of this parabola with the abscissa. In general, it is sufficient to determine the angle φ by the 5% value of the maximum radiant intensity out of the full radiant intensity curve.

The numerical aperture is:

$$NA = \sin \varphi$$

6.4.6 Presentation of results

The following details shall be presented:

- a) Test set-up arrangement, with indication of the scanning technique used.
- b) Launching characteristics (dimension and NA of the launching cone).
- c) Wavelength and FWHM spectral width of the source.
- d) Type of cladding mode stripper (if used).
- e) Scanning conditions.
- f) Fibre identification and length.
- g) Temperature of the sample and environmental conditions, if necessary.
- h) Indication of the accuracy and repeatability.
- i) Resulting numerical aperture.

6.5 Reference test method and alternative test methods for attenuation measurements

6.5.1 Objectives

The attenuation tests are intended to provide a means whereby a certain attenuation value may be assigned to a fibre length such that individual attenuation values may be added together to determine the total attenuation of a concatenated length.

6.5.2 Definition

The **attenuation** $A(\lambda)$ at wavelength λ between two cross-sections 1 and 2 separated by distance L of a fibre is defined as:

$$A(\lambda) = 10 \log \frac{P_1(\lambda)}{P_2(\lambda)} \quad (\text{dB})$$

where $P_1(\lambda)$ is the optical power traversing the cross-section 1, and $P_2(\lambda)$ is the optical power traversing the cross-section 2 at the wavelength λ . For a uniform fibre under equilibrium condition, it is possible to calculate the attenuation per unit length, or the attenuation coefficient.

$$\alpha(\lambda) = \frac{A(\lambda)}{L} \left[\frac{\text{dB}}{\text{unit length}} \right]$$

which is independent of the chosen length of the fibre.

NOTE – Attenuation values specified for factory lengths should be measured at room temperature (i.e. a single value in the range +10° C to +35° C).

6.5.3 Description

Three methods have been suggested for attenuation measurements.

- 1) The cutback technique is a direct application of the definition, in which the power levels P_1 and P_2 are measured at two points of the fibre without change of input conditions. P_2 is the power emerging from the end of the guide and P_1 is the power emerging from a point near the input after cutting the fibre.
- 2) The insertion loss technique is in principle similar to the cutback technique, but P_1 is the power emerging from the output of the launching system. The measured attenuation is the sum of the attenuation of the inserted length of fibre and the attenuation caused by the connection between launching system and the fibre under test. It is necessary to correct the result for connection losses.
- 3) The backscattering technique is an indirect way of measuring the attenuation by the measurements of the backscattered powers traversing two cross-sections of the fibre.

6.5.4 Field of application

The cutback technique is generally recognized as yielding accurate results. In many situations its destructive nature is a disadvantage.

The insertion loss technique avoids cutting a part of the fibre at the expense of accuracy.

The backscattering technique is a single-ended, non-destructive method, but is limited in range and sometimes in accuracy.

Considering the advantages and disadvantages of the three methods, the cutback technique has been chosen as the reference test method.

6.6 The reference test method: the cutback technique

6.6.1 Launching conditions

6.6.1.1 Definition of launching conditions

The launching conditions are of paramount importance in meeting the stated objectives. Launching conditions should be such as to approximate Equilibrium Mode Distribution (EMD) which is understood to exist when the power distribution of field patterns at the output of the fibre is substantially independent of the length of the fibre.

6.6.1.2 Launching techniques

There are two commonly-used techniques to produce steady state launch conditions for attenuation measurements:

- a) mode filters;
- b) geometrical optics launch.

By proper care in the use of each, comparable results can be achieved. A generic example of the launching arrangement using a mode filter is given in Figure 5.

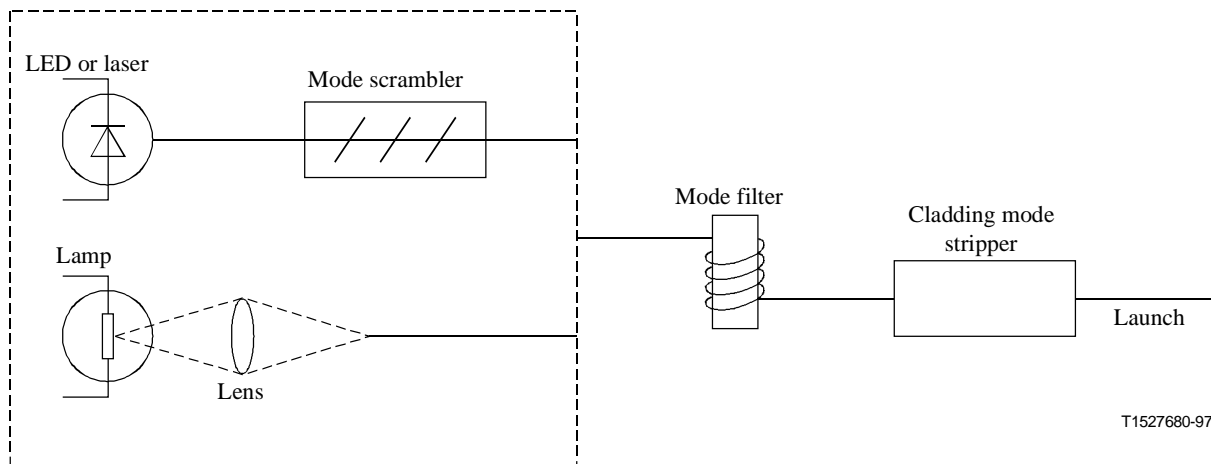


Figure 5/G.651 – General launch arrangement

6.6.1.2.1 Cladding mode stripper

The cladding mode stripper ensures that no radiation modes, propagating in the cladding region, will be detectable after a short distance along the fibre. The cladding mode stripper often consists of a material having a refractive index equal to or greater than that of the fibre cladding. This may be an index matching fluid applied directly to the uncoated fibre near its ends: under some circumstances, the fibre coating itself will perform this function.

6.6.1.2.2 Mode scrambler

An essentially uniform power distribution should be launched prior to the mode filter. For a source such as a LED or laser which does not do so, a mode scrambler should be used. The mode scrambler shall comprise a suitable fibre arrangement (for example a step-graded-step index profile sequence).

6.6.1.3 Examples of launching conditions

6.6.1.3.1 Mode filters

Two types of mode filters are commonly used:

– *Dummy fibre mode filter*

A fibre of a similar type to that of the test fibre is selected. The fibre should be long enough (typically equal to or greater than 1 km) so that the power distribution carried by the fibre is a steady state distribution.

– *Mandrel wrap mode filter*

The mode filter takes the form of a mandrel around which a few turns (typically three to five turns) of the fibre under test is wound with low tension. The mandrel diameter is selected to ensure that the transient modes excited in the test fibre have been attenuated to steady state. A far-field measurement shall be used to compare the power distribution exiting a long length of test fibre (greater than 1 km) that has been excited with a uniformly overfilling source, with the power distribution exiting a short length of the fibre with the mandrel applied. The mandrel diameter is selected to produce a far-field distribution in the short length that approximates the long length far field power distribution.

The numerical aperture of the radiation pattern exiting the short length should be 94% to 100% of the numerical aperture of the long length pattern.

The diameter of the mandrel may differ from fibre to fibre depending on fibre and coating type. Common prescriptions consist of diameters in the range of 15 mm to 40 mm with five turns of fibre within a 20 mm length of the mandrel.

6.6.1.3.2 Geometrical optics launch

A Limited Phase Space (LPS) launch is defined as a geometrically-produced launch which uniformly fills 70% of the test fibre's core diameter and 70% of the test fibre's numerical aperture. This is the maximal geometrically-launched power distribution which does not launch power into leaky, unbounded modes. Thus, for a 50/125 μm , 0.2 NA graded index multimode fibre, the LPS launch condition consists of a uniform 35 μm spot and 0.14 NA.

An example of optics necessary to produce the LPS launch is given in Figure 6. It is important to ensure that the axis of the launch beam is coincident with the axis of the fibre so that the spot and incident cone of light are centred on the core of the fibre. Also, the optical system shall be set up at the wavelengths of operation to ensure proper measurement.

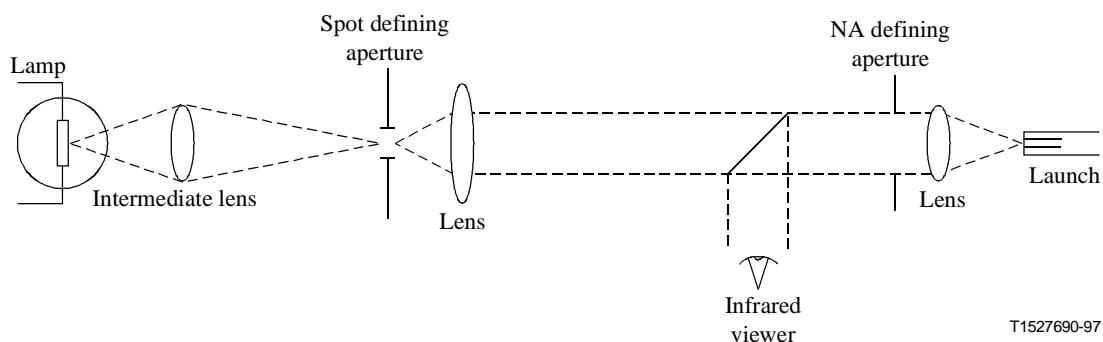


Figure 6/G.651 – Limited phase space launch optics

6.6.2 Apparatus and procedure

6.6.2.1 Types of measurement

Measurements may be made at one or more spot wavelengths, alternatively a spectral response may be required over a range of wavelengths. Diagrams of suitable test equipments are shown as examples in Figures 7 and 8.

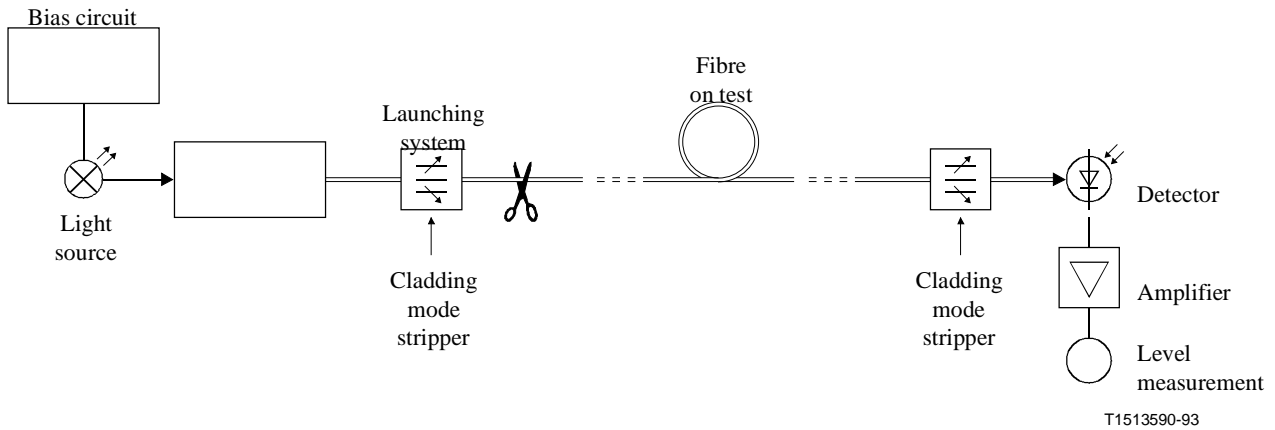


Figure 7/G.651 – Arrangement of test equipment to make spot loss measurement

Arrangement of test equipment used to obtain the loss spectrum

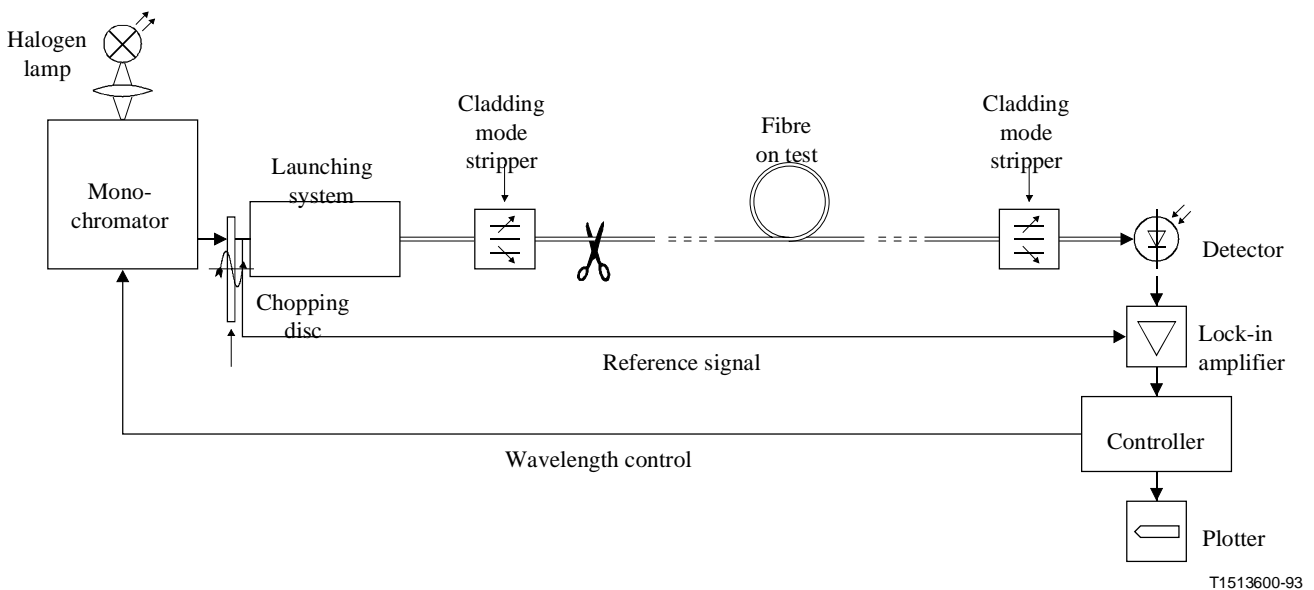


Figure 8/G.651 – The cutback technique

6.6.2.2 Optical source

A suitable radiation source shall be used, such as a lamp, laser or Light Emitting Diode (LED). The choice of source depends upon the type of measurement. The source must be stable in position, intensity and wavelength over a time period sufficiently long to complete the measurement procedure. The FWHM spectral line-width shall be specified such that it is narrow compared with any features of the fibre spectral attenuation.

The fibre shall be aligned to the launch cone, or connected coaxially to a launch fibre.

6.6.2.3 Optical detector

A large area detector shall be used so that all of the radiation in the output cone(s) is intercepted. The spectral response should be compatible with the spectral characteristics of the source. The detection must be uniform and the detection must have linear characteristics.

It is customary to modulate the light source in order to improve the signal/noise ratio at the receiver. If such a procedure is adopted, the detector should be linked to a signal processing system synchronous with the source modulation frequency. The detecting system should be substantially linear in sensitivity.

6.6.2.4 Launching set-up

See 6.6.1.

6.6.2.5 Procedure

- 1) The fibre under test is set in the measurement set-up. The output power P_2 is recorded.
- 2) Keeping the launching conditions fixed, the fibre is cut to the cutback length (for example, 2 m from the launching point). The output power P_1 from the cutback length of the fibre is recorded.
- 3) The attenuation of the fibre, between the points where P_1 and P_2 have been measured, can be calculated from the definition using P_1 and P_2 .

6.6.3 Presentation of results

The following details shall be presented:

- a) Measurement type, and characteristics.
- b) Launching technique.
- c) Test set-up arrangement.
- d) Temperature of the sample and environmental conditions (if necessary).
- e) Fibre identification.
- f) Length of sample and the cutback length.
- g) Attenuation measured (for the sample) at the selected wavelength.
- h) Attenuation quoted in dB. In some cases it is possible to convert it into attenuation coefficient in dB/km.
- i) For spectral loss measurements, the results should be presented as a plot of attenuation against wavelength.

6.7 First alternative test method: the insertion loss technique

6.7.1 Launching conditions

The required launching conditions are similar as those described under 6.6.1.

6.7.2 Apparatus and procedure

6.7.2.1 Types of measurements

Measurements may be done at one or more spot wavelengths, alternatively a spectral response may be required over a range of wavelengths. A diagram of a suitable test set-up is shown as an example in Figure 9 [a) calibration, b) measurement].

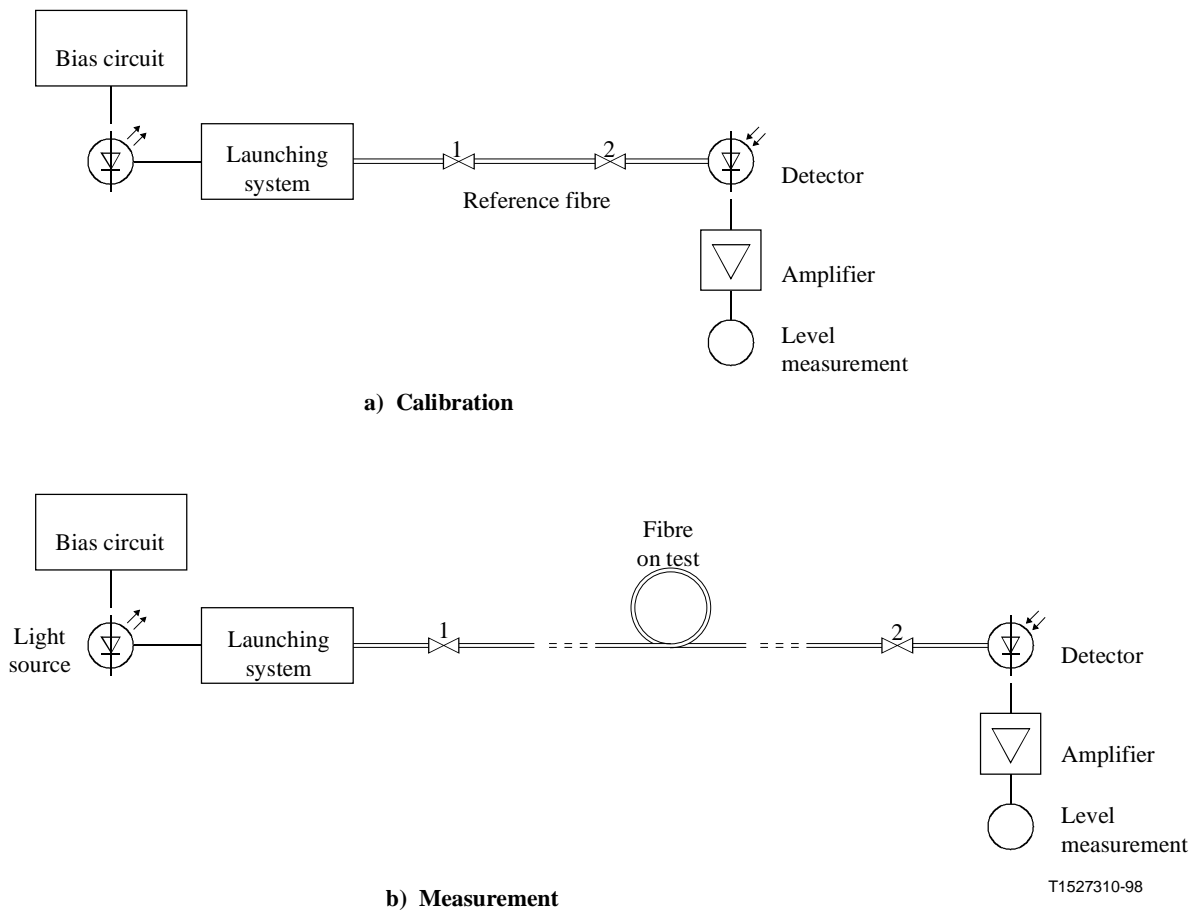


Figure 9/G.651 – The insertion loss technique

6.7.2.2 Optical source

See 6.6.2.2.

6.7.2.3 Optical detector

See 6.6.2.3.

6.7.2.4 Launching set-up

See 6.6.1.

6.7.2.5 Coupling device

The insertion loss technique requires the use of a very precise fibre to fibre coupling device to minimize the coupling losses and to ensure reliable results.

This coupling device can be a mechanical adjustment visually inspected or a connector with a core-to-core positioning.

6.7.2.6 Procedure

- 1) The measurement set-up is initially calibrated in order to obtain an input reference level P_1 .
- 2) The fibre under test is set in the measurement set-up and the coupling adjusted to give a maximum level on the optical detector. The output power P_2 is recorded.

- 3) An attenuation is calculated according to 6.5.2. This attenuation is the sum of the attenuation of the inserted length of fibre and the attenuation caused by the connection between the coupling device and the fibre under test.

6.7.3 Presentation of results

The following details shall be presented:

- a) Measurement type and characteristics.
- b) Launching technique.
- c) Test set-up arrangement.
- d) Temperature of the sample and environmental conditions (if necessary).
- e) Fibre identification.
- f) Length of sample.
- g) Attenuation measured (for the sample) at the selected wavelength.
- h) Connector loss with its tolerance.
- i) Attenuation quoted in dB. In some cases it is possible to convert it into an attenuation coefficient in dB/km.
- j) For spectral loss measurements, the results should be presented as a plot of attenuation versus wavelength.

6.8 Second alternative test method: the backscattering technique

NOTE – This test method describes a procedure to measure the attenuation of a homogeneous sample of optical fibre cable. The technique can be applied to check the optical continuity, physical defects, splices, backscattered light of optical fibre cables and the length of the fibre.

6.8.1 Launching conditions

For the attenuation measurement, the techniques described under 6.6.1 can be applied. For the other controls, the launching conditions may be dependent on the characteristics to be tested.

In all cases, in order to reduce the Fresnel reflections on the input of the fibre, various devices could be used such as polarizers or index matching materials. Insertion losses should be minimized.

6.8.2 Apparatus and procedure

6.8.2.1 General considerations

The signal level of the backscattered optical signal will normally be small and close to the noise level. In order to improve the signal-to-noise ratio and the dynamic measuring range, it is therefore customary to use a high power light source in connection with signal processing of the detected signal. Further, accurate spatial resolution may require adjustment of the pulse width in order to obtain a compromise between resolution and pulse energy. Special care should be taken to minimize the Fresnel reflections. An example of an apparatus is shown in Figure 10 a).

6.8.2.2 Optical source

A stable high power optical source of an appropriate wavelength should be used, such as a semiconductor laser. The wavelength of the source should be registered. The pulse width and repetition rate should be consistent with the desired resolution and the length of the fibre. Optical non-linear effects should be eliminated in the part of the fibre under test.

6.8.2.3 Optical detection

A detector shall be used so that the maximum possible backscattered power should be intercepted. The detector response shall be compatible with the levels and wavelengths of the detected signal. For attenuation measurements, the detector response shall be substantially linear.

A signal processing is required to improve the signal-to-noise ratio, and it is desirable to have a logarithmic response in the detection system.

A suitable amplifier shall follow the optical detector, so that the signal level becomes adequate for the signal processing. The bandwidth of the amplifier shall be chosen as a trade-off between time resolution and noise reduction.

6.8.2.4 Launching set-up

See 6.6.1 and 6.8.1.

6.8.2.5 Procedure

- 1) The fibre under test is aligned to the coupling device.
- 2) Backscattered power is analysed by a signal processor and recorded in logarithmic scale. Figure 10 b) shows such a typical curve.
- 3) If the recorded curve has an approximately constant slope [zone 2 of Figure 10 b)], the attenuation between two points *A* and *B* of the curve corresponding to two cross-sections of the fibre is:

$$A(\lambda)_{A \rightarrow B} = \frac{1}{2}(V_A - V_B) \quad \text{dB}$$

where V_A and V_B are the corresponding power levels given in the logarithmic scale.

- 4) If so required bi-directional measurements can be made, together with numerical computation to improve the quality of the result and possibly to allow the separation of attenuation from backscattering factor.

6.8.3 Presentation of results

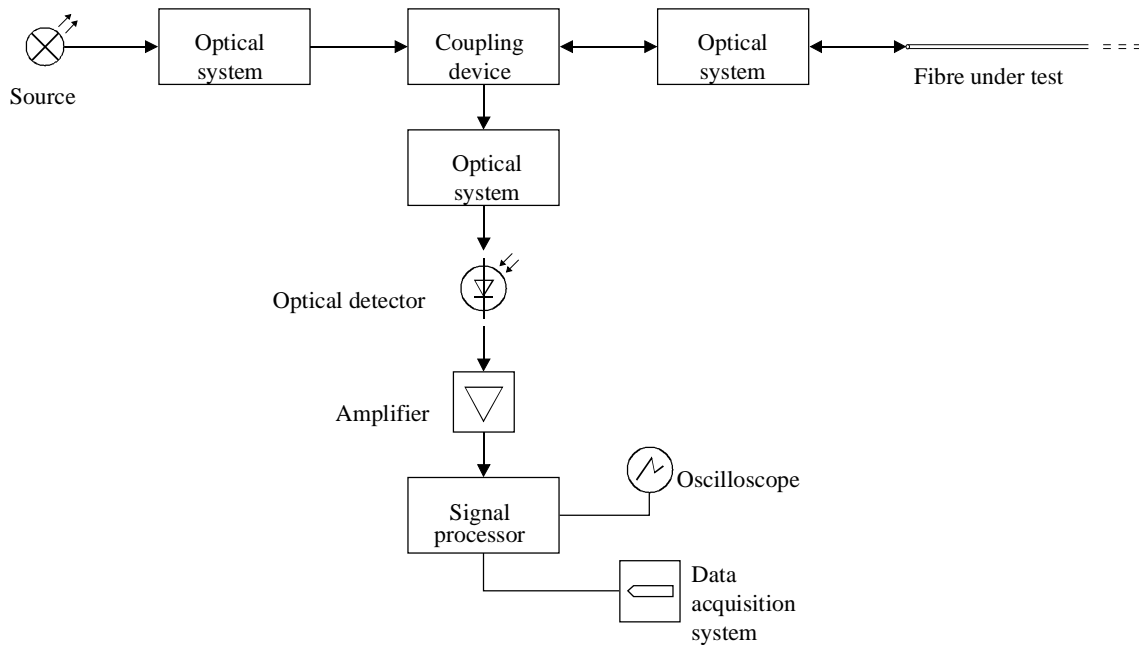
The following details shall be presented:

- a) Measurement types and characteristics.
- b) Launching techniques.
- c) Test set-up arrangement.
- d) Temperature of the sample and environmental conditions (if necessary).
- e) Fibre identification.
- f) Length of sample.
- g) Rise time, width and repetition rate of the pulse.
- h) Kind of signal processing used.
- i) The recorded curve on a logarithmic scale, with the attenuation of the sample, and under certain conditions the attenuation coefficient in dB/km.

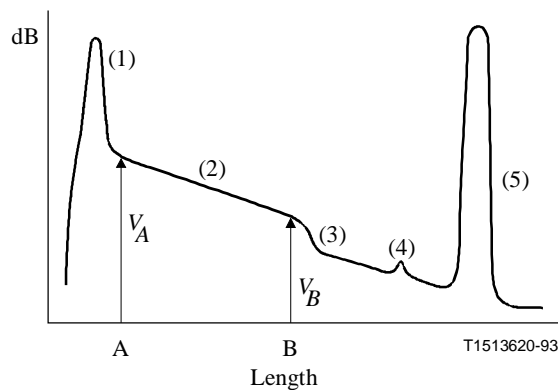
The complete analysis of the recorded curve in Figure 10 b) shows that, independently from the attenuation measurement, many phenomena can be monitored using the backscattering technique:

- 1) Reflection originated by the coupling device at the input end of the fibre.
- 2) Zone of constant slope.

- 3) Discontinuity due to local defect, splice or coupling.
- 4) Reflection due to dielectric defect.
- 5) Reflection at the end of the fibre.



a) Scheme of apparatus



b) Example of a backscattered power curve

Figure 10/G.651 – The backscattering technique

6.9 Reference test method for baseband response measurements

6.9.1 Object

The fibre baseband response may be described in either the time domain by means of its impulse response $g(t)$ or in the frequency domain by means of its frequency response $G(f)$. The function $g(t)$ may be described as that function which, when convolved with the optical power input pulse to the

fibre, gives the optical power output pulse from the fibre. $G(f)$ is the ratio, at any frequency, between the sinusoidal modulation of the optical power input to the fibre and the sinusoidal modulation of the optical power output from the fibre.

The baseband responses in the frequency and time domain in a linear system are related by:

$$G(f) = \int_{-\infty}^{+\infty} g(t) \exp(-j2\pi ft) dt$$

The baseband response is presented in the frequency domain.

Those wishing a representation in the time domain will still be able to obtain it by means of mathematical operations. For this purpose, the amplitude and phase response would both be needed.

The amplitude response is specified in the form of the -3 dB optical (-6 dB electrical) bandwidth of the amplitude/frequency curve. A more complete curve should also be given.

To minimize measurement variations associated with irregular shaped baseband responses, a Gaussian function may be fitted to the baseband response $G(f)$.

No recommended values of phase response are given, phase response is only required in special cases.

6.10 Reference test method

6.10.1 Test apparatus

A schematic diagram of the test arrangement is shown in Figure 11.

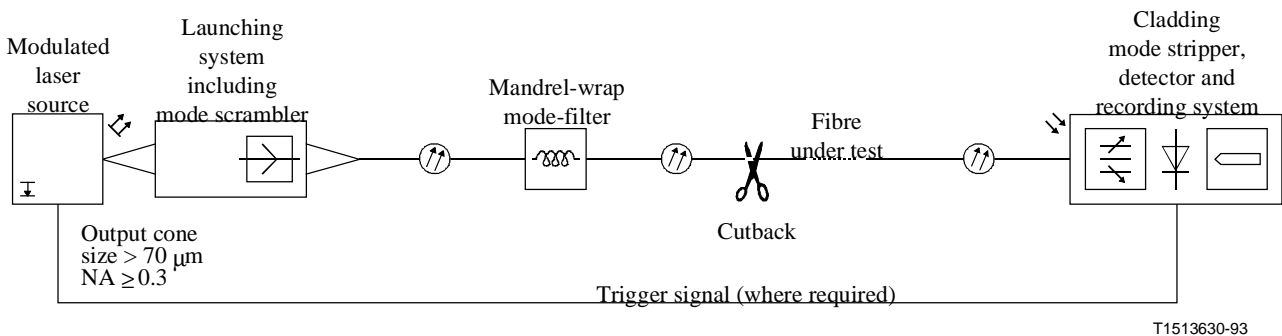


Figure 11/G.651 – Typical arrangement of test set-up

6.10.1.1 Light source

A laser light source shall be used. It must be stable in position, intensity and wavelength. Its centre wavelength (λ) shall be within ± 20 nm of the nominal value selected from the ranges given in Table 1; in addition, the FWHM line width ($\Delta\lambda$) shall not exceed the corresponding value given in Table 1.

Table 1/G.651 – Source line width

λ (nm)	$\Delta\lambda$ (nm)
800-900	5
1200-1350	10

The means whereby the laser is modulated (pulse or sinusoidal) shall be capable of operating at frequencies beyond the frequency at which the response of the fibre under test has fallen to the -3 dB optical level.

The maximum emission shall substantially exceed spontaneous emission and the depth of modulation shall be as great as the extinction ratio permits in order to secure maximum signal-to-noise ratio. Care shall be taken that the source does not chirp.

If the modulation waveform chosen is sinusoidal, the output modulation is divided, frequency by frequency, by the input modulation. If the modulation waveform chosen is a multicomponent pulse, it is necessary, as a preliminary step, to perform the Fourier transformation, using either analogue filtering or digital processing of the received signal.

6.10.1.2 Launching conditions

The appropriate measurement condition can be achieved by means of a uniform mode power distribution (overfilled launch) with a uniform spatial distribution larger than the fibre core, and a Lambertian angular distribution within the numerical aperture of the fibre under test.

6.10.1.3 Detector

A high speed photodiode shall be used to intercept the full mode volume of the fibre output.

The bandwidth of the photodiode and the subsequent electronics shall be sufficient to preserve the required signal-to-noise ratio up to the highest frequency at which results are to be reported. The detector system shall be linear with respect to input power over the measured limits. In the event that the detector has an inadequate linear range, a neutral density filter previously calibrated at the operating wavelength may be required to attenuate an excessively large signal, in such a way that the detector is always used in its range of linear sensitivity.

6.10.1.4 Output presentation system

The output presentation system shall be capable of recording or displaying the output modulation amplitude against calibrated power or log-power and frequency scales. In the case of pulse modulation, an intermediate stage may involve the recording of a pulse waveform against a calibrated time scale.

6.10.2 Procedure

6.10.2.1 Preparation of fibre for tests

Primary coatings shall be removed from portions of fibre to be immersed in the cladding mode strippers.

Fibre ends shall be substantially clean, smooth and perpendicular to the fibre axis. Measurements on uncabled fibres shall be made with the fibre loose on the drum to avoid externally induced mode coupling.

6.10.2.2 Measurement

Initially, the transmitter and the receiver are connected by a short optical test lead, and the transmitter power adjusted to give a signal in the linear range of the receiver. For use as a field reference test

method, the specific response of the instrument should be stored at this stage for subsequent use, in the form of either an impulse – or a frequency – response as appropriate.

The fibre to be tested is then inserted between the transmitter and receiver and the output measured and recorded. For use as a reference test method for single fibres, the fibre is then cut back to a point, a convenient distance from the transmit and cladding mode stripper (if used) or from the mode filter and, taking care not to disturb the launching conditions, the output from the cutback length is measured and recorded. The operational area of the receiver photodiode shall, as far as possible, be the same at all stages.

The sets of frequency domain amplitude data, whether obtained directly or by transformation from the time domain, corresponding to the output signal from the fibre under test and to the specific response of the instrument (including the cutback length) are then divided, (or subtracted if presented in logarithmic scale) frequency by frequency, the former by the latter, to yield the frequency response of the fibre.

6.10.3 Presentation of results

The following details shall be presented:

- a) Measurement type and characteristics.
- b) Launching technique.
- c) Test set-up arrangement including source wavelength and FWHM linewidth.
- d) Temperature of the sample and environmental conditions (if necessary).
- e) Fibre identification.
- f) Length of sample.
- g) The bandwidth (including chromatic dispersion effects) defined by –3 dB optical point of the amplitude-frequency characteristic, and if necessary, the full amplitude-frequency characteristic, and/or the phase characteristic.
- h) For factory length the value, if needed, of the bandwidth referred to 1 km (the applied formula must be given).
- i) As stated at g), the measured bandwidth includes both modal and chromatic dispersion effects. If needed, the modal bandwidth B_{modal} (MHz) can be obtained as follows, if both the modal fibre baseband response and the source spectrum are assumed to be Gaussian.

$$B_{\text{modal}} = \left[(1/B_T)^2 - (D(\lambda) \Delta\lambda \cdot L \cdot 10^{-6} / 0.44)^2 \right]^{-\frac{1}{2}}$$

where:

B_T is the fibre measured bandwidth;

$D(\lambda)$ is the chromatic dispersion coefficient [ps/(nm · km)];

$\Delta\lambda$ is the FWHM source linewidth (nm);

L is the fibre length (km).

NOTE – The apparatus and procedure given above cover only the essential basic features of the reference test method. It is assumed that the detailed instrumentation will incorporate all necessary measures to ensure stability, noise elimination, etc., and that in any data processing procedures including sampling, weighting functions, truncation, etc., care will be taken to ensure a satisfactory balance of advantages and disadvantages of the chosen techniques.

Details of these procedures, together with quantitative information, should be included in the results.

APPENDIX I

Algorithm for geometrical parameters

A possible way to obtain the positions of core and cladding centres as well as the diameters is given in this Appendix.

I.1 Core centre and diameter

The core centre and diameter are determined from an adequate number of scans across a fibre section with the appropriate k value. Two points on the core/cladding interface are obtained at each scan. The points should be uniformly distributed on the perimeter of the core, at least approximately.

Let:

x_i, y_i be the Cartesian coordinates of the i -th point of the interface;

a_c, b_c be the Cartesian coordinates of the core centre;

R_c be the core radius;

z, m_i be the intermediate variables $z = a_c^2 + b_c^2 - R_c^2$ and $m_i = x_i^2 + y_i^2$.

The unknown parameters a_c, b_c and R_c are obtained by finding the circle which best represents, in the sense of the least squares, the experimental interface between the core and the cladding. The calculation algorithm consists of minimizing, with respect to parameters a_c, b_c and z , the quantity:

$$\begin{aligned} M &= \sum_i [(x_i - a_c)^2 + (y_i - b_c)^2 - R_c^2]^2 \\ &= \sum_i (x_i^2 + y_i^2 - 2a_c x_i - 2b_c y_i + z)^2 \end{aligned}$$

Cancellation of the three partial derivatives of M in relation to a_c, b_c and z gives a system of three linear equations, in the following matrix form:

$$\begin{bmatrix} 2\sum_i x_i^2 & 2\sum_i x_i y_i & -\sum_i x_i \\ 2\sum_i x_i y_i & 2\sum_i y_i^2 & -\sum_i y_i \\ 2\sum_i x_i & 2\sum_i y_i & -N \end{bmatrix} \begin{bmatrix} a_c \\ b_c \\ z \end{bmatrix} = \begin{bmatrix} \sum_i m_i x_i \\ \sum_i m_i y_i \\ \sum_i m_i \end{bmatrix}$$

The sums are performed from $i = 1$ to $i = N$, N being the total number of measured points.

Digital inversion of this system gives the values of a_c, b_c and z , from which the value of R_c is deduced.

The core centre is the point of coordinates a_c and b_c and its diameter is the quantity $D_c = 2R_c$.

I.2 Cladding centre and diameter

The same calculation process and definitions as for the core apply to finding:

- the coordinates of the cladding centre a_g and b_g ;
- the cladding radius R_g .

The cladding centre is the point of coordinates a_g and b_g and its diameter is the quantity $D_g = 2R_g$.

ITU-T RECOMMENDATIONS SERIES

- Series A Organization of the work of the ITU-T
- Series B Means of expression: definitions, symbols, classification
- Series C General telecommunication statistics
- Series D General tariff principles
- Series E Overall network operation, telephone service, service operation and human factors
- Series F Non-telephone telecommunication services
- Series G Transmission systems and media, digital systems and networks**
- Series H Audiovisual and multimedia systems
- Series I Integrated services digital network
- Series J Transmission of television, sound programme and other multimedia signals
- Series K Protection against interference
- Series L Construction, installation and protection of cables and other elements of outside plant
- Series M TMN and network maintenance: international transmission systems, telephone circuits, telegraphy, facsimile and leased circuits
- Series N Maintenance: international sound programme and television transmission circuits
- Series O Specifications of measuring equipment
- Series P Telephone transmission quality, telephone installations, local line networks
- Series Q Switching and signalling
- Series R Telegraph transmission
- Series S Telegraph services terminal equipment
- Series T Terminals for telematic services
- Series U Telegraph switching
- Series V Data communication over the telephone network
- Series X Data networks and open system communication
- Series Y Global information infrastructure
- Series Z Programming languages