



INTERNATIONAL TELECOMMUNICATION UNION

CCITT

E.862 (rev.1)

THE INTERNATIONAL
TELEGRAPH AND TELEPHONE
CONSULTATIVE COMMITTEE

TELEPHONE NETWORK AND ISDN

**QUALITY OF SERVICE,
NETWORK MANAGEMENT AND TRAFFIC
ENGINEERING**

**DEPENDABILITY PLANNING
OF TELECOMMUNICATION NETWORKS**

Recommendation E.862 (rev.1)



Geneva, 1992

FOREWORD

The CCITT (the International Telegraph and Telephone Consultative Committee) is a permanent organ of the International Telecommunication Union (ITU). CCITT is responsible for studying technical, operating and tariff questions and issuing Recommendations on them with a view to standardizing telecommunications on a worldwide basis.

The Plenary Assembly of CCITT which meets every four years, establishes the topics for study and approves Recommendations prepared by its Study Groups. The approval of Recommendations by the members of CCITT between Plenary Assemblies is covered by the procedure laid down in CCITT Resolution No. 2 (Melbourne, 1988).

Recommendation E.862 was prepared by Study Group II and was approved under the Resolution No. 2 procedure on the 16th of June 1992.

CCITT NOTE

In this Recommendation, the expression "Administration" is used for conciseness to indicate both a telecommunication Administration and a recognized private operating agency.

© ITU 1992

All rights reserved. No part of this publication may be reproduced or utilized in any form or by any means, electronic or mechanical, including photocopying and microfilm, without permission in writing from the ITU.

Recommendation E.862

DEPENDABILITY PLANNING OF TELECOMMUNICATION NETWORKS

(revised 1992)

Introduction

This Recommendation is concerned with models and methods for dependability planning, operation and maintenance of telecommunication networks, and the application of these methods to the various services in the international network.

The CCITT,

considering

- (a) that economy is often an important aspect of dependability planning;
- (b) that the ability of achieving a certain level of dependability differs between network providers;
- (c) that network providers often operate in a competitive environment;
- (d) that Recommendations E.845, E.850 and E.855 establish objectives for serviceability performance;
- (e) that objectives for dependability performance are deducible from Recommendations Q.504, Q.514, and X.134 to X.140;
- (f) that these objectives have been established in an intuitive manner rather than based on analysis of user needs;
- (g) that there exists no unambiguous way of implementing these objectives in planning;
- (h) that there is a need of establishing a method for dimensioning and allocating dependability in the telecommunication network;
- (i) that terms and definitions relevant to concepts used for dependability may be found in Recommendation E.800,

recommends

that the procedures defined in this Recommendation shall be used by Administrations to plan, design, operate and maintain their networks.

1 General

Dependability planning may be accomplished by using essentially two different methods.

Intuitive method

The level of dependability is determined by making a synthesis of objectives and procedures presently used. It is a pragmatic method in absence of an analytical method or in the case when necessary data for a thorough analysis is not available.

This method reflects the present status, but is inconsistent in achieving what Administrations actually want to attain: the most economic level of dependability taking into account customer needs and inconvenience.

Analytical method

The analytical method is based on principles defining the object of dependability planning. The principles are realized through a quantitative model. The level of dependability is deduced by applying the model, taking into account all relevant factors in each planning case.

- *Basic principle* – The main object of dependability planning is to find a balance between the customers' needs for dependability and their demand for low costs.
- *Model* – Fault consequences are expressed in terms of money and are included as additional cost factors in planning and cost-optimization. The cost factor reflects the customers' experience of faults in the network, quantified in terms of money, as well as the Administration's costs for lost traffic revenue and corrective maintenance.
- *Application* – The Administration is provided with a method to integrate dependability as a natural part of planning, taking local information from the actual planning case into account. This method enables the preparation of simplified planning rules.

The application of the analytical method gives, economically, the best-balanced level of dependability, seen from the customer's point of view. This reduces the risk of customer's complaints and loss of business to competitors as well as the risk of unnecessary investments. It is, therefore, considered to be the best general way of planning dependability for the Administration, as well as for the customers.

Recommendations for operational dependability objectives are needed in order to discover impairments and to check and compare dependability performance in the national and international network. Experience from the application of the analytical method may give reason to revise existing Recommendations.

2 Generic measures for dependability planning

The dependability is described by measures defining the availability performance, the reliability performance and the maintainability performance of the network and its constituent parts as well as the maintenance support performance (for the maintenance of the network). The recommended measures are:

- a) *Availability performance*
 - Mean accumulated down time
- b) *Reliability performance*
 - Mean failure intensity
- c) *Maintainability performance*
 - Mean undetected fault time
 - Mean time to restoration
 - Mean active repair time
- d) *Maintenance support performance*
 - Mean administrative delay
 - Mean logistic delay

Note – The definitions of these measures are given in Recommendation E.800 and Supplement No. 6.

3 Planning for economic optimum

3.1 Economic dimensioning and allocation method

The main principle of dependability planning is to find actions (investments, increased maintenance, etc.) that maximise the total profit of the network:

$$\max \{LCR - LCC\}$$

LCR – life cycle revenue

LCC – life cycle cost

The revenues and costs are judged either by their effect on the operating company's (Administration's) ability to reach its goals (a commercial evaluation) or by their effect on the welfare of all the members of society (a social evaluation). The principles for evaluating dependability may change and are to be regarded as a national matter.

An equivalent statement of the problem is to find actions that minimise the present value of the total costs of the network:

$$\min \{C_I + \Sigma(C_t + C_m + \dots) \cdot d_i\}$$

where:

C_I are the investment costs to achieve a certain degree of dependability;

C_m are the expected maintenance costs of year i ;

C_t is the expected traffic disturbance cost (loss of revenue) for year i ;

d_i is the discount factor for calculating present value of costs occurring year i ;

C_t reflects the annoyance caused by faults and should be regarded as the basic service parameter which dimensions dependability in the network. A decrease in traffic disturbance cost represents an increase in life cycle revenue ($\Delta LCR = -\Delta C_t$).

Unlike quantitative objectives for dependability performance (the intuitive method), this method is generally applicable and does not become out of date with technological advances, changes in cost structure, etc. Dependability is converted into one clear-cut measure (money) which makes it easier to evaluate actions to promote dependability and to compare and choose between different alternatives. The method is applicable for planning all parts of the national and international network and for dimensioning the dependability of network components and the level of maintenance support. It may be used in short and long term planning as well as to quantify scenarios in strategic planning.

3.2 A simplified model for quantifying traffic disturbance costs

The annual traffic disturbance cost is given by the interruption costs of circuit and packet switched traffic (first and second terms) and interruption costs of leased lines (last term):

$$C_t = z \cdot T \cdot E \cdot \alpha \cdot A \cdot c_s + z \cdot T \cdot \lambda \cdot \beta \cdot r \cdot c_p + z \cdot T \cdot n \cdot c_l$$

where:

z is the failure intensity (failures per year);

T is the mean down time (hours);

A is the busy hour intensity of switched traffic (erlangs);

- α is the factor reflecting the fraction of busy hour traffic demanded during the fault;
- E is the probability of congestion during the fault;
- c_s is the economic valuation of switched traffic (monetary unit per erlang-hour);
- λ is the intensity of busy hour packet calls (packets per hour);
- β is the factor reflecting the fraction of busy hour packet calls demanded during the fault;
- r is the probability of packet loss or delay during the fault;
- c_p is the economic valuation of a lost or delayed packet (monetary unit per packet);
- n is the number of leased lines;
- c_l is the economic valuation of interruption of a leased circuit (monetary unit per circuit-hour).

The model assumes that the parameters are stochastically independent and do not vary in time. However, this is seldom the case. If failures are more likely to occur at certain hours of the day, there may be a correlation between traffic and failure intensity (time is a common parameter). Down time may be dependent on the time of day or week when the failure occurs. Correlations between parameters can be dealt with by assuming models of time variations of traffic, failure intensity, down time, etc. The problem is simplified if failures are assumed to uniformly distributed in time. The fraction of busy hour traffic demanded during the fault is then equivalent to the average traffic and the values of α can be calculated if the traffic profile is known. Recommendation E.523 defines standard traffic profiles for international traffic streams. The addendum too the QOS handbook shows the result of such calculations.

If only a fraction of the capacity is lost, the result is a state of increased congestion. The average probability of congestion or packet delay during a fault, depends on the transmission capacity left and the traffic profile. The handbook shows examples of congestion probabilities for switched traffic.

3.3 *Economic assessment of disturbed traffic volume (c)*

The factors c reflects the level of ambition of an Administration in dependability planning. High values of c will give a high level of dependability and vice versa. The objectives of the operating company (commercial or social) may influence the values. Important factors:

- the customers' willingness to pay for dependability;
- the market structure (degree of competition, etc.);
- the category of customers and services affected;
- the degree of congestion, delay or transmission disturbance;
- the duration of the fault;
- the accessibility to alternative communication means for the affected customer;
- time of day, week or year when the fault is in effect;
- how often faults have occurred in the past, etc.

Administrations are recommended to make their own investigations among their customers in order to determine the values to be used in planning. Annex B gives an example of such an investigation. If this is not possible, rough estimates may be obtained from information about actions taken previously in the network. The cost of actions is compared to the amount of traffic saved. Actions that intuitively are regarded as reasonable, give a lower limit of c , actions that obviously are unreasonable give an upper limit. The values derived in this way are then used under the assumption that they are valid also for planning the future network. If c is not possible to estimate at all, the method may still be used to make priorities among competing alternatives and thus roughly finding an optimum allocation of a given amount of resources.

3.4 *Planning procedure*

Traffic disturbance costs are included as additional cost-factors in economical calculations for planning, thus integrating dependability as a natural part of planning.

The procedure of dependability planning is performed in four steps:

Step 1 – Plan a network attaining functional and capacity requirements.

The starting point is a network planned and dimensioned in order to comply with the functional and capacity requirements, but without special consideration of dependability (zero-alternative). The second step is to identify what changes may be necessary to promote dependability.

Step 2 – Search for actions to promote dependability.

There is a need for actions to promote dependability if traffic disturbance costs are high or if the actions can be taken at a low cost. A non-exhaustive list from which actions could be identified is given below:

- protection of equipment in order to prevent failures;
- choice of reliable and maintainable equipment;
- modernization and reinvestment of worn out equipment;
- redundancy;
- overdimensioning;
- increase in maintenance support;
- network management actions to reduce fault effects.

Step 3 – Analyse the actions.

Express improvements in terms of changes in traffic disturbance and maintenance costs ($\Delta C_t + \Delta C_m$) for each action. It is only necessary to calculate costs that differ between the alternatives. Annex A gives examples of dependability models for network design, maintenance support planning and for determining requirements for network components.

Compare $\Delta C_t + \Delta C_m$ to the increased investment cost (ΔC_I) for each action, e.g. by the present value method.

Choose the best set of actions, i.e. which gives the lowest total cost.

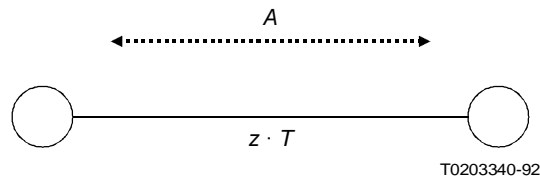
Step 4 – Check that minimum requirements are complied with.

A minimum service level may be stipulated by governmental regulations, by CCITT Recommendations, for commercial or for other reasons. The establishment of any minimum requirements on the national level is a national matter. For planning of the international network the Administration is recommended to check if dependability objectives deducible from existing CCITT Recommendations are met. If not, the reasons for non-compliance should be examined more closely. If it is justified, the level of dependability should be adjusted.

3.4.1 *Numerical example based on the above*

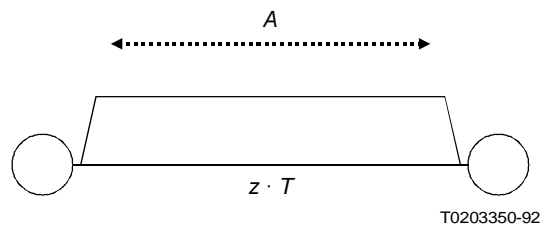
Step 1 – Network planned without special consideration of dependability.

The network studied is the trunk between two exchanges.



Step 2 – Search for actions to promote dependability.

The action considered is to introduce a physically redundant cable. It is assumed to be dimensioned to carry the whole traffic load, i.e. a single failure will not disturb the traffic.



Step 3 – Analyse the action.

Assumptions

Failure intensity	$z = 0.1$ failures/year
Mean down time	$T = 24$ h
Mean offered traffic	$A = 100$ E
Congestion	$P = 1$ (without redundancy) $P = 0$ (with redundancy)
Monetary valuation of disturbed traffic volume	$c = 400$ monetary units/Eh
Discount factor (lifetime 25 years, interest 5% per year)	$d = 14$
Maintenance cost per failure	$c_m = 1000$ monetary units/failure
Cost of redundant cable	$C_I = 400\,000$ monetary units

Calculations

Traffic disturbance costs for network without redundancy:

$$C_t = P \cdot A \cdot z \cdot T \cdot c = (1) (100) (0.1) (24) (400) = 96\,000 \text{ per year}$$

$$\text{Present value } C_t d = (96\,000) (14) = 1\,344\,000$$

Traffic disturbance costs for network with redundancy (the possibility of simultaneous faults is negligible):

$$C_I = 0$$

Change in traffic disturbance costs:

$$\Delta C_{I_d} = 0 - 1\,344\,000 = -1\,344\,000$$

Maintenance costs without redundancy:

$$C_m = zc_m = (0.1)(1000) = 100 \text{ per year}$$
$$\text{Present value } C_{m_d} = (100)(14) = 1400$$

Maintenance costs with redundancy:

$$C_m = 2zc_m = (2)(0.1)(1000) = 200 \text{ per year}$$
$$\text{Present value } C_{m_d} = (200)(14) = 2800$$

Change in maintenance costs:

$$\Delta C_{m_d} = 2800 - 1400 = 1400$$

Cost reduction:

$$\Delta C_{I_d} + \Delta C_{m_d} = -1\,344\,000 + 1400 = -1\,342\,600$$

Change in total cost:

$$\Delta C_I + \Delta C_{m_d} + \Delta C_{I_d} = 400\,000 - 1\,342\,600 = -942\,600$$

Conclusion

Since $\Delta C_I + \Delta C_{m_d} + \Delta C_{I_d} < 0$, the action is profitable. Whether or not it is optimal depends on whether there are alternative actions that are more profitable.

Step 4 – Check minimum requirements

Any additional actions to meet governmental requirements (for defence reasons, emergency, etc.) should be taken.

4 Applications to the international network

4.1 Value of c for international traffic (for further study)

In order to dimension and allocate dependability to different parts of the international network, an uniform way of evaluating affected traffic should be established. It is recommended that the following values (c_i) be used as a guide in the planning of the international network

$$c_i = x_i \text{ SDR} : s / Eh \quad (\text{values to be determined})$$

The values refer to a particular reference year. Price increase due to inflation, society's increasing dependence on telecommunication, etc., should be taken into account.

4.2 *Planning recommendations* (for further study)

When values of c have been established, it is possible to make economic dependability analyses of the international network. These studies may be done in a similar manner and using partly the same data as for cost studies of charging and accounting.

The object of the studies is to arrive at planning recommendations, e.g. for the amount of redundancy, maintenance support, etc., in different parts of the international network.

4.3 *Operational objectives for dependability* (for further study)

The result of the economical dependability analysis of the international network is presented in terms of reliability, maintainability and maintenance support performances of different parts of the network. This will help Administrations monitoring and checking their networks to discover impairments, misplanning, etc.

ANNEX A

(to Recommendation E.862)

Simplified models for dependability planning

A.1 *General*

The object of this annex is to show simple examples of how different models of dependability may be used to calculate traffic disturbance costs and how the calculations can be used in planning. A list of actions is given in § 3.4. The applications may be divided into:

- network planning (see §§ A.2 and A.3);
- dimensioning dependability of network components (see § A.4);
- maintenance support planning (see § A.5).

A.2 *Example: Redundancy*

The traffic disturbance cost of a redundancy consisting of two independent items as shown in Figure A-1/E.862, is:

$$C_t = P_1 z_1 T_1 A c(P_1) + P_2 z_2 T_2 A c(P_2) + z_1 z_2 T_1 T_2 A c(1)/8760$$

where

P_1 is the average congestion when item 1 is faulty,

P_2 is the average congestion when item 2 is faulty.

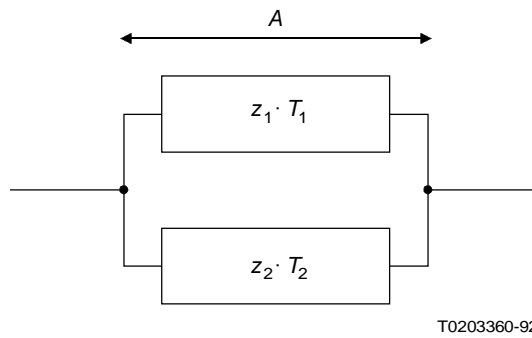


FIGURE A-1/E.862

A simple case is when the two items are identical and each can carry the whole traffic load (see Figure A-2/E.862), then:

$$C_t = z^2 T^2 Ac(1)/8760$$

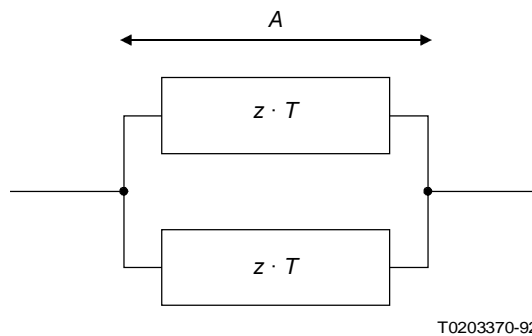


FIGURE A-2/E.862

By installing a redundant item, the traffic disturbance costs are reduced by

$$\Delta C_t = zTAc(1) - z^2 T^2 Ac(1)/8760$$

The second term is often negligible, thus ΔC_t may be approximated by $\Delta C_t = zTAc(1)$.

A.3 Example: Optimal dimensioning for diversified routes

The problem is to determine the optimal number of channels, N_1 and N_2 respectively, for which the two redundant routes should be dimensioned, see Figure A-3/E.862.

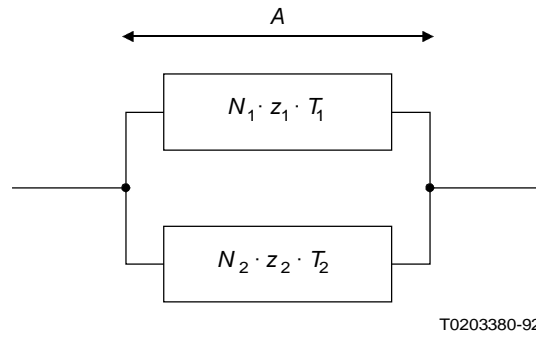


FIGURE A-3/E.862

Denote C_N to be the cost per channel. The optimal allocation of channels each way is found by solving

$$\min_{N_1; N_2} \left\{ (N_1 \cdot C_{N1} + N_2 \cdot C_{N2}) + (P_1 \cdot A \cdot z_1 \cdot T_1 \cdot C(P_1) + P_2 \cdot A \cdot z_2 \cdot T_2 \cdot C(P_2)) \cdot d \right\}$$

This implies an overdimensioning in the fault free condition. The benefit of this is not included in this formula. The effect of simultaneous faults does not influence the optimization.

A.4 Example: Optimal testing time

Assume that the failure intensity $z(t)$ after a certain operation time (t) is given by

$$z(t) = z_0 + ze^{-bt}$$

where

- $z_0 + z$ is the failure intensity at $t = 0$,
- z_0 is the constant failure intensity after the early failure period,
- b is the factor determining the decrease in failure intensity during the early failure period.

By testing, faults may be corrected before causing traffic disturbance and maintenance costs. Assume that:

- $c_m + ATc$ are the maintenance and traffic disturbance costs per fault,
- C is the cost per year of testing.

The optimal testing time (t') is found by solving

$$\min_t \left\{ tC + \frac{z}{b} e^{-bt} (c_m + ATc) \right\}$$

where

- $\frac{z}{b} e^{-bt}$ is the additional number of faults occurring in operation as a function of the testing time.

Optimal test time: $t' = \frac{1}{b} \ln \frac{z(c_m + ATc)}{C}$.

A.5 *Example: Optimal number of maintenance units*

Mean delay $w(N)$ as a function of the number of maintenance men (N) may in some cases be mathematically expressed by using queuing theory. The simplest case is if the times between failures and repair times are exponentially distributed (an $M/M/N$ queue model). $w(N)$ is obtained by calculating:

$$w(N) = \left[\frac{(z/\mu)^N \cdot \mu}{(N-1)! (N\mu - z)^2} \right] / \left[\sum_{k=0}^{N-1} \frac{1}{k!} \left(\frac{z}{\mu}\right)^k + \frac{1}{N!} \left(\frac{z}{\mu}\right)^N \left(\frac{N}{N\mu - z}\right) \right]$$

where

- N is the number of maintenance units,
- z is the intensity of failures,
- $w(N)$ is the mean delay as a function of N ,
- A is the affected traffic intensity,
- c is the valuation of affected traffic volume,
- μ is the repair rate.

The model may be refined by taking into account classes of priority. It is also possible to let faults of a higher priority interrupt assignments with a lower priority.

If C_N is the annual cost per maintenance unit, the optimal number of maintenance units is obtained by solving:

$$\min_N \left\{ NC_N + zw(N)Ac \right\}$$

ANNEX B

(to Recommendation E.862)

**Example of an investigation to assess
the monetary valuation of disturbed traffic volume, c**

B.1 The aim is to arrive at cost data to assess c . Different customer groups and their monetary valuation of total and partial failures with respect to typical traffic relations and different services is studied. Investigations are carried out among residential and business customers based on the following assumptions:

- a) The customers are affected by telecommunication interruptions in mainly two ways: in terms of annoyance and in terms of direct costs.
- b) For residential customers, annoyance is likely to predominate. For business customers, the direct cost may be important.
- c) Both costs and annoyance increase by the duration of the interruptions and the amount of traffic disturbed.
- d) As a natural consequence of the great variations in dependence on telecommunications there is a great variation of costs and annoyance.
- e) Residential customers are not able to quantify their annoyance in monetary terms. Faults on the home telephone mostly result in irritation, and not in direct costs (except in the case of long-time faults).

B.2 *Complete faults*

B.2.1 *Business traffic*

Companies chosen at random are asked to answer the following question: “What is the estimated approximative cost of a total interruption of the telephone or data service in connection with down times of 5 minutes, 1 hour, 4 hours, 8 hours, 24 hours and 3 days?”

Companies with experience of a specific fault are asked the question: “What was the estimated cost of the fault just experienced?”

An estimate of the affected traffic intensity in connection with total interruptions can be made on the basis of the number of exchange lines and the number of data terminals for communication of each company, together with information on how trunks are dimensioned and measurements on the calling intensity of various customer classes.

On the basis of a stated cost, c is estimated according to the formula:

$$c = \frac{\text{(cost stated by the customer)}}{\text{(mean traffic intensity) (down time)}}$$

Average values of c for telephony and data traffic are calculated for different trades by means of a market profile (distribution of workplaces by trade).

B.2.2 *Residential customers*

Group discussions on interruptions can be held in order to arrive at a reasonable valuation. If there is little willingness to pay for increased dependability, a relatively low value of c is assigned.

B.3 *Partial faults*

A partial interruption of a traffic relation results in costs for the customer mainly in the form of delays to commerce. By using a calculated hourly salary, this cost is estimated for business customers. On the basis of information about the amount of business and household traffic, an average value of c for traffic disturbed by partial faults is obtained.

B.4 *Results*

Table B-1/E.862 gives a few examples of figures derived by the Swedish Administration. The figures have been used in various planning cases. The Administration's loss of revenue is included in these figures. The cost figures and exchange rate relate to 1st January 1986 [1 SEK (Swedish Krona) \approx 0.1 USD (US dollar)].

TABLE B-1/E.862

Economic assessment of prevented communication (<i>c</i>)		
Field of application	Class of failure	
	Complete fault ($P = 1$)	Partial fault ($P < 0.5$)
Business customers with a large portion of data traffic	1000 SEK/Eh	250 SEK/Eh
Used in the long distance network	400 SEK/Eh	100 SEK/Eh
Customers in a sparsely populated area. High cost for alternative communication	200 SEK/Eh	50 SEK/Eh
An average value for areas with mostly residential customers	100 SEK/Eh	25 SEK/Eh
Residential area where it is easy to reach essential services. Low costs for alternative communication	30 SEK/Eh	10 SEK/Eh