

ETSI EN 301 179 V1.2.1 (2001-02)

European Standard (Telecommunications series)

**Fixed Radio Systems;
Point-to-multipoint equipment;
Frequency Hopping Code Division Multiple Access (FH-DMA);
Point-to-multipoint Digital Radio Relay Systems (DRRS)
in the bands within the range 1 GHz to 3 GHz**



Reference

REN/TM-04111-20

KeywordsCDMA, DRRS, multipoint, radio, RLL,
transmission**ETSI**

650 Route des Lucioles
F-06921 Sophia Antipolis Cedex - FRANCE

Tel.: +33 4 92 94 42 00 Fax: +33 4 93 65 47 16

Siret N° 348 623 562 00017 - NAF 742 C
Association à but non lucratif enregistrée à la
Sous-Préfecture de Grasse (06) N° 7803/88

Important notice

Individual copies of the present document can be downloaded from:

<http://www.etsi.org>

The present document may be made available in more than one electronic version or in print. In any case of existing or perceived difference in contents between such versions, the reference version is the Portable Document Format (PDF). In case of dispute, the reference shall be the printing on ETSI printers of the PDF version kept on a specific network drive within ETSI Secretariat.

Users of the present document should be aware that the document may be subject to revision or change of status. Information on the current status of this and other ETSI documents is available at <http://www.etsi.org/tb/status/>

If you find errors in the present document, send your comment to:
editor@etsi.fr

Copyright Notification

No part may be reproduced except as authorized by written permission.
The copyright and the foregoing restriction extend to reproduction in all media.

© European Telecommunications Standards Institute 2001.
All rights reserved.

Contents

Intellectual Property Rights	5
Foreword.....	5
Introduction.....	5
1 Scope.....	7
1.1 Applications.....	7
1.2 Frequency bands and channel arrangements.....	7
1.3 Access method	7
1.4 Compatibility	7
2 References.....	8
3 Definitions, symbols and abbreviations	10
3.1 Definitions	10
3.2 Symbols.....	11
3.3 Abbreviations.....	11
4 General system architecture	12
4.1 Sub-system components	12
4.2 System characteristics.....	13
4.2.1 Transmission error performance.....	13
4.2.2 Round trip delay	13
4.2.3 Transparency and voice coding methods.....	13
4.2.4 TMN interface	14
4.2.5 Synchronization	14
4.2.6 Frequency hopping characteristics.....	14
5 Radio characteristics	14
5.1 Frequency bands.....	14
5.2 Channel arrangement.....	14
5.3 System capacity.....	15
5.4 Transmitter characteristics	15
5.4.1 Tx power range.....	15
5.4.2 Transmit power control	15
5.4.2.1 Automatic Transmit Power Control (ATPC).....	15
5.4.2.2 Remote Transmit Power Control (RTPC).....	16
5.4.3 Spectrum mask	16
5.4.3.1 Spectrum density mask	16
5.4.3.2 Discrete CW components exceeding the spectrum mask limit (all stations).....	17
5.4.4 Transmitter spurious emissions.....	18
5.4.5 Radio frequency tolerance.....	18
5.5 Receiver characteristics	18
5.5.1 Input level range	18
5.5.2 Spurious emissions.....	18
5.5.3 BER performance	19
5.5.4 Interference sensitivity	19
5.5.4.1 Co channel interference sensitivity.....	19
5.5.4.2 Adjacent channel interference sensitivity.....	20
5.5.4.3 Broadband CW interference rejection capability.....	20
5.6 Antenna port characteristics.....	20
5.6.1 RF interface	20
5.6.2 Return loss.....	20
6 Types of subscriber equipment and network exchange interface	21
7 Power supply and environmental characteristics.....	21
7.1 Power Supply	21
7.2 Environmental Conditions	21

7.2.1	Equipment within weather-protected locations.....	21
7.2.2	Equipment for non weather-protected locations	22
7.3	Electromagnetic Compatibility Conditions.....	22
Annex A (informative):	Bibliography.....	23
History		24

Intellectual Property Rights

IPRs essential or potentially essential to the present document may have been declared to ETSI. The information pertaining to these essential IPRs, if any, is publicly available for **ETSI members and non-members**, and can be found in ETSI SR 000 314: "*Intellectual Property Rights (IPRs); Essential, or potentially Essential, IPRs notified to ETSI in respect of ETSI standards*", which is available from the ETSI Secretariat. Latest updates are available on the ETSI Web server (<http://www.etsi.org/ipr>).

Pursuant to the ETSI IPR Policy, no investigation, including IPR searches, has been carried out by ETSI. No guarantee can be given as to the existence of other IPRs not referenced in ETSI SR 000 314 (or the updates on the ETSI Web server) which are, or may be, or may become, essential to the present document.

Foreword

This European Standard (Telecommunications series) has been produced by ETSI Technical Committee Transmission and Multiplexing (TM).

The former title of the present document was: "Transmission and Multiplexing (TM); Digital Radio Relay Systems (DRRS); Frequency Hopping Code Division Multiple Access (FH-CDMA); Point-to-multipoint DRRS in the bands within the range 1 GHz to 3 GHz".

National transposition dates	
Date of adoption of this EN:	16 February 2001
Date of latest announcement of this EN (doa):	31 May 2001
Date of latest publication of new National Standard or endorsement of this EN (dop/e):	30 November 2001
Date of withdrawal of any conflicting National Standard (dow):	30 November 2001

Introduction

The main field of application of Point-to-Multipoint (P-MP) systems is to provide access to both public and private networks (Public Switched Telephone Network (PSTN), Private Data Network (PDN), ...). By means of P-MP systems the network service area may be extended to cover both distant and scattered subscriber locations; and the systems may be applied to build new access networks covering both urban and rural areas.

Subscribers are offered the full range of services by the particular public or private network. Subscribers have access to these services by means of the various standardized user network interfaces (2-wire loop, new data services).

P-MP systems provide standard network interfaces and transparently connect subscribers to the appropriate network node. These systems allow a service to be connected to a number of subscribers ranging from a few to several thousand, and over a wide range of distances.

P-MP systems are generally configured as Pre-Assigned Multiple Access (PAMA) radio systems or as Demand Assigned Multiple Access (DAMA) radio systems.

The essential features of a typical P-MP DAMA radio system are:

- efficient use of the radio spectrum;
- concentration;
- transparency.

Radio is often the ideal way of obtaining communications at low cost and almost independent of distance, and difficult topography. Moreover, a small number of sites is required for these installations, thus facilitating rapid implementation and minimizing maintenance requirements of the systems.

Concentration means that m subscribers can share n radio channels (m being larger than n), allowing better use to be made of the available frequency spectrum and at a lower equipment cost. The term "multi-access" means that every subscriber has access to every channel (instead of a fixed assignment as in most multiplex systems). When a call is initiated an available channel is allocated to it. When the call is terminated, the channel is released for another call.

Concentration requires the use of distributed intelligent control which in turn allows many other operation and maintenance functions to be added.

Transparency means that the exchange and the subscriber equipment communicate with each other without being aware of the radio link.

1 Scope

1.1 Applications

The scope of the present document covers the following typical P-MP applications, delivered directly or indirectly, or in any superimposed transport network layer:

- voice;
- fax;
- voiceband data;
- telex;
- data up to 64 kbit/s;
- ISDN;
- Internet Access.

1.2 Frequency bands and channel arrangements

The present document covers Fixed Service bands at 1,5 GHz, 2,2 GHz, 2,4 GHz and 2,6 GHz.

The frequency plans for the 1,5 GHz, 2,2 GHz and 2,6 GHz bands are given in CEPT T/R 13-01 [7] and ITU-R Recommendation F.1098-1 [20]. For the 2,4 GHz band, the ITU-R Recommendation F.701-2 [8] is applicable.

The present document may cover equipment which uses either Frequency Division Duplexing or Time Division Duplexing.

NOTE: As with other point-to-multipoint standards, attention should be given to assigning spectrum so as to allow different systems to operate in adjacent assigned frequencies without unacceptable mutual interference. This is the responsibility of the regulatory authorities that are advised to note any guidelines produced by CEPT, particularly those with reference to spectrum where unlike duplex methods are to be used.

1.3 Access method

The present document covers Frequency Hopping - Code Division Multiple Access (FH-CDMA) systems.

NOTE: The method described in the present document applies slow frequency hopping TR 101 274 [26], with a hopping period up to 400 ms. During the dwell time, several different links in the same area may operate on different sub-channels in a manner which resembles the characteristics and properties of FDMA systems. The sub-channel supporting each link may be further subdivided using frequency division, time division or a combination of both techniques. (The terms "hopping period", "dwell time" and "sub-channel" are defined in clause 3.1).

1.4 Compatibility

The present document is not intended to ensure that a Central Station (CS) from one manufacturer will inter-operate with a Terminal Station (TS) or Repeater Station (RS) from another manufacturer.

2 References

The following documents contain provisions which, through reference in this text, constitute provisions of the present document.

- References are either specific (identified by date of publication, edition number, version number, etc.) or non-specific.
- For a specific reference, subsequent revisions do not apply.
- For a non-specific reference, the latest version applies.

- [1] ETSI ETS 300 012: "Integrated Services Digital Network (ISDN); Basic user-network interface; Layer 1 specification and test principles".
- [2] ITU-T Recommendation Q.553 (1996): "Transmission characteristics at 4-wire analogue interfaces of digital exchanges".
- [3] ITU-T Recommendation Q.552 (1996): "Transmission characteristics at 2-wire analogue interfaces of digital exchanges".
- [4] ITU-T Recommendation G.821 (1996): "Error performance of an international digital connection operating at a bit rate below the primary rate and forming part of an integrated services digital network".
- [5] ITU-T Recommendation R.20: "Telegraph modem for subscriber lines".
- [6] ITU-T Recommendations V-series: "Data communication over the telephone network".
- [7] CEPT T/R 13-01 (1993): "Preferred channel arrangements for fixed services in the range 1-3 GHz".
- [8] ITU-R Recommendation F.701-2 (1997): "Radio-frequency channel arrangements for analogue and digital point-to-multipoint radio systems operating in frequency bands in the range 1.350 to 2.690 GHz (1.5, 1.8, 2.0, 2.2, 2.4 and 2.6 GHz)".
- [9] ETSI ETS 300 019 (all parts): "Equipment Engineering (EE); Environmental conditions and environmental tests for telecommunications equipment".
- [10] ETSI ETS 300 132: "Equipment Engineering (EE); Power supply interface at the input to telecommunications equipment; Part 1: Operated by alternating current (ac) derived from direct current (dc) sources; Part 2: Operated by direct current (dc)".
- [11] ITU-T Recommendation G.773 (1993): "Protocol suites for Q-interfaces for management of transmission systems".
- [12] ETSI EN 300 385: "Electromagnetic compatibility and Radio spectrum Matters (ERM); ElectroMagnetic Compatibility (EMC) standard for fixed radio links and ancillary equipment".
- [13] ITU-T Recommendation G.711 (1988): "Pulse code modulation (PCM) of voice frequencies".
- [14] ITU-T Recommendation G.726 (1990): "40, 32, 24, 16 kbit/s Adaptive Differential Pulse Code Modulation (ADPCM)".
- [15] ITU-T Recommendation G.728 (1992): "Coding of speech at 16 kbit/s using low-delay code excited linear prediction".
- [16] ITU-T Recommendation G.729 (1996): "C source code and test vectors for implementation verification of the G.729 8 kbit/s CS-ACELP speech coder".
- [17] ITU-R Recommendation F.697-2 (1997): "Error performance and availability objectives for the local-grade portion at each end of an ISDN connection at a bit rate below the primary rate utilizing digital radio-relay systems".

- [18] ETSI ETS 300 324 (all parts): "V interfaces at the digital Local Exchange (LE); V5.1 interface for the support of Access Networks (AN)".
- [19] ETSI ETS 300 347 (all parts): "V interfaces at the digital Local Exchange (LE); V5.2 interface for the support of Access Networks (AN)".
- [20] ITU-R Recommendation F.1098-1 (1995): "Radio-frequency channel arrangements for radio-relay systems in the 1 900 - 2 300 MHz band".
- [21] ITU-T Recommendation G.723.1: "Dual rate speech coder for multimedia communications transmitting at 5.3 and 6.3 kbit/s".
- [22] ITU-T Recommendation G.131 (1996): "Control of talker echo".
- [23] IEC 60169-1: "Radio-frequency connectors - Part 1: General requirements and measuring methods".
- [24] IEC 60339-1: "General purpose rigid coaxial transmission lines and their associated flange connectors - Part 1: General requirements and measuring methods".
- [25] IEC 60339-2: "General purpose rigid coaxial transmission lines and their associated flange connectors - Part 2: Detail specifications"
- [26] ETSI TR 101 274: "Transmission and Multiplexing (TM); Digital Radio Relay Systems (DRRS); Point-to-multipoint DRRS in the access network: Overview of different access techniques".
- [27] ITU-R Recommendation F.1189-1 (1997): "Error performance objectives for constant bit rate digital paths at or above the primary rate carried by digital radio-relay systems which may form part or all of the national portion of a 27 500 km hypothetical reference path".
- [28] ITU-R Recommendation F.557-4 (1997): "Availability objective for radio-relay systems over a hypothetical reference circuit and a hypothetical reference digital path".
- [29] ITU-T Recommendation G.827 (1996): "Availability parameters and objectives for path elements of international constant bit-rate digital paths at or above the primary rate".
- [30] ISO/IEC 8802-3 (1996): "Information technology - Telecommunications and information exchange between systems - Local and metropolitan area networks - Specific requirements - Par 3: Carrier sense multiple access with collision detection (CSMA/CD) access method and physical layer specifications".
- [31] CEPT/ERC/Recommendation 74-01: "Spurious emissions".
- [32] ITU-T Recommendation G.703 (1998): "Physical/electrical characteristics of hierarchic digital interfaces".
- [33] ITU-T Recommendations X-series: "Data networks and open system communications".

3 Definitions, symbols and abbreviations

3.1 Definitions

For the purposes of the present document the following terms and definitions apply.

Radio Frequency channel (RF channel): partition of a radio frequency band which may be assigned by the authorities in accordance with CEPT or ITU-R Recommendations on channel arrangement (loosely called "an individual channel" in CEPT T/R 13-01 [7]) (see figure 1)

channel spacing: separation between the centre frequencies of neighbouring RF channels. In cases where the channel spacing is not higher than the manufacturer's declared sub-channel bandwidth, the channel spacing is defined as the minimum contiguous segment of bandwidth made available to the FH-CDMA system

assigned band: aggregation of all RF channels assigned to a FH-CDMA system. The assigned band may consist of several non-contiguous RF channels (see figure 1)

sub-channel: integer sub-division of the RF channel(s) as determined by the equipment manufacturer (see figure 1)

Frequency hopping (FH): spread spectrum technique whereby individual radio links are continually switched from one sub-channel to another. Such links are not constrained to a single RF channel

dwell time: duration of a transmission on a particular sub-channel

transition time: period between successive transmissions on different sub-channels during which no transmission is made

hopping sequence: sequence of sub-channels which a particular link follows

hopping period: time between the starts of successive transmissions on a different sub-channel. This is the sum of dwell time and transition time

slow frequency hopping: FH technique where the hopping period is larger than the symbol period

round trip delay: sum of the delays from points F to G and from G to F in figure 2, including any repeaters if appropriate

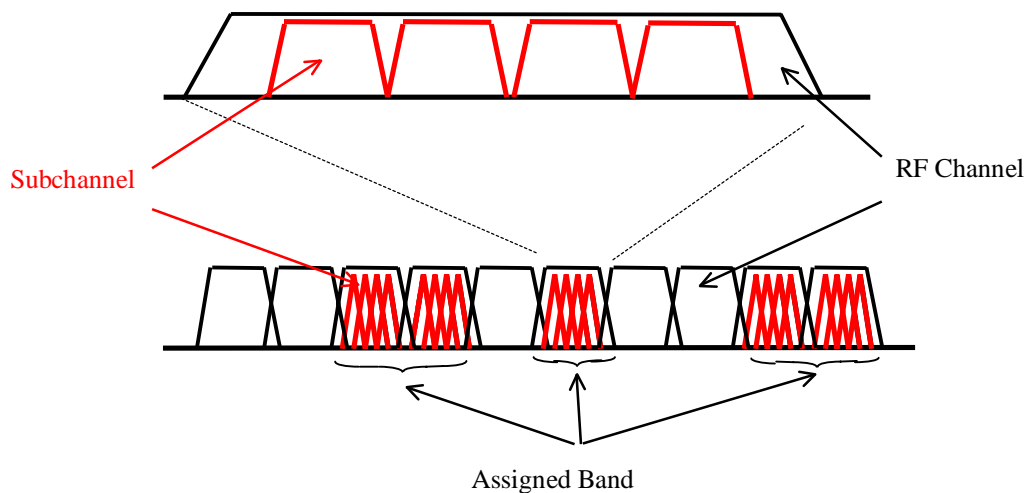


Figure 1: Relationship between "sub-channel", "RF channel" and "assigned band"

3.2 Symbols

For the purposes of the present document, the following symbols apply:

dB	decibel
dBm	decibel relative to 1 mW
GHz	Gigahertz
Hz	Hertz
kbit/s	kilobits per second
kHz	kilohertz
Mbit/s	Millions of bits per second
MHz	Megahertz
ms	millisecond
mW	milliwatt
ppm	parts per million
Ω	ohms
s	seconds
V	Volts

3.3 Abbreviations

For the purposes of the present document, the following abbreviations apply:

ac	alternating current
ATPC	Automatic Transmit Power Control
BER	Bit Error Ratio
BW	Bandwidth
CCS	Central Controller Station
CSMA/CD	Carrier Sense Multiple Access with Collision Detection
CRS	Central Radio Station
CS	Central Station
CSmin	minimum practical Channel Separation (for a given radio-frequency channel arrangement)
DAMA	Demand Assigned Multiple Access
CW	Continuous Wave
EMC	Electromagnetic Compatibility
MOS	Mean Opinion Score
FSK	Frequency-Shift Keying
F_0	Centre of a radio frequency channel
FH	Frequency Hopping
FH-CDMA	Frequency Hopping Code Division Multiple Access
ISDN	Integrated Services Digital Network
P-MP	Point-to-Multipoint
PAMA	Pre-Assigned Multiple Access
PDN	Private Data Network
PRBS	Pseudo Random Bit Sequence
PSTN	Public Switched Telephone Network
QDU	Quantization Distortion Unit
RF	Radio Frequency
Rx	Receiver
RS	Repeater Station
RTPC	Remote Transmit Power Control
TE	Terminal Equipment
TS	Terminal Station
Tx	Transmitter

4 General system architecture

A system could consist of physical sub systems as follows (see figure 2).

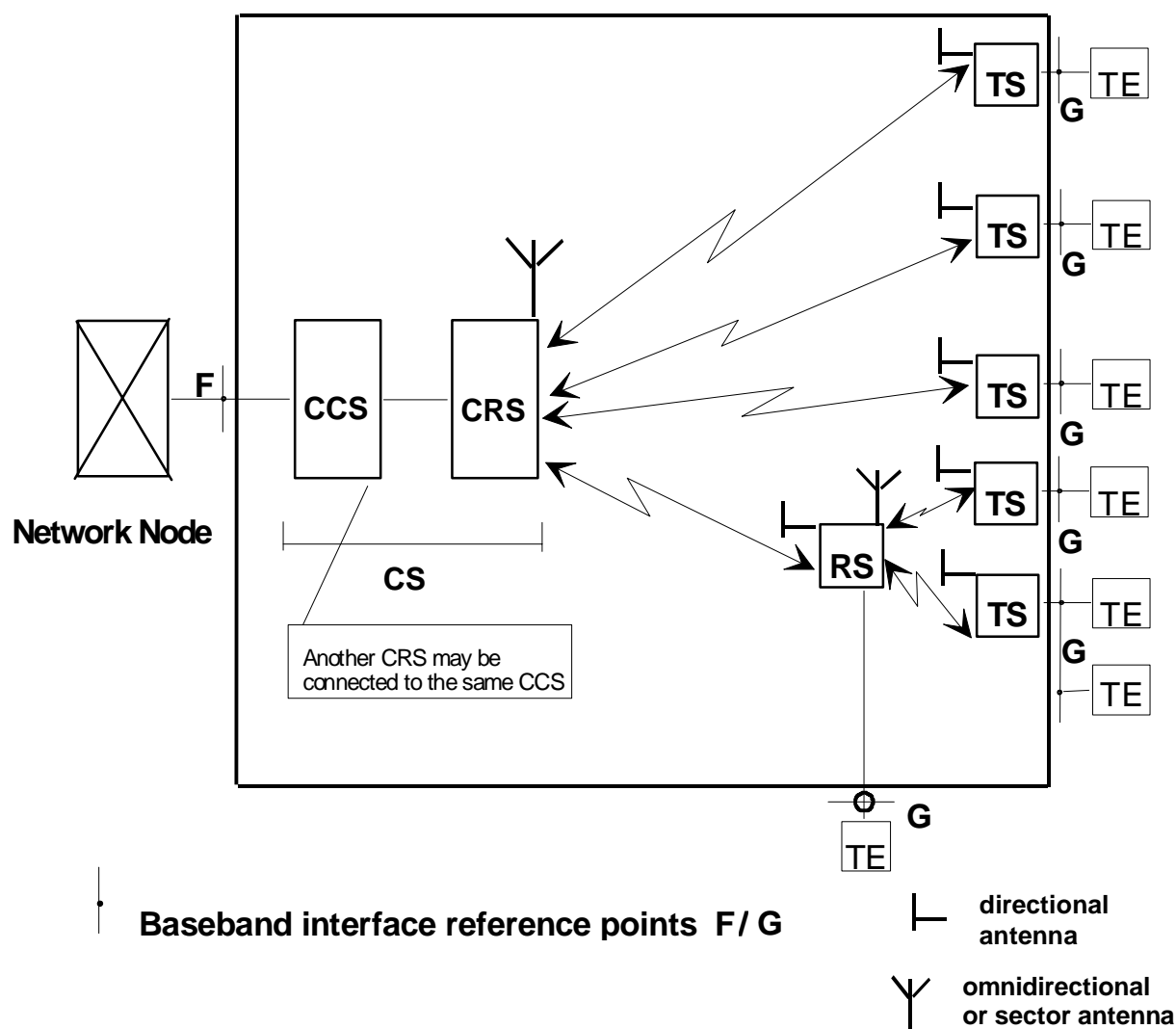


Figure 2: General system architecture

4.1 Sub-system components

- **TS:** Terminal station (outstations with subscriber interfaces). A TS may serve more than one Terminal Equipment (TE);
- **RS:** Repeater Station (radio repeater outstations with or without subscriber interfaces). A RS may serve one or more TS;
- **F:** Point of connection to the network node (such as a local switch);
- **G:** Point(s) of connection for subscriber equipment;
- **CS:** Central Station which may be subdivided into two units:
 - the Central Controller Station (**CCS**) also called the exchange unit which is the interface to the local switch;
 - the Central Radio Station (**CRS**) also called the radio unit which is the central baseband / radio transceiver equipment. More than one CRS may be controlled by one CCS.

The central station performs the interconnection with the network node (local exchange) carrying out a concentration function by sharing the total number of available channels in the system. The central station is linked by microwave transmission paths to each TS either directly or via one or more RS.

Whenever an existing digital transmission link is available, the network implementation can be optimized by separating the CCS, installed at the exchange site, and the CRS.

The general characteristics which are typical for P-MP systems are considered in the present document. These characteristics have been categorized under four headings.

- 1) System characteristics;
- 2) Radio characteristics;
- 3) Types of subscriber equipment and network exchange interface;
- 4) Power supply and environmental characteristics.

4.2 System characteristics

4.2.1 Transmission error performance

Equipment with system rate lower than 32×64 kbit/s, or equivalent, shall be designed to be able to meet network performance and availability requirements specified by ITU-T Recommendation G.821 [4] following the criteria defined in ITU-R Recommendation F.697-2 [17] for the local grade portion of the digital connection.

Equipment with system rate equal to, or greater than, 32×64 kbit/s, or equivalent, shall be designed in order to meet network performance and availability requirements foreseen by ITU-T Recommendations G.826 (see Bibliography) and G.827 [29] for the criteria defined in ITU-R Recommendations F.1189-1 [27] and F.557-4 [28] for the national portion of the digital connection.

4.2.2 Round trip delay

The round trip delay for a 64 kbit/s traffic channel shall not exceed 20 ms.

Longer round trip delays may result at other bit rates and when using speech coding at rates lower than 64 kbit/s. In order to guarantee that the additional delay introduced by the system into the transmission network does not degrade the quality of telephone communication, compliance with ITU-T Recommendation G.131 [22] shall be ensured.

4.2.3 Transparency and voice coding methods

The system shall be transparent: the exchange and the subscriber equipment (points F and G in figure 2) communicate with each other without being aware of the radio link. The system should be transparent to analogue or digital subscriber equipment and to voiceband data signals. However, advantage may be taken of coding methods at rates lower than 64 kbit/s to conserve radio spectrum, provided that the above transparency is maintained.

At least one of the following standard coding methods could be employed:

- 64 kbit/s: ITU-T Recommendation G.711 [13] (which will permit full transparency and a direct digital interface to digital switches);
- 32 kbit/s: ITU-T Recommendation G.726 [14];
- 16 kbit/s: ITU-T Recommendation G.728 [15];
- 8 kbit/s: ITU-T Recommendation G.729 [16];
- 6,3 kbit/s: ITU-T Recommendation G.723.1 [21].

Other voice coding methods may be employed if the quality (measured for example in QDU or MOS) is equivalent to the above. The coding method used shall be declared by the manufacturer.

4.2.4 TMN interface

TMN interface, if any, shall be in accordance with ITU-T Recommendation G.773 [11].

4.2.5 Synchronization

Systems employing digital interfaces shall include methods enabling internal and external synchronization to the network.

4.2.6 Frequency hopping characteristics

The hopping period shall not exceed 400 ms.

5 Radio characteristics

5.1 Frequency bands

Five frequency plans presently available to be allocated for digital P-MP systems: two in the 1,5 GHz band, one each in the 2,2 GHz, 2,4 GHz and the 2,6 GHz band. Assignment of these frequencies is subject to the relevant (national) authorities.

5.2 Channel arrangement

Table 1: Frequency bands

Frequency band	Band limits	Recommendation
1,5 GHz (I)	1 350 MHz to 1 375 MHz and 1 492 MHz to 1 517 MHz	CEPT T/R 13-01 [7] annex A
1,5 GHz (II)	1 375 MHz to 1 400 MHz and 1 427 MHz to 1 452 MHz	CEPT T/R 13-01 [7] annex B
2,2 GHz	2 025 MHz to 2 110 MHz and 2 200 MHz to 2 290 MHz	CEPT T/R 13-01 [7] annex C
2,4 GHz	2 300 MHz to 2 500 MHz	ITU-R Recommendation F.701-2 [8]
2,6 GHz	2 520 MHz to 2 670 MHz	CEPT T/R 13-01 [7] annex D

The RF channel (or channels) comprising the assigned band shall (each) comply with one of the channel arrangements recommended in CEPT T/R 13-01 [7] or ITU-R Recommendation F.701-2 [8].

5.3 System capacity

The supplier shall declare the maximum number of simultaneous duplex 64 kbit/s channels or the bit rates which the equipment is designed to carry for each channel spacing supported. Such declared capacity shall not be less than either 8 x 64 kbit/s channels or 500 kbit/s for each 1 MHz of channel spacing. Examples of the required capacity appear in table 2.

Table 2: System capacity for some typical channel spacings

Channel spacing (MHz)	1,0	2,0	3,5	7,0	14,0
Minimum number of 64 kbit/s channels	8	16	28	56	112
Equivalent Bit Rate (Mbit/s)	0,5	1,0	1,75	3,5	7,0

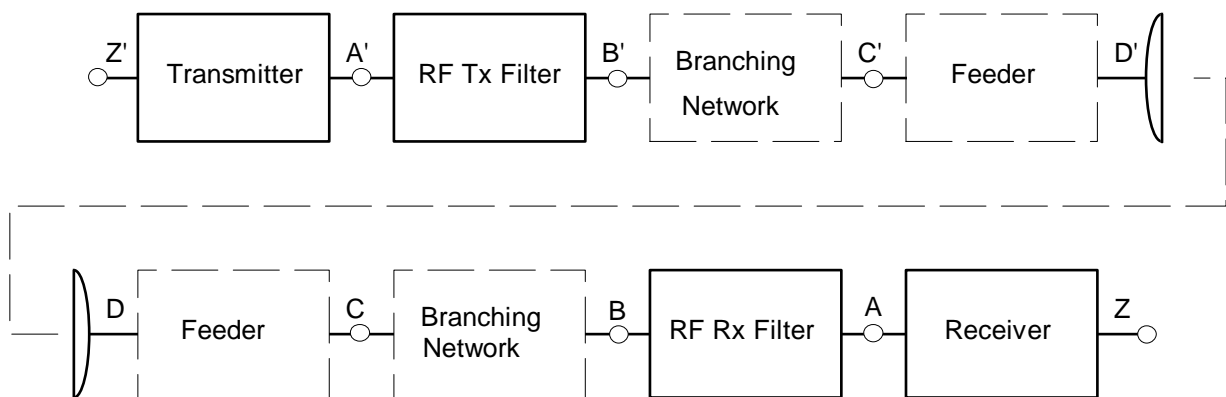
NOTE: Any other equivalent transmission capacity may be transported, e.g. instead of 112 x 64 kbit/s a capacity of 56 x 128 kbit/s can be transmitted.

5.4 Transmitter characteristics

5.4.1 Tx power range

The output power for a fully loaded system shall not exceed 43 dBm at point C' of the RF System block diagram (figure 3). An internal or external means of adjustment shall be provided.

The transmitted output power means the value measured where the output is connected to a dummy load i.e. power meter or spectrum analyser. The transmitter is then modulated with a 64 kbit/s PRBS test data signal (or lower rate if the system uses compressed voice techniques) to simulate traffic.



NOTE: Points B & C and B' & C' will coincide if branching networks are not used.

Figure 3: RF system block diagram

5.4.2 Transmit power control

5.4.2.1 Automatic Transmit Power Control (ATPC)

ATPC is an optional feature. Equipment with ATPC will be subject to manufacturer declaration of the ATPC ranges and related tolerances. Testing shall be carried out with output power levels corresponding to:

- ATPC set manually to a fixed value for system performance;
- ATPC set at maximum provided output power for Tx performance.

5.4.2.2 Remote Transmit Power Control (RTPC)

RTPC is an optional feature. Equipment with RTPC will be subject to manufacturer declaration of the RTPC ranges and related tolerances. Testing shall be carried out with output power levels corresponding to:

- RTPC set manually to the maximum and to the minimum values for system performance;
- RTPC set at a maximum provided output power for Tx performance;
- RF spectrum mask shall be verified at three points (lower medium and upper part of the assigned band) if applicable. Tx power control shall be set to the maximum value.

5.4.3 Spectrum mask

5.4.3.1 Spectrum density mask

The spectrum mask is given in figure 4. No allowance is made for frequency tolerance.

The transmitted output power spectrum is defined as: the spectrum when modulated with a test data signal that simulates a system operating with all sub-channels in the RF channel occupied.

The spectrum measurement at point C' of RF system block diagram in figure 3, shall be performed with the maximum hold function selected on the spectrum analyser.

The reference level of the output spectrum means that the 0 dB level is the top of the modulated spectrum, disregarding the residual carrier.

Table 3: Spectrum analyser settings

Resolution BW	Video BW	Sweep time
30 kHz	300 Hz	10 s
NOTE: Where practical, the spectrum analyser sweep is to be synchronized to the hopping sequence.		

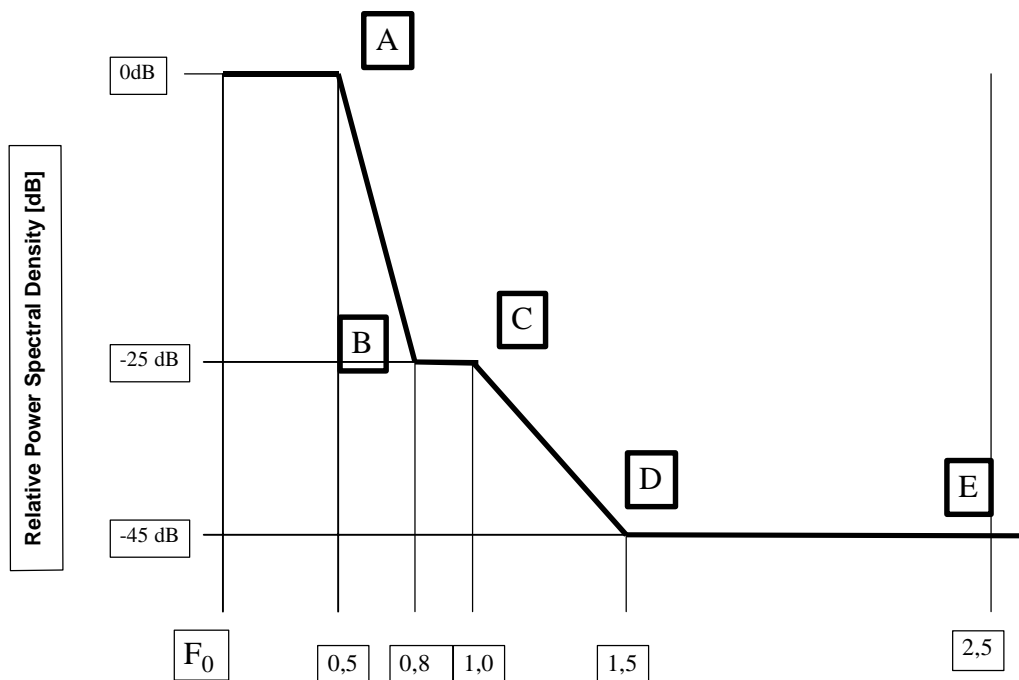


Figure 4: FH-CDMA spectrum mask normalized for channel spacing

Table 4: Channel spacing against spectrum mask reference points

Relative Level→	Point A 0 dB	Point B -25 dB	Point C -25 dB	Point D -45 dB	Point E -45 dB
Channel spacing (MHz) ↓	0,5 × Channel spacing (MHz)	0,8 × Channel spacing (MHz)	1,0 × Channel spacing (MHz)	1,5 × Channel spacing (MHz)	2,5 × Channel spacing (MHz)
1,0	0,5	0,8	1,0	1,5	2,5
2,0	1,0	1,6	2,0	3,0	5,0
3,5	1,75	2,8	3,5	5,25	8,75
7,0	3,5	5,6	7,0	10,5	17,5
14,0	7,0	11,2	14,0	21,0	35,0

NOTE: For other channel spacings, points A, B, C, D, E are derived from the expression in the second row of this table.

5.4.3.2 Discrete CW components exceeding the spectrum mask limit (all stations)

In case some CW components exceed the spectrum mask, an additional allowance is given.

Those lines shall not:

- exceed the mask by a factor more than $\{10 \log (CS_{\min}/IF_{bw}) - 10\}$ dB (Note)
- be spaced each other in frequency by less than CS_{\min}

Where:

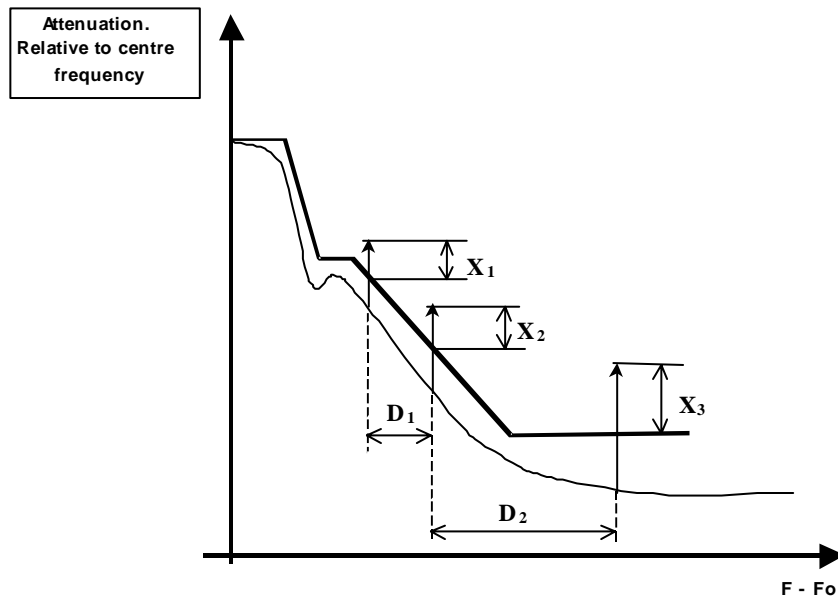
$CS_{\min} = 25$ kHz for the band 1,5 GHz

$CS_{\min} = 500$ kHz for the band 2,2 GHz, 2,4 and 2,6 GHz

IF_{bw} is the recommended resolution bandwidth, expressed in kHz reported in table 3.

NOTE: In case the calculation of the allowance factor will result in a negative value, no additional allowance is then permitted.

Figure 5 shows a typical example of this requirement.



$$X_1, X_2, X_3 \text{ [dB]} \leq 10\log(\text{CSmin}/\text{IFbw})-10$$

$$D_1, D_2 \geq \text{CSmin}$$

Figure 5: CW lines exceeding the spectrum mask (typical example)

5.4.4 Transmitter spurious emissions

Outside the frequency range $\pm 250\%$ of the relevant channel spacing, across the nominal centre frequency, CEPT/ERC/Recommendation 74-01 [31] shall apply.

5.4.5 Radio frequency tolerance

Maximum RF tolerance shall not exceed 20 ppm. This includes both short term factors and long term ageing effects. For the purpose of type testing, the manufacturer shall state the guaranteed short term part and the expected ageing part.

5.5 Receiver characteristics

5.5.1 Input level range

The BER shall be less than 10^{-3} for an input level range which exceeds 40 dB.

5.5.2 Spurious emissions

CEPT/ERC/Recommendation 74-01 [31] shall apply.

5.5.3 BER performance

With all sub-channels in the RF channel occupied, the BER versus receive signal power level, referred to point C of the system block diagram (figure 3) shall be equal to, or better than, the values in table 5.

Table 5: Receiver signal levels (dBm) for BER 10^{-3} and 10^{-6} at various bit rates

Bit rate	BER 10^{-3}	BER 10^{-6}
0,5 Mbit/s	-94	-90
1,0 Mbit/s	-91	-87
1,75 Mbit/s	-89	-85
3,5 Mbit/s	-86	-82
7,0 Mbit/s	-83	-79

NOTE 1: For these systems the reference levels may be calculated from the following formulas:
 For BER = 10^{-3} $(-91 + 10\log_{10}[\text{bit rate Mbit/s}])$ dBm
 For BER = 10^{-6} $(-87 + 10\log_{10}[\text{bit rate Mbit/s}])$ dBm

NOTE 2: Incoherent demodulation may be used for packet data applications. When incoherent demodulation and higher modulation states are used, the signal levels specified above are increased by 7 dB for 4FSK modulation and 15 dB for 8FSK modulation.

5.5.4 Interference sensitivity

5.5.4.1 Co channel interference sensitivity

All receive signal levels and interference level measurements are referred to point C of the system block diagram, given in figure 3.

For a system with all sub-channels in the RF channel occupied, each at a level greater by 1 or 3 dB than the level specified in table 5 for BER 10^{-6} , an applied additional co-channel interferer with uncorrelated like-modulation, at the levels indicated in table 6, shall not cause the BER to exceed 10^{-6} .

Table 6: Co channel sensitivity for BER = 10^{-6}

Threshold Degradation →	1 dB	3 dB
Sub-channel Spacing MHz ↓	Interference level (dBm)	Interference level (dBm)
1,0	-117	-111
2,0	-114	-108
3,5	-112	-106
7,0	-109	-103
14,0	-106	-100

5.5.4.2 Adjacent channel interference sensitivity

All receive signal levels and interference level measurements are referred to point C of the system block diagram, given in figure 3.

For a received signal at a level greater by 1 dB or 3 dB than the level specified in table 5 for BER 10^{-6} , an applied additional adjacent channel interferer with uncorrelated like-modulation, at the levels indicated in table 7, shall not cause the BER to exceed 10^{-6} .

Table 7: Adjacent channel sensitivity for BER = 10^{-6}

Threshold Degradation →	1 dB	3 dB
Sub-channel Spacing MHz ↓	Interference level (dBm)	Interference level (dBm)
1,0	-101	-95
2,0	-98	-92
3,5	-96	-90
7,0	-93	-87
14,0	-90	-84

5.5.4.3 Broadband CW interference rejection capability

For a receiver operating at the received signal level specified in clause 5.5.3 for 10^{-6} BER threshold, the introduction of a CW interferer at a level of +30 dB with respect to the wanted signal and at any frequency up to 26 GHz, excluding frequencies up to 450 % of the channel spacing either side of the assigned band, shall not result in a BER greater than 10^{-5} . This is considered equivalent to a 1 dB degradation of the 10^{-6} BER threshold.

5.6 Antenna port characteristics

5.6.1 RF interface

For equipment without an integral antenna, the RF interface at reference points C and C' of the RF system block diagram (figure 3) shall be coaxial 50 Ω . The connectors shall conform with IEC 60169-1 [23] or IEC 60339-1 [24] and IEC 60339-2 [25].

5.6.2 Return loss

For equipment without an integral antenna, the return loss at reference points C and C' of the RF system block diagram (figure 3) shall be more than 10 dB at the reference impedance.

6 Types of subscriber equipment and network exchange interface

The equipment covered by the present document shall use one or more ETSI, ITU or ISO/IEC (JTC1) standardized interfaces, the more common of which are listed in table 8.

Table 8: Types of interface

Subscriber equipment interfaces	
Analogue (2 wires)	ITU-T Recommendation Q.552 [3]
Analogue (4 W + E & M)	ITU-T Recommendation Q.553 [2]
Telex	ITU-T Recommendation R.20 [5] and V-series [6]
Digital data port	ITU-T Recommendation G.703 [32], X [33] and V-series [6]
ISDN basic rate	ETS 300 012 [1]
CSMA/CD Ethernet	ISO/IEC 8802-3 [30]
Network interfaces	
2 Mbit/s	ITU-T Recommendation G.703 [32]
Analogue (2 wires)	ITU-T Recommendation Q.552 [3]
Analogue (4 W + E & M)	ITU-T Recommendation Q.553 [2]
Telex	ITU-T Recommendation R.20 [5] and V-series [6]
Digital data port	ITU-T Recommendation G.703 [32], X [33] and V-series [6]
ISDN basic rate	ETS 300 012 [1]
ISDN + Analogue subscribers + Leased lines	V5.1/V5.2 (ETS 300 324 [18]/ ETS 300 347 [19])
2 Mbit/s Interface	ITU-T Recommendation G.703 [32]
CSMA/CD Ethernet	ISO/IEC 8802-3 [30]
NOTE: Further ITU, ETSI or ISO/IEC (JTC1) standardized interfaces may be implemented. The use of non-standardized interfaces is outside the scope of the present document.	

7 Power supply and environmental characteristics

7.1 Power Supply

If the power supply operates at one or more nominal voltage ranges foreseen by ETS 300 132 [10], then the power supply interface shall be in accordance with the corresponding parts of that standard. For 230 V AC and 48 V DC the interfaces shall be in accordance with the characteristics foreseen by ETS 300 132 [10] parts 1 and 2 [10], respectively.

NOTE: Some applications may require power supply voltage ranges that are not covered by ETS 300 132 [10].

7.2 Environmental Conditions

The equipment shall meet the environmental conditions set out in ETS 300 019 [9] which defines weather-protected and non weather-protected locations classes and test severity.

7.2.1 Equipment within weather-protected locations

Equipment intended for operation in temperature controlled locations or partially temperature controlled locations shall meet the requirements of ETS 300 019 [9] classes 3.1 and 3.2 respectively.

Optionally, the more stringent requirements of ETS 300 019 [9] classes 3.3 (Non-temperature controlled locations), 3.4 (Sites with heat trap) and 3.5 (Sheltered locations) may be applied.

7.2.2 Equipment for non weather-protected locations

Equipment intended for operation in non weather-protected locations shall meet the requirements of ETS 300 019 [9], class 4.1 or 4.1E.

Class 4.1 applies to many European countries and class 4.1E applies to all European countries.

Weather-protected equipment conforming to class 3.3, 3.4, 3.5 together with an enclosure or cabinet may fulfil the requirements for operating in a non weather-protected environment but this is outside the scope of the present document.

7.3 Electromagnetic Compatibility Conditions

Equipment shall operate under the conditions of EN 300 385 [12].

Annex A (informative): Bibliography

ETSI EN 300 339: "Electromagnetic compatibility and Radio spectrum Matters (ERM); General ElectroMagnetic Compatibility (EMC) for radio communications equipment".

ITU-T Recommendation G.826 (1999): "Error performance parameters and objectives for international, constant bit rate digital paths at or above the primary rate".

History

Document history		
V1.1.1	September 1999	Publication
V1.2.1	October 2000	One-step Approval Procedure OAP 20010216: 2000-10-18 to 2001-02-16
V1.2.1	February 2001	Publication